

BOPLA-ARTEB



This hand-held enclosure series made of ABS combines ergonomic design, flexibility, IP 65 protection and high functionality, all to the user's advantage.

The unified design concept which ranges over 6 sizes in combination with cover caps in various colours gives any electronics individualised good looks.

BOPLA-ARTEB offers different possibilities for individual voltage supplies to suit your enclosure application.

With over 4000 possible combinations, the BOPLA-ARTEB-series is perfect for dealing with customer-specific requirements.

<p>Enclosure material:ABS; for technical data see pages 646-651.</p> <p>Colour: Agate grey, similar to RAL 7038. Minimum order quantities 300+ for RAL 7024, RAL 7032, RAL 7035 and RAL 9005, prices on request. Special colours and minimum order quantities on request.</p> <p>Ingress protection: ART 115: IP 40/DIN EN 60529; ART 225 up to 865: IP 40/DIN EN 60529, can be increased to IP 65/DIN EN 60529 with set of seals ART...DI.</p>	<p>Accessories (additional charge):</p> <p>SV-HB: Snap lock – hand-operated SV-SR: Snap lock – blocking BTU...: Partition for battery compartment BH...: For battery holders, see p. 494 BEU...: Battery shaft for battery holder ART...DI: Seal set</p> <p>Membrane keypads starting on page 582.</p> <p>Universal docking station UDS starting on page 606.</p> <p>Matching displays available on request.</p>	<p>Note:</p> <p>– Packing unit system components 5 pcs – Packing units accessories 5 or 10 pcs</p> <p>KO/KU caps and one display screen may be necessary to complete an enclosure, depending on the enclosure type (see product pages).</p>
--	---	--

The BOPLA-ARTEB enclosure series is available in 6 dimensions. The front/rear sides have different designs and can be used alternatively as a unit front. Depending on the size, snap-on caps are available as standard in 6 different colours and an infra-red-permissive variant. Power supply to the electronics is variable according to the size: 2 - 4 micro batteries, 2 - 6 mignon batteries and 1 - 2 9V block batteries. The batteries are fitted behind the caps, as is an additional front panel (if required). This design concept permits standard ingress protection IP 40 to be increased to IP 65 if necessary (not with BOPLA-ARTEB 115). Up to 3 PCB installation levels are available for a customer-specific enclosure design. All sizes are available with a continuous membrane keypad surface; 4 sizes additionally with display opening and non-scratch window which also contains mounting bosses for standard displays.

Of course, the BOPLA-ARTEB enclosure series can be combined with BOPLA membrane keypads and with electronics manufactured individually by BOPLA. If the units are used with a display window, we can also arrange printing.

The following table will give you an overview of the complete BOPLA-ARTEB product range.

Enclosures	Size in mm			Variants		Ingress prot.			Power supply from						
	L	W	H	Continuous membrane area	Display application	IP 40	Upgradable to IP 65	2x micro	4x micro	2x mignon	3x mignon	4x mignon	6x mignon	1x 9V block	2x 9V block
BOPLA-ARTEB 115	78	45	18	✓		✓		✓							
BOPLA-ARTEB 225 ¹⁾	95	55	20	✓		✓	✓	✓							
BOPLA-ARTEB 335 ¹⁾	130	75	26	✓	✓	✓	✓		✓	✓	✓			✓	
BOPLA-ARTEB 555 ¹⁾	165	82	30	✓	✓	✓	✓			✓	✓			✓	✓
BOPLA-ARTEB 655 ¹⁾	204	110	41	✓	✓	✓	✓			✓		✓	✓	✓	✓
BOPLA-ARTEB 865 ¹⁾	236	125	41	✓	✓	✓	✓			✓		✓	✓	✓	✓

1) Can be combined with the universal docking station

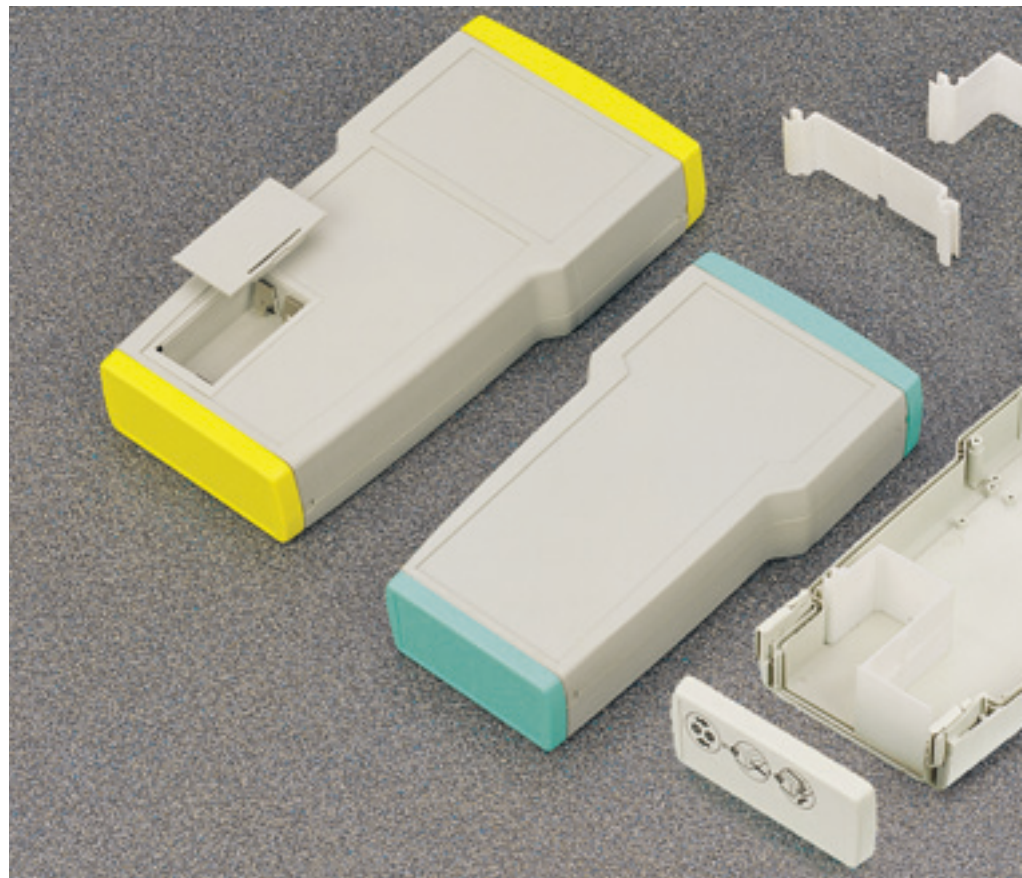


Welcome to BOPLA City!

BOPLA-ARTEB

Because of its innovative battery compartment design, the BOPLA-ARTEB hand-held enclosure series offers a wide range of possibilities for individual voltage supplies to suit your enclosure application.

For models ART 555-865 there is an additional enclosure variant with a fitted battery compartment (ingress protection IP 40). Two different battery compartments are available. Both (BE 30 and BE 60) are easily accessible from the exterior via a lid with a snap lock in the enclosure base.



Universal Docking Station UDS

Almost the entire BOPLA-ARTEB programme can be combined with the universal docking station UDS for data and power transfer. Information on the use of the UDS is provided on the BOPLA-ARTEB product pages and on page 606 ff.



BOPLA-ARTEB 555-865 with battery compartment BE 30

The battery compartment permits the use of 2 mignon batteries or 1 9V block battery.



BTU partitions

BOPLA-ARTEB also offers the possibility of separating the electronic components from the power supply by means of a partition.

This ensures that if a battery needs to be replaced, the user cannot gain access to the enclosure electronics.

Access to the batteries is via the enclosure caps, which can only be opened as standard by using a tool (for ART 555-865).

However, if necessary, hand-operated snap locks can also be ordered (see BOPLA-ARTEB accessories).

Various partitions can be supplied to correspond to individual power supply requirements.

By using the sealing set (see accessories) the ingress protection category can be increased to IP 65 (not for BOPLA-ARTEB 115).

For data and power transfer, all BOPLA-ARTEB enclosures with a partition can be combined with the universal docking station UDS. Information on the UDS is provided on page 606 ff.

Please note that the batteries and the battery holder are not included in the scope of delivery and must be ordered separately.



BOPLA-ARTEB 555-865 with battery compartment BE 60

The battery compartment permits the use of 4 mignon batteries or 2 9V block batteries.



BOPLA-ARTEB 115



BOPLA-ARTEB 115 F

The hand-held enclosure with an individual touch, made from robust ABS, with a continuous membrane area. Consists of a lid and a base. Details of matching caps are shown on the right. BOPLA-ARTEB 115 F is designed for your custom membrane keypad or for our standard membrane keypad FT 11506 D. Details of accessories for the power supply are given on page 494.

BOPLA-ARTEB 115

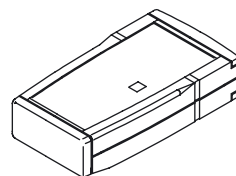
Order designation		External dimensions in mm					PU
Model	Order no.	L	W	H	Type		
ART 115 F	34111511	78	45	18	with continuous membrane area	5 pcs	

34.8 x 56.9 x 1.5 mm deep

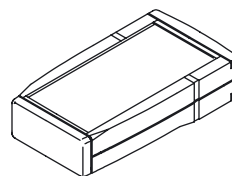
Scope of delivery:
Lid and base, screw, screw cover.

Please order caps separately.

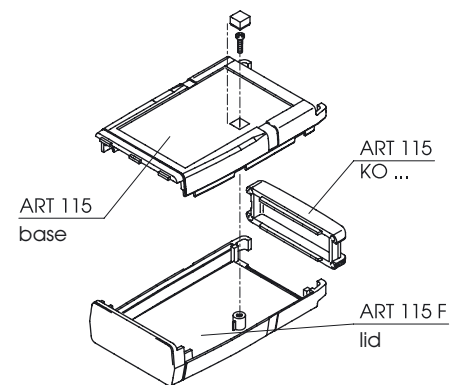
Note:
If you wish to leave the enclosure completely accessible, there is no need for the screwing systems, and only the screw covers provide a flush close for the base.



ART 115
view from underneath



ART 115
view from on top



Z-2801643-E

Caps

Order designation		Colour	PU
Model	Order no.		
ART 115 KO-7038	34111521	● Agate grey, similar to RAL 7038	5 pcs
ART 115 KO-6027	34111522	● Light green, similar to RAL 6027	5 pcs
ART 115 KO-1016	34111523	● Sulphur yellow, sim. to RAL 1016	5 pcs
ART 115 KO-7037	34111524	● Dust grey, similar to RAL 7037	5 pcs
ART 115 KO-3000	34111525	● Flame red, similar to RAL 3000	5 pcs
ART 115 KO-5015	34111527	● Sky blue, similar to RAL 5015	5 pcs
ART 115 KO-IR	34111526	● Black, infrared-permissive	5 pcs

KO = cap at top IR = infrared-permissive

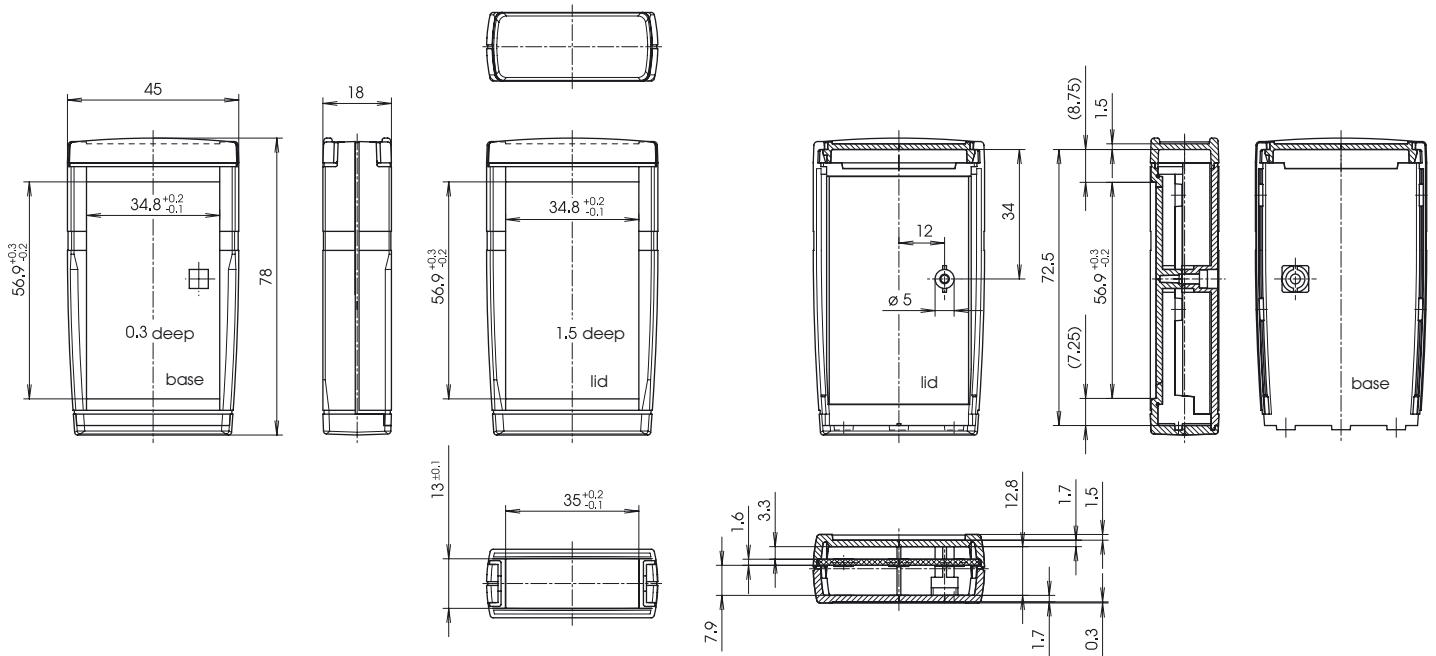
Material: ABS; infrared-permissive caps: PC



BOPLA-ARTEB caps for ART 115

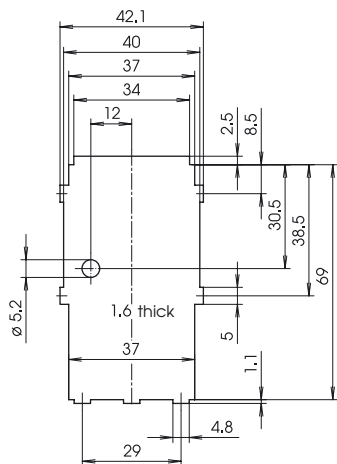
These caps are used to close the hand-held enclosure at the top. 6 different cap colours give each enclosure a very individual appearance. For IR remote control applications you can order infrared-permissive caps. A screwdriver is needed to disassemble the caps.

BOPLA-ARTEB 115

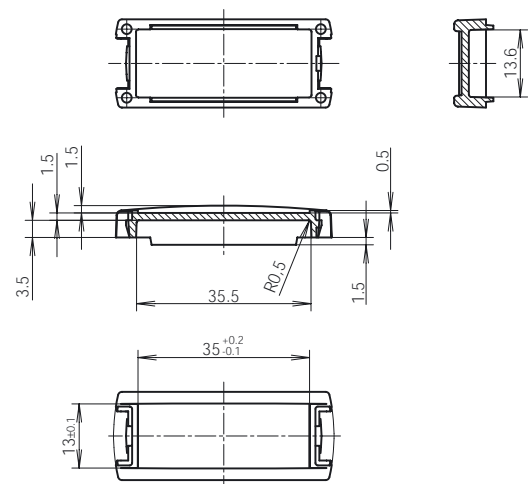


Z-2801643

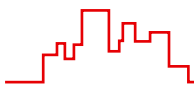
Maximum PCB dimensions



Cap at top



The PCB is clamped between the lid and the base.



BOPLA-ARTEB 225



BOPLA-ARTEB 225 F

The hand-held enclosure with an individual touch, made from robust ABS, with a continuous membrane area. Consists of a lid and a base. For caps to match the enclosure and the seal set, please see the following pages.

BOPLA-ARTEB 225 F is designed for your custom membrane keypad or for our standard membrane keypad FT 22506 D. Details of accessories for the power supply are given on page 494.

On both sides of the cap a plug-in groove is provided between the base and the lid for front panels or mounting plates. For example, this makes it possible to use transfer connectors during field use with IP 65 protection.

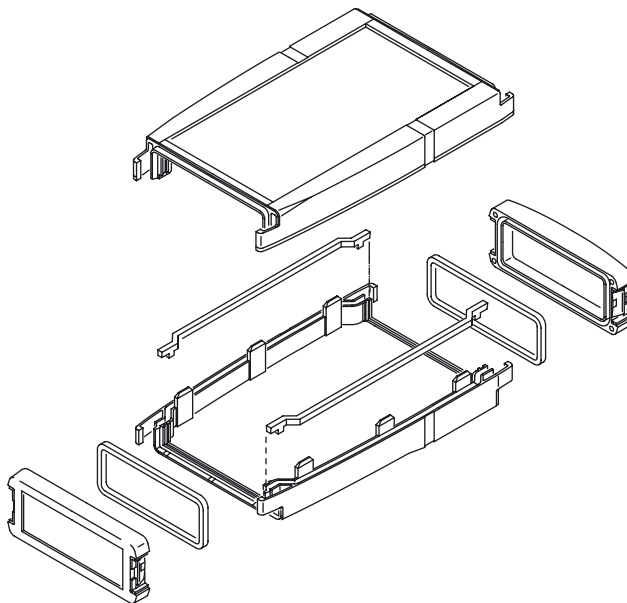
BOPLA-ARTEB 225

Order designation		External dimensions in mm					PU
Model	Order no.	L	W	H	Type		
ART 225 F	34122511	98	55	20	with continuous membrane area 42 x 74.4 x 1.5 mm deep in the lid	5 pcs	

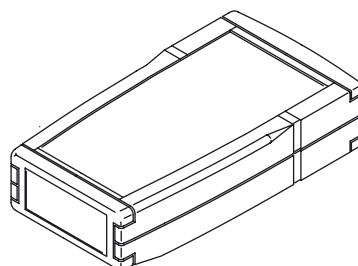
Scope of delivery:
Lid and base.

Please order caps separately.

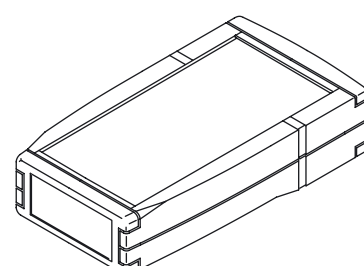
Note:
For data and power transfer, the enclosure can be combined with the universal docking station UDS. For details see pages 606 ff.



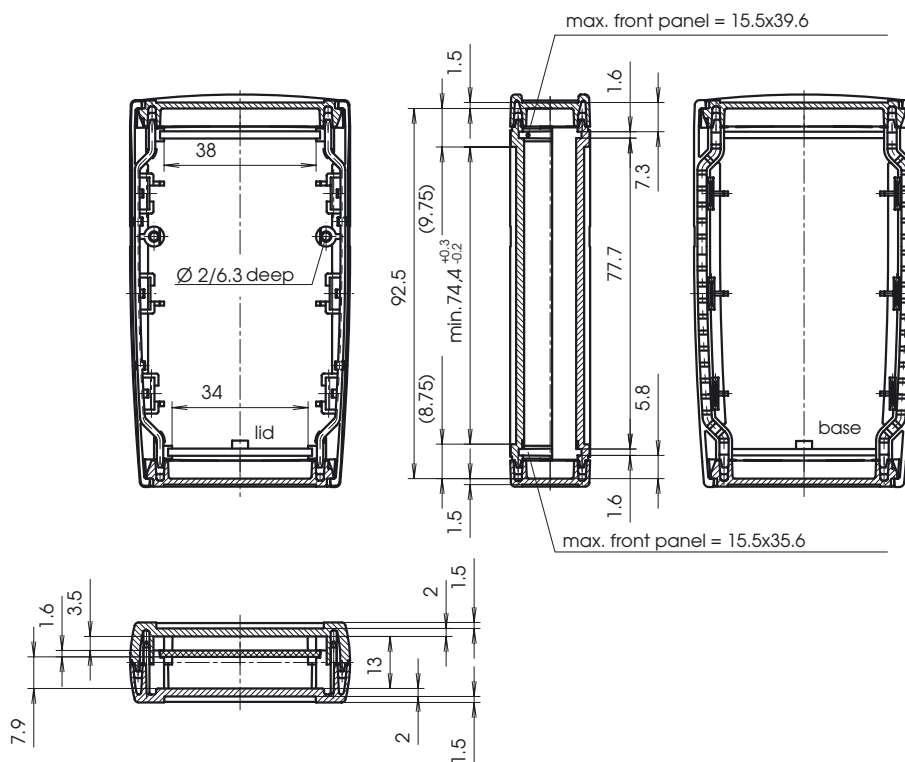
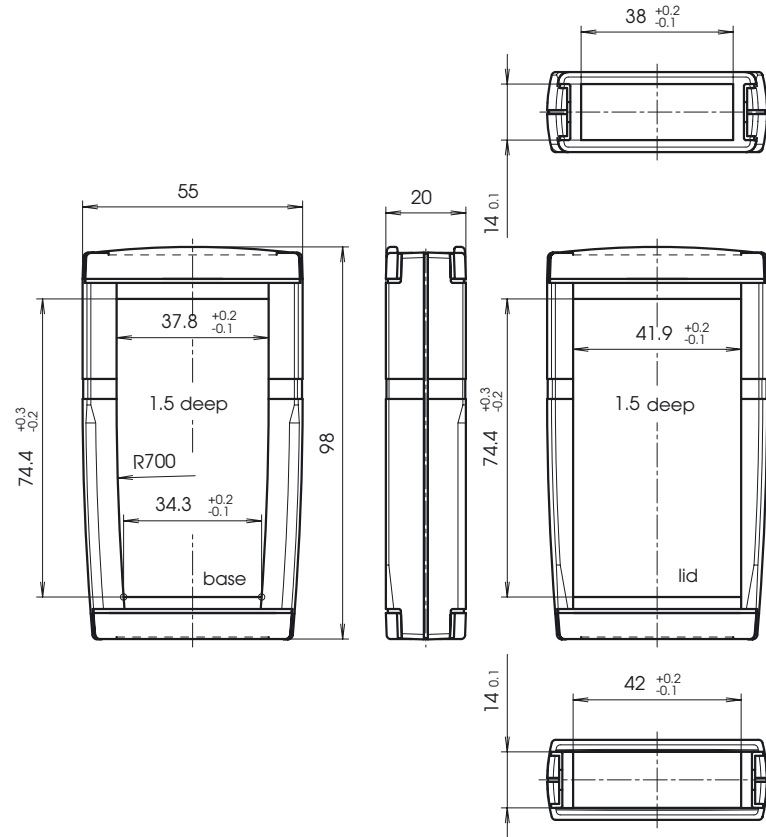
ART 225 F
View from underneath
(can also be used as front)



ART 225 F
View from on top



BOPLA-ARTEB 225





Welcome to BOPLA City!

BOPLA-ARTEB 225



BOPLA-ARTEB caps for ART 225
 These caps are used to close the hand-held enclosure at the top and at the base.
 6 different cap colours give each enclosure a very individual appearance. For IR remote control applications you may use infrared-permissive caps.
 A screwdriver is needed to disassemble the caps.

Caps

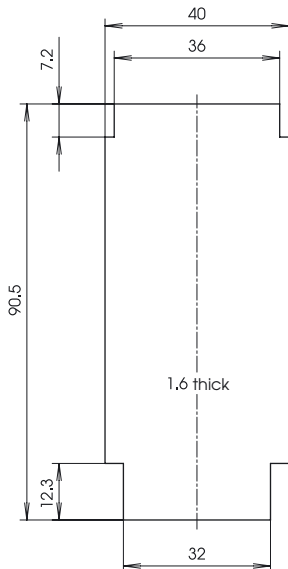
Order designation

Model	Order no.	Colour	PU
ART 225 KO-7038	34122521	● Agate grey, similar to RAL 7038	5 pcs
ART 225 KU-7038	34122531	● Agate grey, similar to RAL 7038	5 pcs
ART 225 KO-6027	34122522	● Light green, similar to RAL 6027	5 pcs
ART 225 KU-6027	34122532	● Light green, similar to RAL 6027	5 pcs
ART 225 KO-1016	34122523	● Sulphur yellow, sim. to RAL 1016	5 pcs
ART 225 KU-1016	34122533	● Sulphur yellow, sim. to RAL 1016	5 pcs
ART 225 KO-7037	34122524	● Dust grey, similar to RAL 7037	5 pcs
ART 225 KU-7037	34122534	● Dust grey, similar to RAL 7037	5 pcs
ART 225 KO-3000	34122525	● Flame red, similar to RAL 3000	5 pcs
ART 225 KU-3000	34122535	● Flame red, similar to RAL 3000	5 pcs
ART 225 KO-5015	34122527	● Sky blue, similar to RAL 5015	5 pcs
ART 225 KU-5015	34122537	● Sky blue, similar to RAL 5015	5 pcs
ART 225 KO-IR	34122526	● Black, infrared-permissive	5 pcs

KO = cap at top KU = cap at bottom IR = infrared-permissive

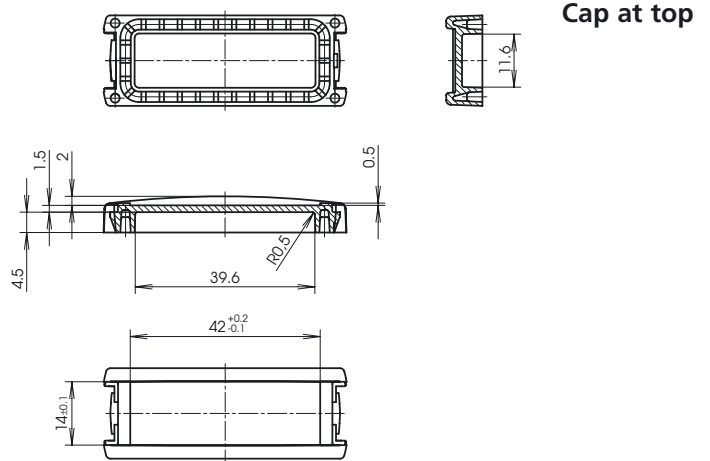
Material: ABS; infrared-permissive caps: PC

Maximum PCB dimensions

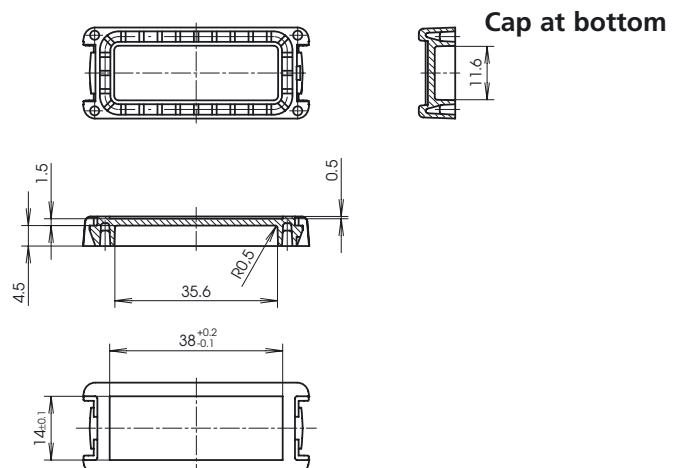


The PCB is clamped between the lid and base and can also be screwed into the base from the side.

Z-2801674-225-P



Z-2802646



Z-2802647

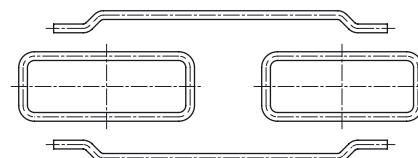
Order designation

Model	Order no.	PU
ART 225-DI	34122551	5 pcs

Seal set for BOPLA-ARTEB 225 to achieve IP 65.

The seal set can easily be fitted in the caps and the base.

Seal set



Z-2801675-225-D

Order designation

Model	Order no.	PU
ART SL 225	34122515	5 pcs

The ART SL 225 can be fitted under any table or work surface using 4 screws (incl. in scope of delivery). It provides space for an ART 225 enclosure which, for example, can be used as a manual-control unit for PC tables or similar applications.

Material:

Drawer: ABS
 Drawer support: polyamide with 15% fibre glass

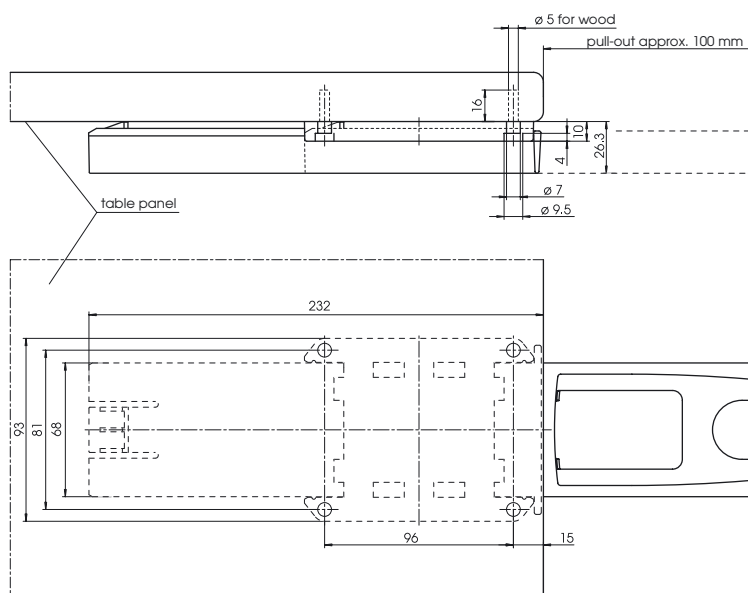
Colour:

Black, similar to RAL 9005 (standard design); agate grey, similar to RAL 7038, available on request.

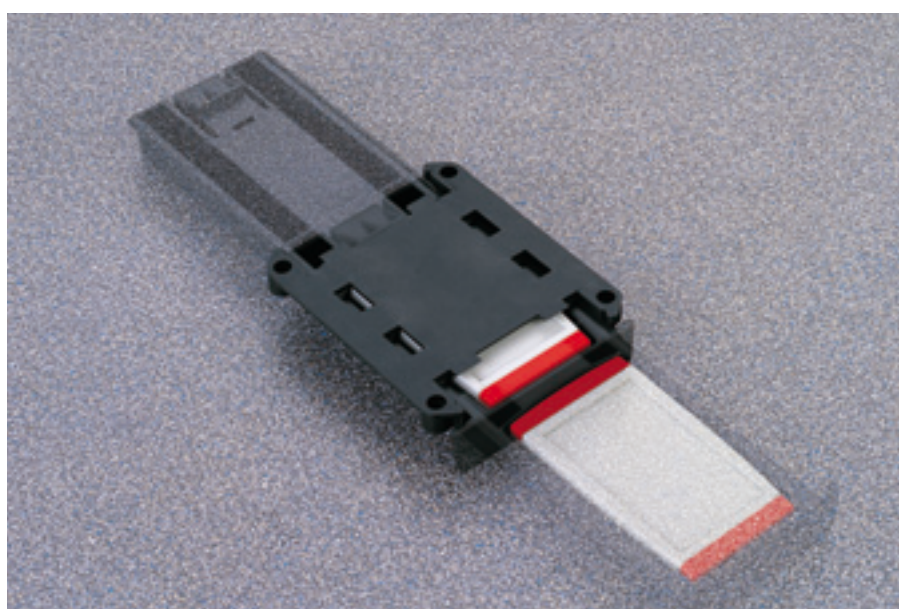
Scope of delivery:

Drawer, drawer support, 4 screws

BOPLA-ARTEB desk drawer



Z-2801922





BOPLA-ARTEB 335



BOPLA-ARTEB 335 DIS

The hand-held enclosure with an individual touch, consisting of a lid and a base. For caps to match the enclosure and for other useful accessories such as partitions for battery compartments, display screens and seal sets, please see the following pages. BOPLA-ARTEB 335 DIS is designed for your custom membrane keypad or for our standard membrane keypad FT 33516 D. Details of accessories for the power supply are given on page 494.

On both sides of the cap a plug-in groove is provided between the base and the lid for front panels or mounting plates. For example, this makes it possible to use transfer connectors during field use with IP 65 protection.



BOPLA-ARTEB 335 F

is designed for your individual membrane keypad. We will be happy to manufacture this for you.

BOPLA-ARTEB 335

Order designation		External dimensions in mm					Type	PU
Model	Order no.	L	W	H				
ART 335 DIS	34133512	130	75	26		for display applications, 5 pcs with membrane area 55.8 x 68.4 x 1.5 mm deep		
ART 335 F	34133511	130	75	26		with continuous membrane area 55.8 x 103.4 x 1.5 mm deep	5 pcs	

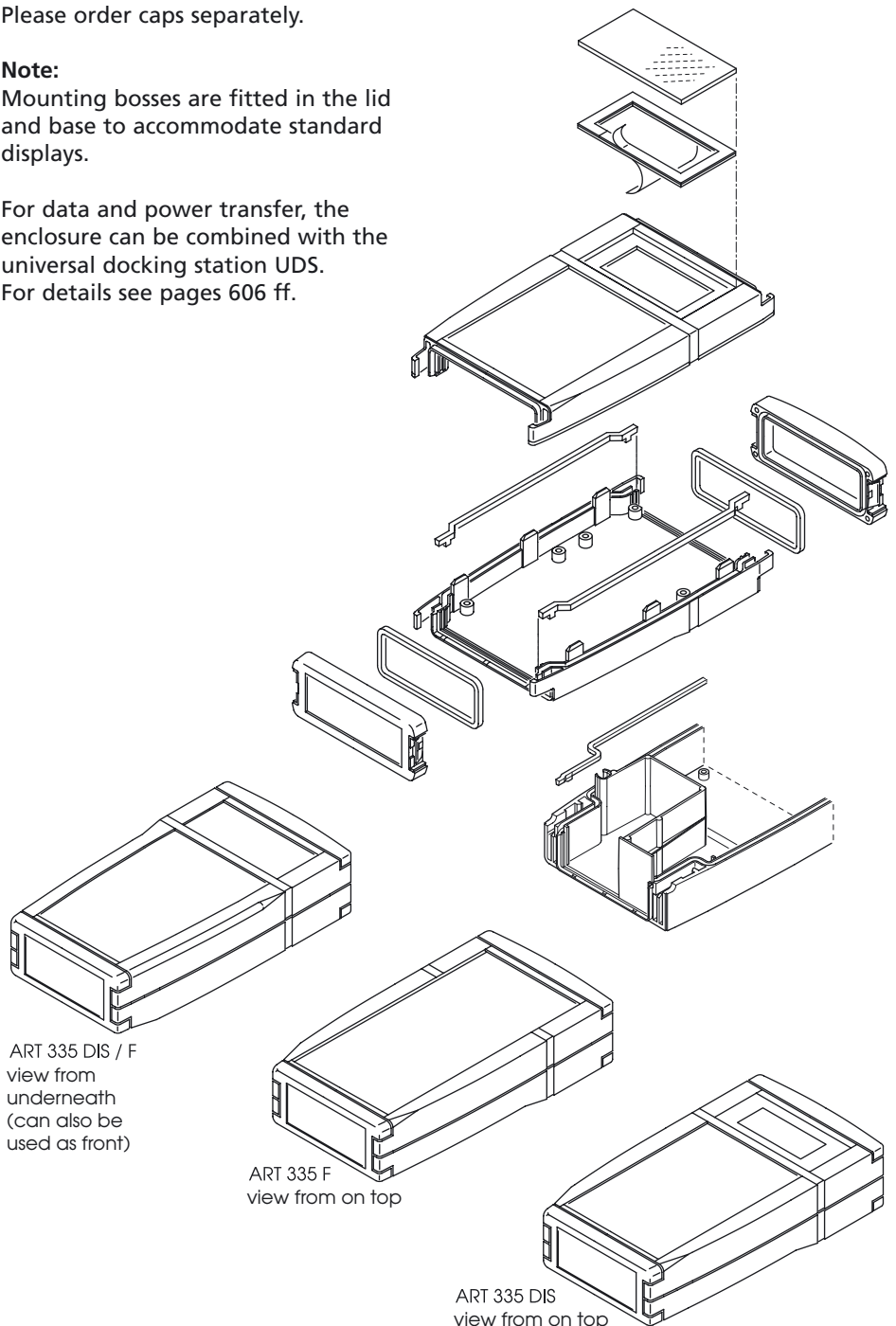
Scope of delivery:
Lid and base.

Please order caps separately.

Note:

Mounting bosses are fitted in the lid and base to accommodate standard displays.

For data and power transfer, the enclosure can be combined with the universal docking station UDS.
For details see pages 606 ff.



ART 335 DIS / F
view from underneath
(can also be used as front)

ART 335 F
view from on top

ART 335 DIS
view from on top

BOPLA-ARTEB 335



BOPLA-ARTEB caps for ART 335
 These caps are used to close the hand-held enclosure at the top and at the base. 6 different cap colours give each enclosure a very individual appearance. For IR remote control applications you may use infrared-permissive caps. A screwdriver is needed to disassemble the caps.

Caps

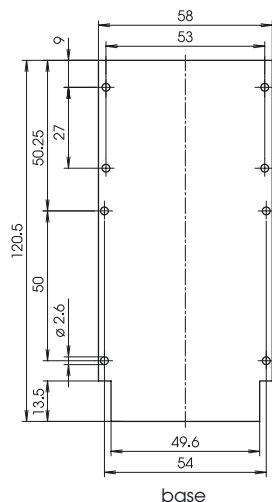
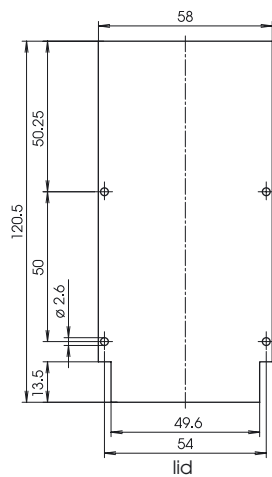
Order designation

Model	Order no.	Colour	PU
ART 335 KO-7038	34133521	● Agate grey, similar to RAL 7038	5 pcs
ART 335 KU-7038	34133531	● Agate grey, similar to RAL 7038	5 pcs
ART 335 KO-6027	34133522	● Light green, similar to RAL 6027	5 pcs
ART 335 KU-6027	34133532	● Light green, similar to RAL 6027	5 pcs
ART 335 KO-1016	34133523	● Sulphur yellow, sim. to RAL 1016	5 pcs
ART 335 KU-1016	34133533	● Sulphur yellow, sim. to RAL 1016	5 pcs
ART 335 KO-7037	34133524	● Dust grey, similar to RAL 7037	5 pcs
ART 335 KU-7037	34133534	● Dust grey, similar to RAL 7037	5 pcs
ART 335 KO-3000	34133525	● Flame red, similar to RAL 3000	5 pcs
ART 335 KU-3000	34133535	● Flame red, similar to RAL 3000	5 pcs
ART 335 KO-5015	34133527	● Sky blue, similar to RAL 5015	5 pcs
ART 335 KU-5015	34133537	● Sky blue, similar to RAL 5015	5 pcs
ART 335 KO-IR	34133526	● Black, infrared-permissive	5 pcs

KO = cap at top KU = cap at bottom IR = infrared-permissive

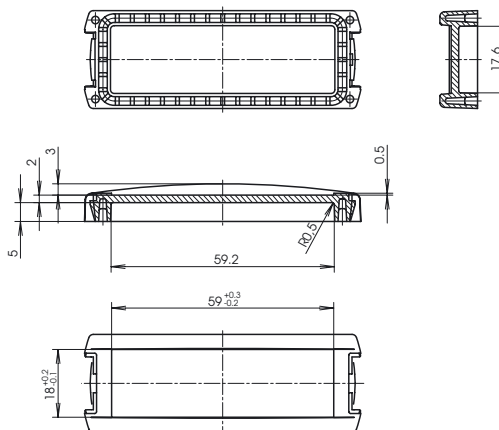
Material: ABS; infrared-permissive caps: PC

Maximum PCB dimensions



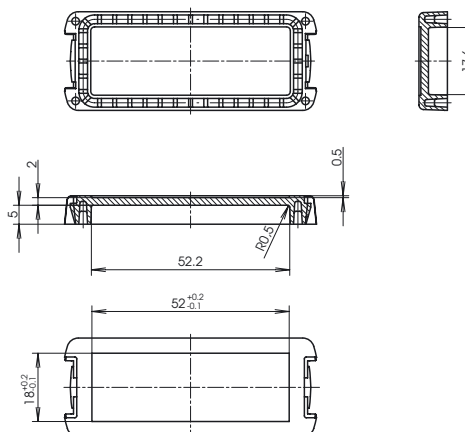
Z-2801674-335-P

Cap at top



Z-2802648

Cap at bottom



Z-2802649

Partitions for battery compartment

Order designation

Model	Order no.	PU
ART 335 BTU 1	34133541	5 pcs
ART 335 BTU 2	34133542	5 pcs

Scope of delivery:

Partitions, adhesive stickers, sponge buffers.

Material:

ABS

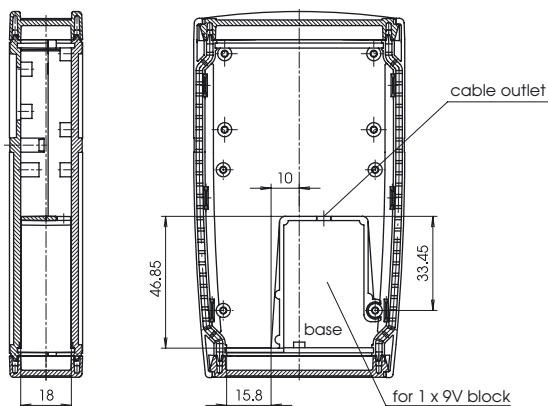
Note:

Details of battery holder and 9V clip are included in BOPLA-ARTEB accessories (see page 494).

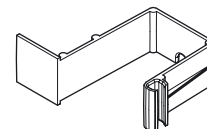
The **ART 335 BTU 1** partition is designed for use with a 9V block battery.

The **ART 335 BTU 2** partition permits the use of the BH 2MN battery holder (2 mignon batteries).

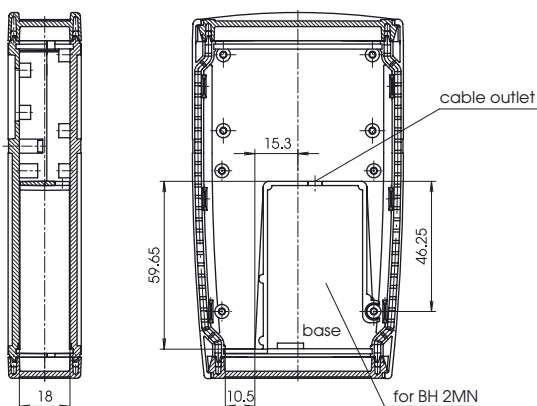
The adhesive sticker (supplied) should be applied to the outside of the battery compartment.



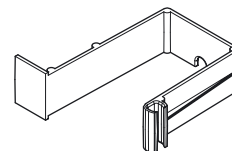
ART 335 BTU-1



Z-2802060



ART 335 BTU-2



Z-2802061

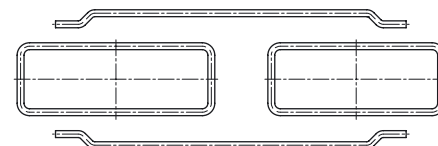
Order designation

Model	Order no.	PU
ART 355-DI	34133551	5 pcs

Seal set for BOPLA-ARTEB 335 to achieve IP 65.

The seal set can easily be fitted in the caps and the base.

Seal set



Z-2801675-335-D

Order designation

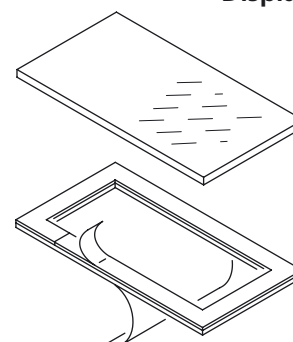
Model	Order no.	PU
ART 300 DIS	34130041	5 pcs

Dimensions: 55.5 x 29.5 x 2 mm
Colour: clear

Display screen for BOPLA-ARTEB 335 DIS.

Unprinted, scratch-resistant on one side, with stick-on frame. Printing of the display screen is necessary in order to cover the stick-on frame. Printing and assembly on request. The scratch-proof side cannot be printed or glued.

Display screen





BOPLA-ARTEB 555



BOPLA-ARTEB 555 DIS

The hand-held enclosure with an individual touch, made from robust ABS and designed to accept a built-in display. Consists of a lid and a base. For caps to match the enclosure and for other useful accessories such as partitions for battery compartments, display screens, battery shafts, seal sets and snap locks, please refer to the following pages. BOPLA-ARTEB 555 DIS is designed for your custom membrane keypad or for our standard membrane keypad FT 55516 D. Details of accessories for the power supply are given on page 494.

On both sides of the cap a plug-in groove is provided between the base and the lid for front panels or mounting plates. For example, this makes it possible to use transfer connectors during field use with IP 65 protection.



BOPLA-ARTEB 555 F is designed for your individual membrane keypad. We will be happy to manufacture this for you.

BOPLA-ARTEB 555

Order designation		External dimensions in mm					Type	PU
Model	Order no.	L	W	H				
ART 555 DIS	34155512	165	92	30		for display applications, with membrane area 69.9 x 102.4 x 1.5 mm deep	5 pcs	
ART 555 F	34155511	165	92	30		with continuous membrane area 69.9 x 137.4 x 1.5 mm deep	5 pcs	

Scope of delivery:

Lids and bases including tool-operated snap locks for caps.

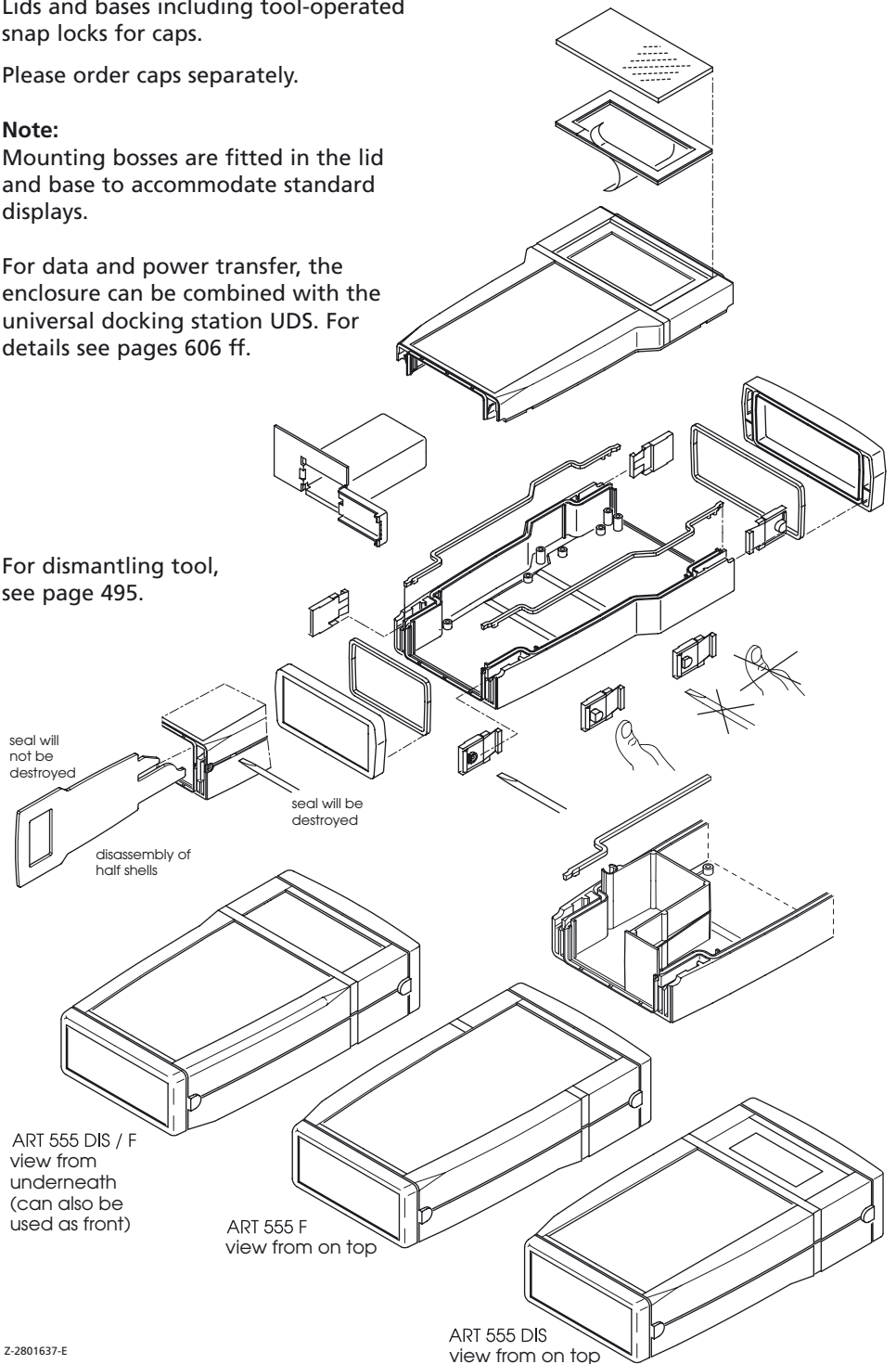
Please order caps separately.

Note:

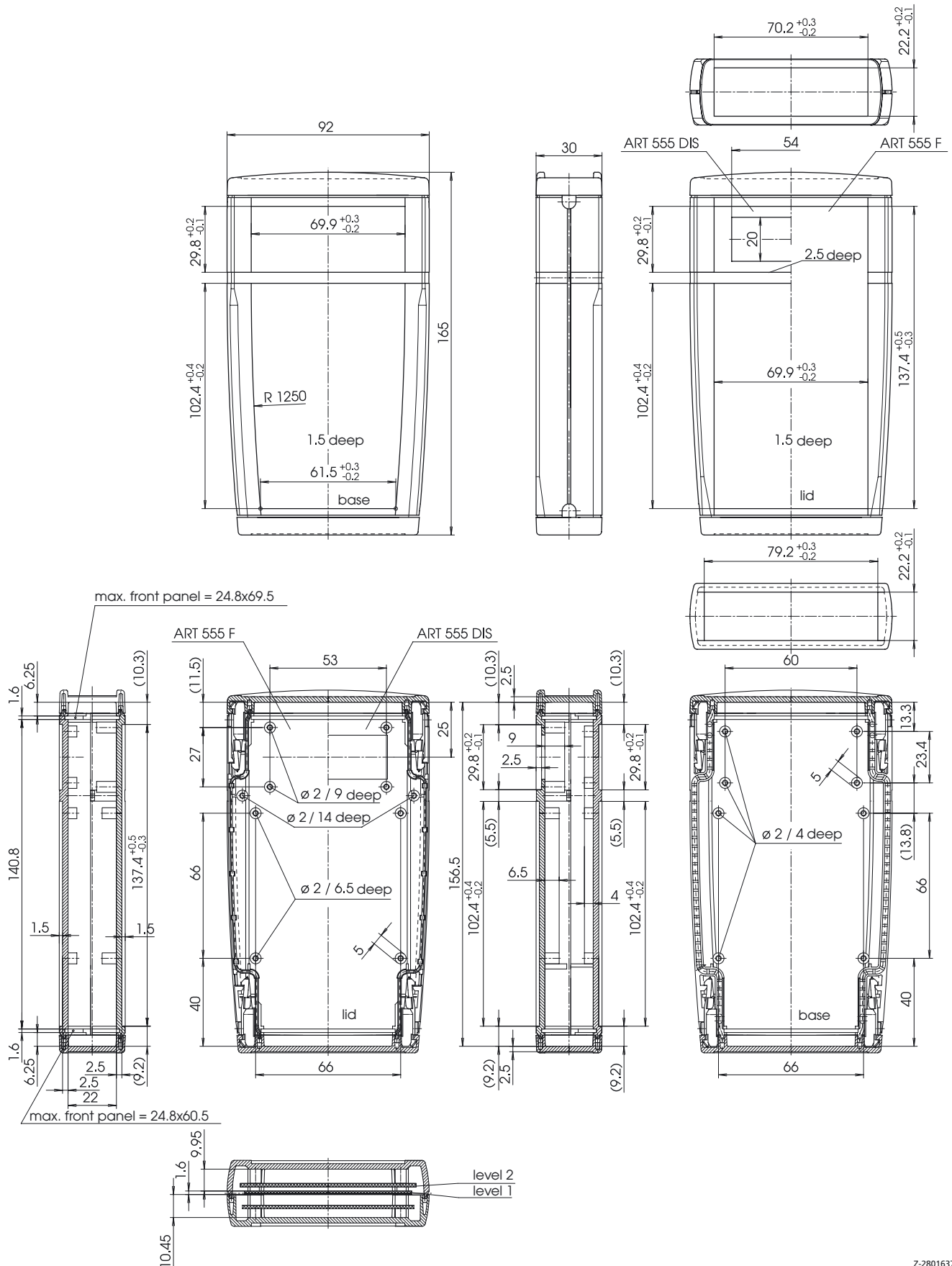
Mounting bosses are fitted in the lid and base to accommodate standard displays.

For data and power transfer, the enclosure can be combined with the universal docking station UDS. For details see pages 606 ff.

For dismantling tool, see page 495.



BOPLA-ARTEB 555





BOPLA-ARTEB 555



BOPLA-ARTEB 555 with BE 30

In contrast to models ART 555 DIS and ART 555 F on page 476, these enclosures are also fitted on the rear with a BE 30 or BE 60 battery compartment. The battery compartment BE 30 is suitable for the use of 2 mignon batteries or one 9V block battery. The larger battery compartment BE 60 is suitable for the use of 4 mignon batteries or two 9V block batteries.

Details of matching caps and additional accessories such as display screens and snap locks are given on the following pages. Ingress protection is IP 40; because of the fitted battery compartment, it cannot be increased to IP 65.



BOPLA-ARTEB 555 with BE 60

BOPLA-ARTEB 555 including battery compartment BE 30 or BE 60

Order designation

Model	Order no.	PU	Can be combined with UDS*
ART 555 DIS with BE 30	34155582	5 pcs	with adapter UDS-_-A
ART 555 F with BE 30	34155581	5 pcs	with adapter UDS-_-A
ART 555 DIS with BE 60	34155592	5 pcs	-
ART 555 F with BE 60	34155591	5 pcs	-

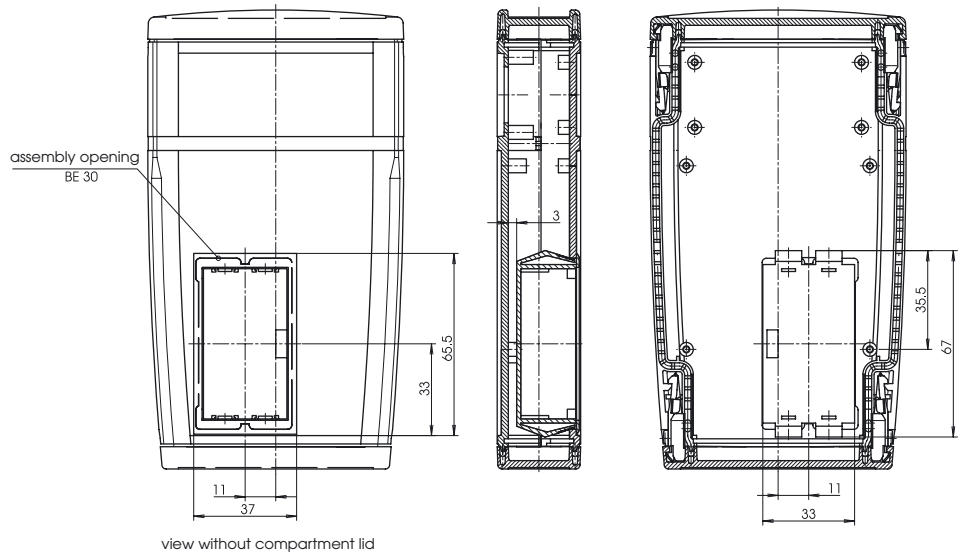
Scope of delivery:

Lids and bases and battery compartment BE 30 or BE 60.
Including fitted tool-operated snap

locks for caps.
Please order caps separately.

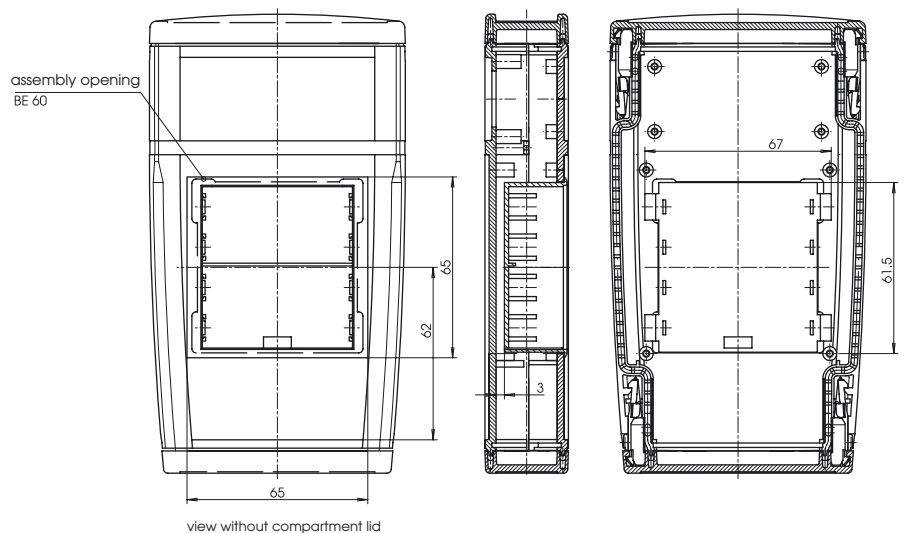
*= Universal docking station for data and power transfer.

ART 555 ... BE 30



Z-2802074

ART 555 ... BE 60



Z-2802075

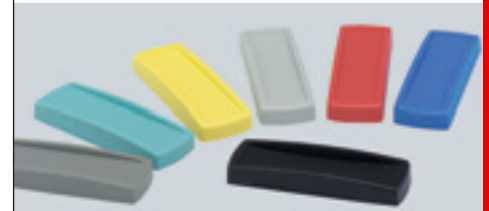
Caps

Order designation

Model	Order no.	Colour	PU
ART 555 KO-7038	34155521	● Agate grey, similar to RAL 7038	5 pcs
ART 555 KU-7038	34155531	● Agate grey, similar to RAL 7038	5 pcs
ART 555 KO-6027	34155522	● Light green, similar to RAL 6027	5 pcs
ART 555 KU-6027	34155532	● Light green, similar to RAL 6027	5 pcs
ART 555 KO-1016	34155523	● Sulphur yellow, sim. to RAL 1016	5 pcs
ART 555 KU-1016	34155533	● Sulphur yellow, sim. to RAL 1016	5 pcs
ART 555 KO-7037	34155524	● Dust grey, similar to RAL 7037	5 pcs
ART 555 KU-7037	34155534	● Dust grey, similar to RAL 7037	5 pcs
ART 555 KO-3000	34155525	● Flame red, similar to RAL 3000	5 pcs
ART 555 KU-3000	34155535	● Flame red, similar to RAL 3000	5 pcs
ART 555 KO-5015	34155527	● Sky blue, similar to RAL 5015	5 pcs
ART 555 KU-5015	34155537	● Sky blue, similar to RAL 5015	5 pcs
ART 555 KO-IR	34155526	● Black, infrared-permissive	5 pcs

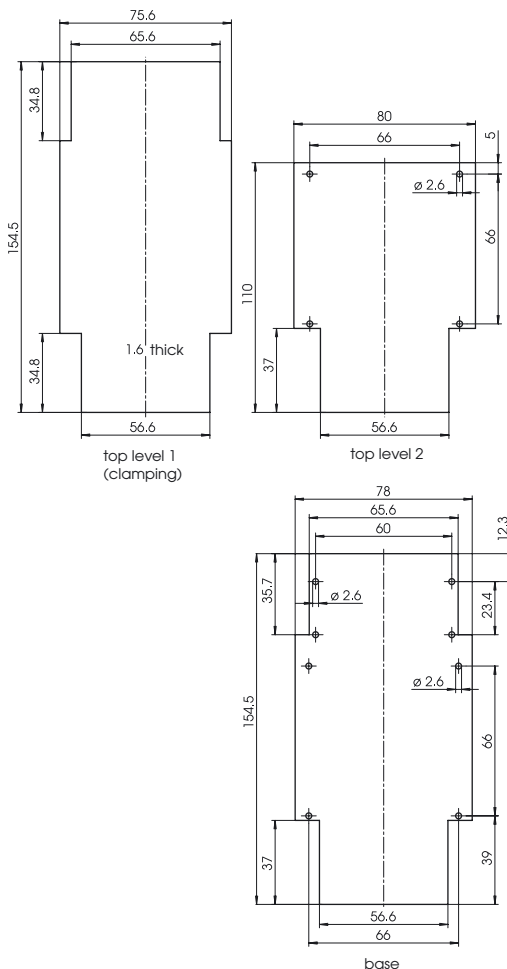
KO = cap at top KU = cap at bottom IR = infrared-permissive

Material: ABS; infrared-permissive caps: PC



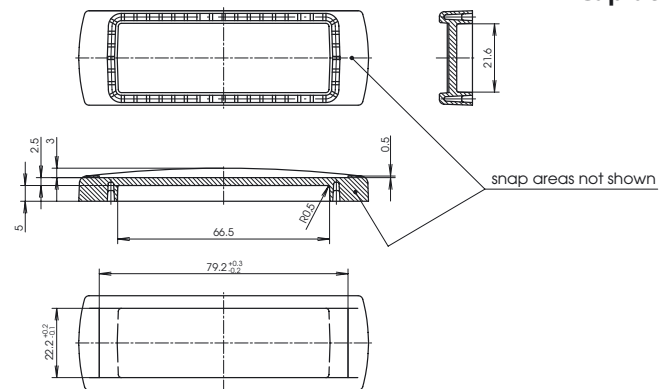
BOPLA-ARTEB caps for ART 555
 These caps are used to close the hand-held enclosure at the top and at the base. 6 different cap colours give each enclosure a very individual appearance. For IR remote control applications you may use infrared-permissive caps. A screwdriver is needed to disassemble the caps. For hand operation and blocking, please go to page 481 (snap locks).

Maximum PCB dimensions



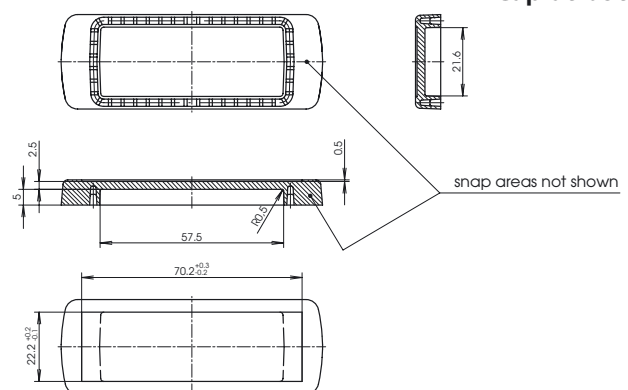
Z-2801674-555-P

Cap at top



Z-2802650

Cap at bottom



Z-2802651



BOPLA-ARTEB 555 accessories



BOPLA-ARTEB 555
with partition ART 555 BTU 1
for battery holder BH 3MN
(3 mignon batteries).

Partitions for battery compartment

Order designation

Model	Order no.	PU
ART 555 BTU 1	34155541	5 pcs

Scope of delivery:

Partitions, adhesive stickers,
sponge buffers.

Please order enclosure and caps
separately.

Material:

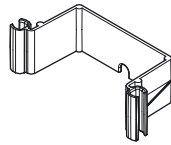
ABS

Note:

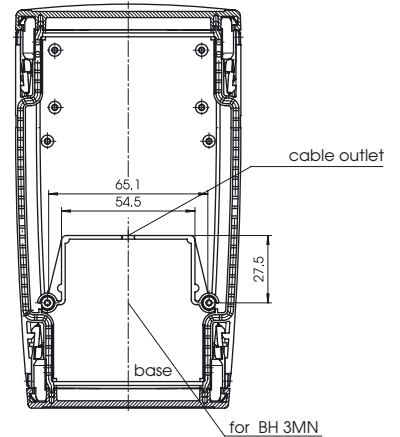
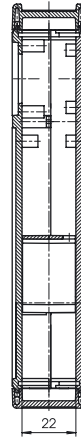
The adhesive sticker (supplied) should
be applied to the outside of the
battery compartment.

For battery holders, see page 494
(BOPLA-ARTEB accessories).

ART 555 BTU 1



Z-2802062



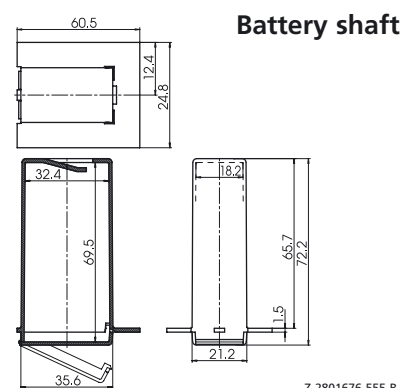
Order designation

Model	Order no.	PU
ART 555 BEU-2MN	34155561	5 pcs

Battery shaft in the base for battery holder BH 2MN (2 mignons) or for 9V block battery, see page 494.

Battery shaft for BOPLA-ARTEB 555.

Comes with integrated front panel to prevent contact with other built-in components.



Z-2801676-555-B

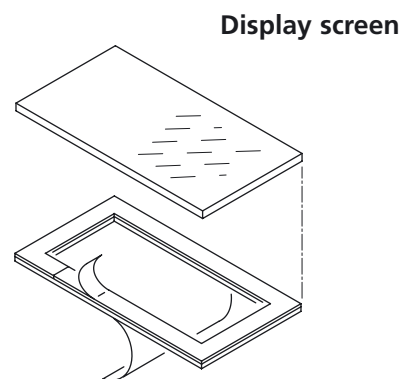
Order designation

Model	Order no.	PU
ART 500 DIS	34150041	5 pcs

Dimensions: 69.5 X 29.5 X 2 mm
Colour: clear

Display screen for BOPLA-ARTEB 555 DIS.

Unprinted, scratch-resistant coating on one side, with stick-on frame. Printing of the display screen is necessary in order to cover the stick-on frame. Printing and assembly on request. The scratch-proof side cannot be printed or glued.



Z-2801680

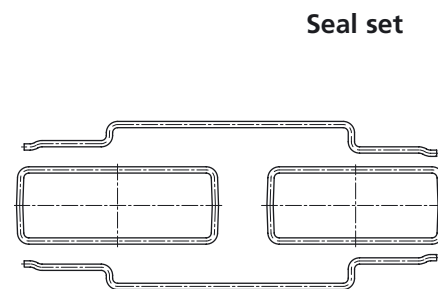
Order designation

Model	Order no.	PU
ART 555-DI	34155551	5 pcs

Seal set for BOPLA-ARTEB 555 to achieve IP 65.

The seal set can easily be fitted in the caps and the base.

Note:
Because of the fitted battery compartment BE 30/BE 60, ingress protection for BOPLA-ARTEB 555 cannot be increased to IP 65.



Z-2801675-555-D

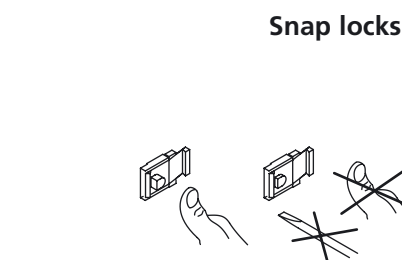
Order designation

Model	Order no.	PU
ART-SV-HB-7038	34155573	10 pcs
ART-SV-SR-7038	34155572	10 pcs

HB = snap lock, hand-operated
SR = snap lock, blocking

Colour: agate grey, similar to RAL 7038

As a standard, each enclosure comes with tool-operated snap locks. A dismantling tool for opening the caps is shown in Accessories on page 495. For a more convenient way of opening the enclosure, e.g. for maintenance, for replacing built-in components or for changing the batteries, you can also order snap locks designed for hand operation. The top or base cap can then be opened by simply pressing the snap locks. If opening is to be prevented, the secure snap locks can be used, comparable to lead-sealing protection. Thus with the appropriate combination, the cap functions can be set separately for the top and for the base cap.



Z-2801681



BOPLA-ARTEB 655



BOPLA-ARTEB 655 DIS for displays 128 x 64 dots or 4 x 16 characters.

The hand-held enclosure with an individual touch, made from robust ABS and designed to accept a built-in display. Consists of a lid and a base. For caps to match the enclosure and for other useful accessories such as partitions for battery compartment, display screens, battery shafts, seal sets and snap locks, please refer to the following pages. BOPLA-ARTEB 655 DIS is designed for your custom membrane keypad or for our standard membrane keypad FT 65516 D. Details of accessories for the power supply are given on page 494. On both sides of the cap a plug-in groove is provided between the base and the lid for front panels or mounting plates. For example, this makes it possible to use transfer connectors during field use with IP 65 protection.



BOPLA-ARTEB 655 F is designed for your individual membrane keypad. We will be happy to manufacture this for you.

BOPLA-ARTEB 655

Order designation		External dimensions in mm					PU
Model	Order no.	L	W	H	Type		
ART 655 DIS	34165512	204	110	41	for display applications, with membrane area 69.9 x 119.9 x 1.5 mm deep	5 pcs	
ART 655 F	34165511	204	110	41	with continuous membrane area 69.9 x 173.9 x 1.5 mm deep	5 pcs	

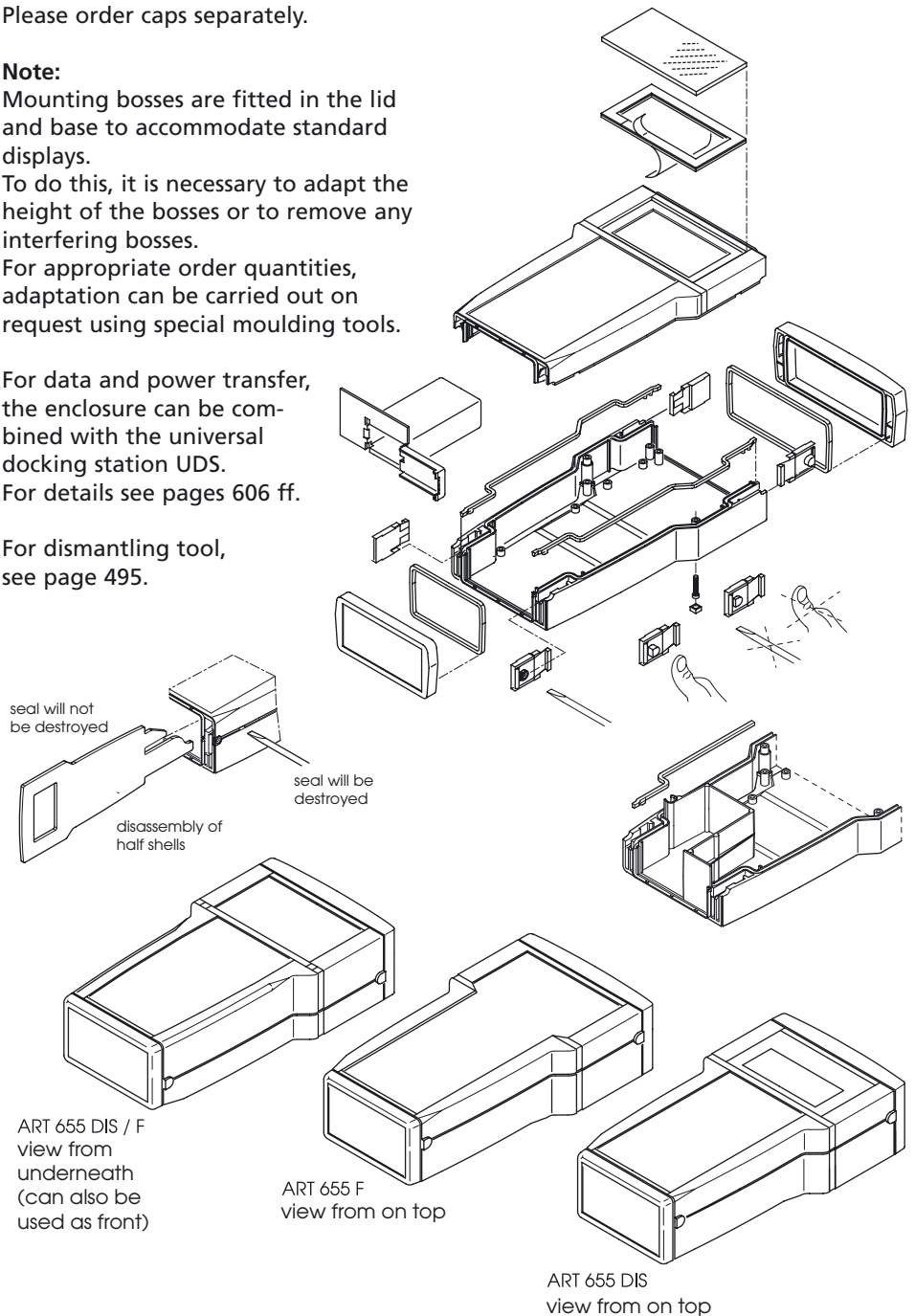
Scope of delivery:
Lids and bases including tool-operated snap locks for caps.

Please order caps separately.

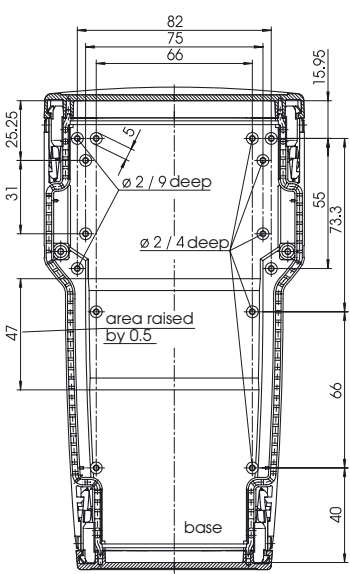
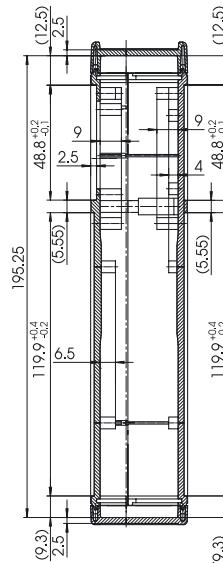
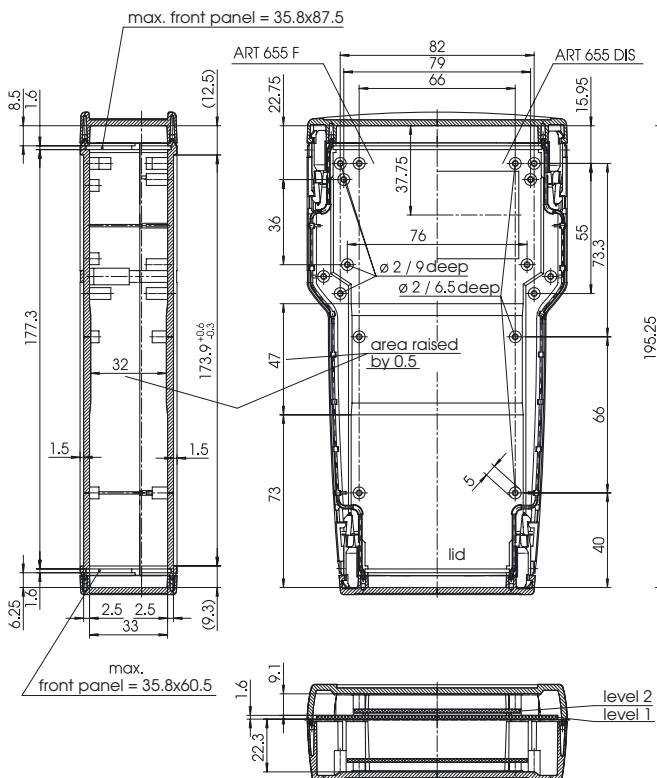
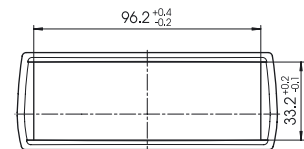
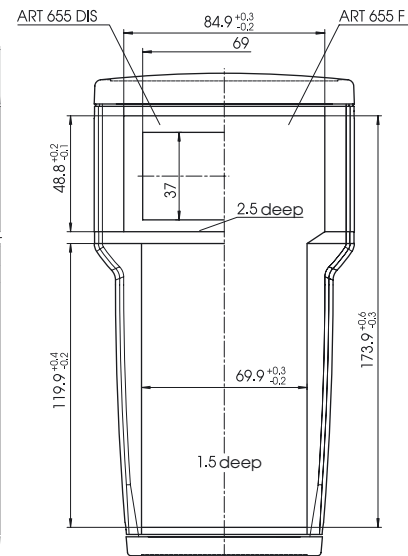
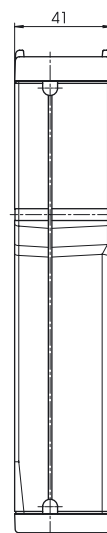
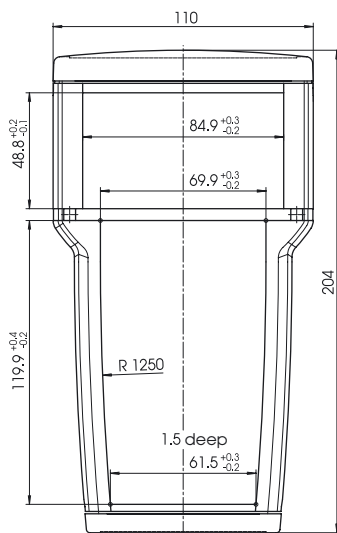
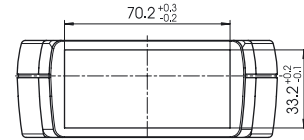
Note:
Mounting bosses are fitted in the lid and base to accommodate standard displays. To do this, it is necessary to adapt the height of the bosses or to remove any interfering bosses. For appropriate order quantities, adaptation can be carried out on request using special moulding tools.

For data and power transfer, the enclosure can be combined with the universal docking station UDS. For details see pages 606 ff.

For dismantling tool, see page 495.



BOPLA-ARTEB 655





BOPLA-ARTEB 655



BOPLA-ARTEB 655 with BE 30

In contrast to models ART 655 DIS and ART 655 F on page 482, these enclosures are also fitted on the rear with a BE 30 or BE 60 battery compartment. The battery compartment BE 30 is suitable for the use of 2 mignon batteries or one 9V block battery. The larger battery compartment BE 60 is suitable for the use of 4 mignon batteries or two 9V block batteries.

Details of matching caps and additional accessories such as display screens and snap locks are given on the following pages. Ingress protection is IP 40; because of the fitted battery compartment, it cannot be increased to IP 65.



BOPLA-ARTEB 655 with BE 60

BOPLA-ARTEB 655 including battery compartment BE 30 or BE 60

Order designation

Model	Order no.	PU	Can be combined with UDS*
ART 655 DIS with BE 30	34165582	5 pcs	✓
ART 655 F with BE 30	34165581	5 pcs	✓
ART 655 DIS with BE 60	34165592	5 pcs	with adapter UDS-_-A
ART 655 F with BE 60	34165591	5 pcs	with adapter UDS-_-A

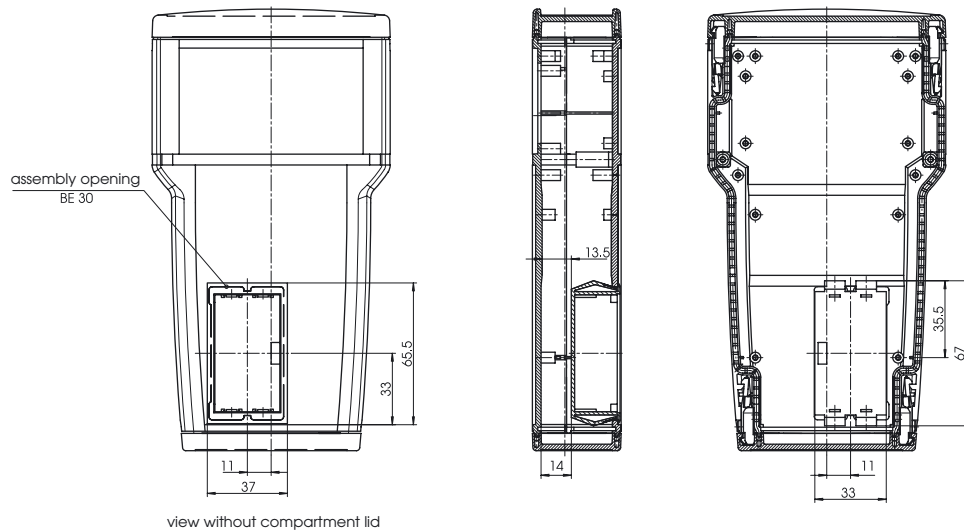
Scope of delivery:

Lids and bases and battery compartment BE 30 or BE 60.
Including fitted tool-operated snap

locks for caps.
Please order caps separately.

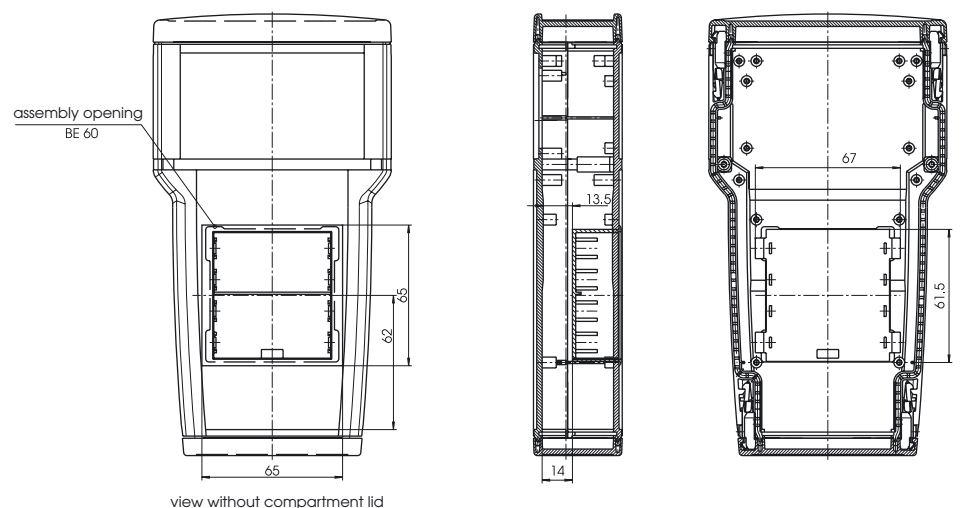
*= Universal docking station for data and power transfer.

ART 655 ... BE 30



Z-2802076

ART 655 ... BE 60



Z-2802077

Caps

Order designation

Model	Order no.	Colour	PU
ART 655 KO-7038	34165521	● Agate grey, similar to RAL 7038	5
ART 655 KU-7038	34165531	● Agate grey, similar to RAL 7038	5
ART 655 KO-6027	34165522	● Light green, similar to RAL 6027	5
ART 655 KU-6027	34165532	● Light green, similar to RAL 6027	5
ART 655 KO-1016	34165523	● Sulphur yellow, sim. to RAL 1016	5
ART 655 KU-1016	34165533	● Sulphur yellow, sim. to RAL 1016	5
ART 655 KO-7037	34165524	● Dust grey, similar to RAL 7037	5
ART 655 KU-7037	34165534	● Dust grey, similar to RAL 7037	5
ART 655 KO-3000	34165525	● Flame red, similar to RAL 3000	5
ART 655 KU-3000	34165535	● Flame red, similar to RAL 3000	5
ART 655 KO-5015	34165527	● Sky blue, similar to RAL 5015	5
ART 655 KU-5015	34165537	● Sky blue, similar to RAL 5015	5
ART 655 KO-IR	34165526	● Black, infrared-permissive	5

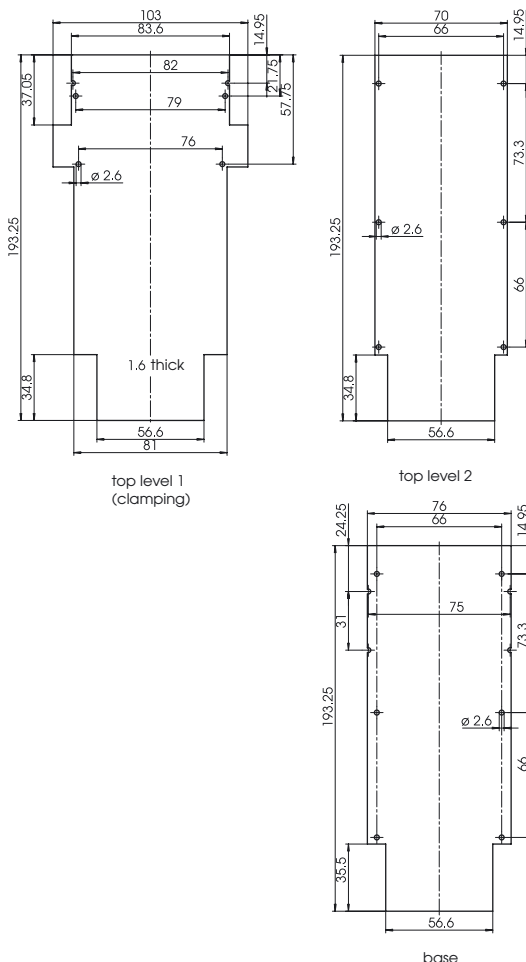
KO = cap at top KU = cap at bottom IR = infrared-permissive

Material: ABS; infrared-permissive caps: PC

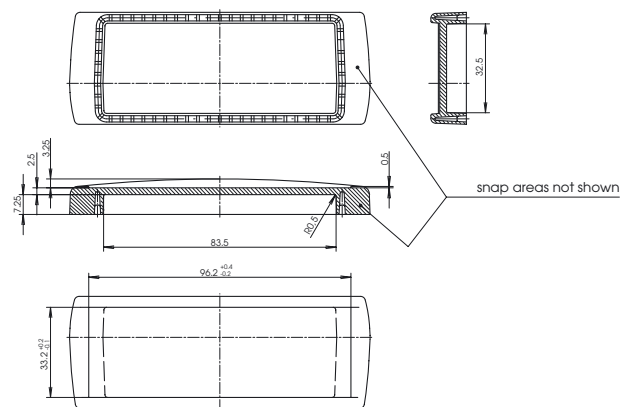


BOPLA-ARTEB caps for ART 655
 These caps are used to close the hand-held enclosure at the top and at the base. 6 different cap colours give each enclosure a very individual appearance. For IR remote control applications you may use infrared-permissive caps. A screwdriver is needed to disassemble the caps. For hand operation and blocking, please go to page 487 (snap locks).

Maximum PCB dimensions

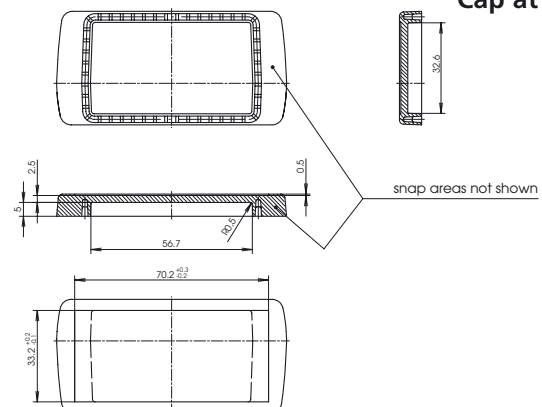


Cap at top



Z-2802652

Cap at bottom

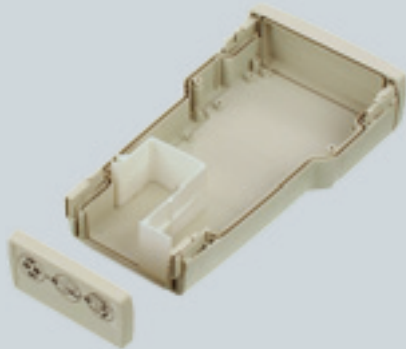


Z-2802653



Welcome to BOPLA City!

BOPLA-ARTEB 655 accessories



BOPLA-ARTEB 655
with partition ART 655 BTU 1
for battery holder BH 4MN-BL
(4 mignon batteries)
or for 2 x 9V block batteries.



BOPLA-ARTEB 655
with partition ART 655 BTU 2
for battery holder BH 6MN-BL
(6 mignon batteries).

Partitions for battery compartment

Order designation

Model	Order no.	PU
ART 655 BTU 1	34165541	5 pcs
ART 655 BTU 2	34165542	5 pcs

Scope of delivery:

Partitions, adhesive sticker,
sponge buffers.

Note:

The adhesive sticker (supplied) should
be applied to the outside of the
battery compartment.

Please order enclosure and caps
separately.

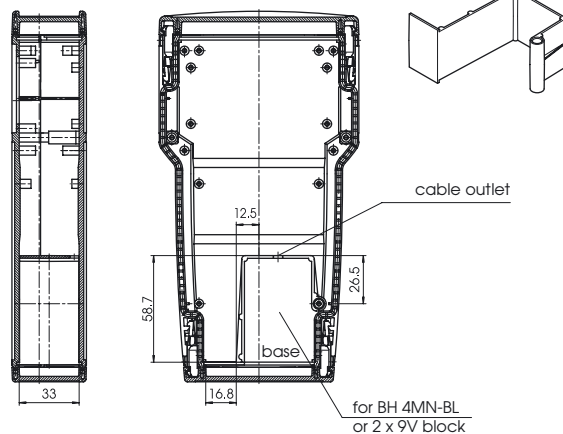
For battery holders and 9V clips, see
page 494 (BOPLA-ARTEB accessories).

Material:

ABS

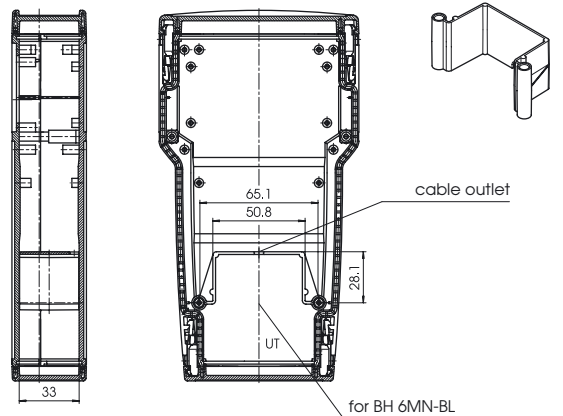
ART 655 BTU 1

Z-2802063



ART 655 BTU 2

Z-2802064



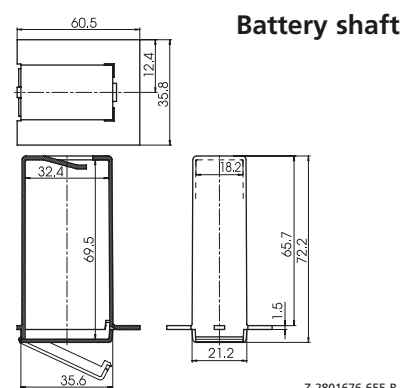
Order designation

Model	Order no.	PU
ART 655 BEU-2MN	34165561	5 pcs

Battery shaft in the base for battery holder BH 2MN (2 mignons) or for 9V block battery, see page 494.

Battery shaft for BOPLA-ARTEB 655.

Comes with integrated front panel to prevent contact with other built-in components.



Z-2801676-655-B

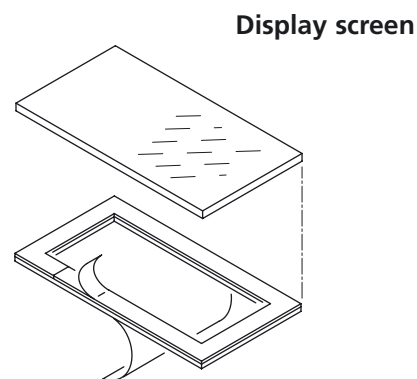
Order designation

Model	Order no.	PU
ART 600 DIS	34160041	5 pcs

Dimensions: 84.5 x 48.5 x 2 mm
Colour: clear

Display screen for BOPLA-ARTEB 655 DIS.

Unprinted, scratch-resistant coating on one side, with stick-on frame. Printing of the display screen is necessary in order to cover the stick-on frame. Printing and assembly on request. The scratch-proof side cannot be printed or glued.



Z-2801680

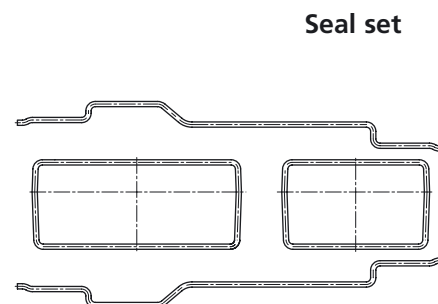
Order designation

Model	Order no.	PU
ART 655-DI	34165551	5 pcs

Seal set for BOPLA-ARTEB 655 to achieve IP 65.

The seal set can easily be fitted in the caps and the base.

Note:
Because of the fitted battery compartment BE 30/BE 60, the ingress protection for BOPLA-ARTEB 655 cannot be increased to IP 65.



Z-2801675-655-D

Order designation

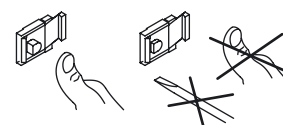
Model	Order no.	PU
ART-SV-HB-7038	34155573	10 pcs
ART-SV-SR-7038	34155572	10 pcs

HB = snap-lock, hand-operated
SR = snap-lock, blocking

Colour: agate grey, similar to RAL 7038

As a standard, each enclosure comes with tool-operated snap locks. A dismantling tool for opening the caps is shown in Accessories on page 495. For a more convenient way of opening the enclosure, e.g. for maintenance, for replacing built-in components or for changing the batteries, you can also order snap locks designed for hand operation. The top or base cap can then be opened by simply pressing the snap locks. If opening is to be prevented, the secure snap locks can be used, comparable to lead-sealing protection. Thus with the appropriate combination, the cap functions can be set separately for the top and for the base cap.

Snap locks



Z-2801681

BOPLA-ARTEB 865



BOPLA-ARTEB 865 DIS for displays 128 x 64 dots or 4 x 20 characters.

The hand-held enclosure with an individual touch, made from robust ABS and designed to accept a built-in display. Consists of a lid and a base. For caps to match the enclosure and for other useful accessories such as partitions for battery compartment, display screens, battery shafts, seal sets and snap locks, please refer to the following pages. BOPLA-ARTEB 865 DIS is designed for your custom membrane keypad or for our standard membrane keypads FT 86545 MDT or FT 86521 D. Details of accessories for the power supply are given on page 495. On both sides of the cap a plug-in groove is provided between the base and the lid for front panels or mounting plates. For example, this makes it possible to use transfer connectors during field use with IP 65 protection.



BOPLA-ARTEB 865 F is designed for your individual membrane keypad. We will be happy to manufacture this for you.

BOPLA-ARTEB 865

Order designation		External dimensions in mm					PU
Model	Order no.	L	W	H	Type		
ART 865 DIS	34186512	236	125	41	for display applications, with membrane area 84.9 x 135.9 x 1.5 mm deep	5 pcs	
ART 865 F	34186511	236	125	41	with continuous membrane area 84.9 x 201.9 x 1.5 mm deep	5 pcs	

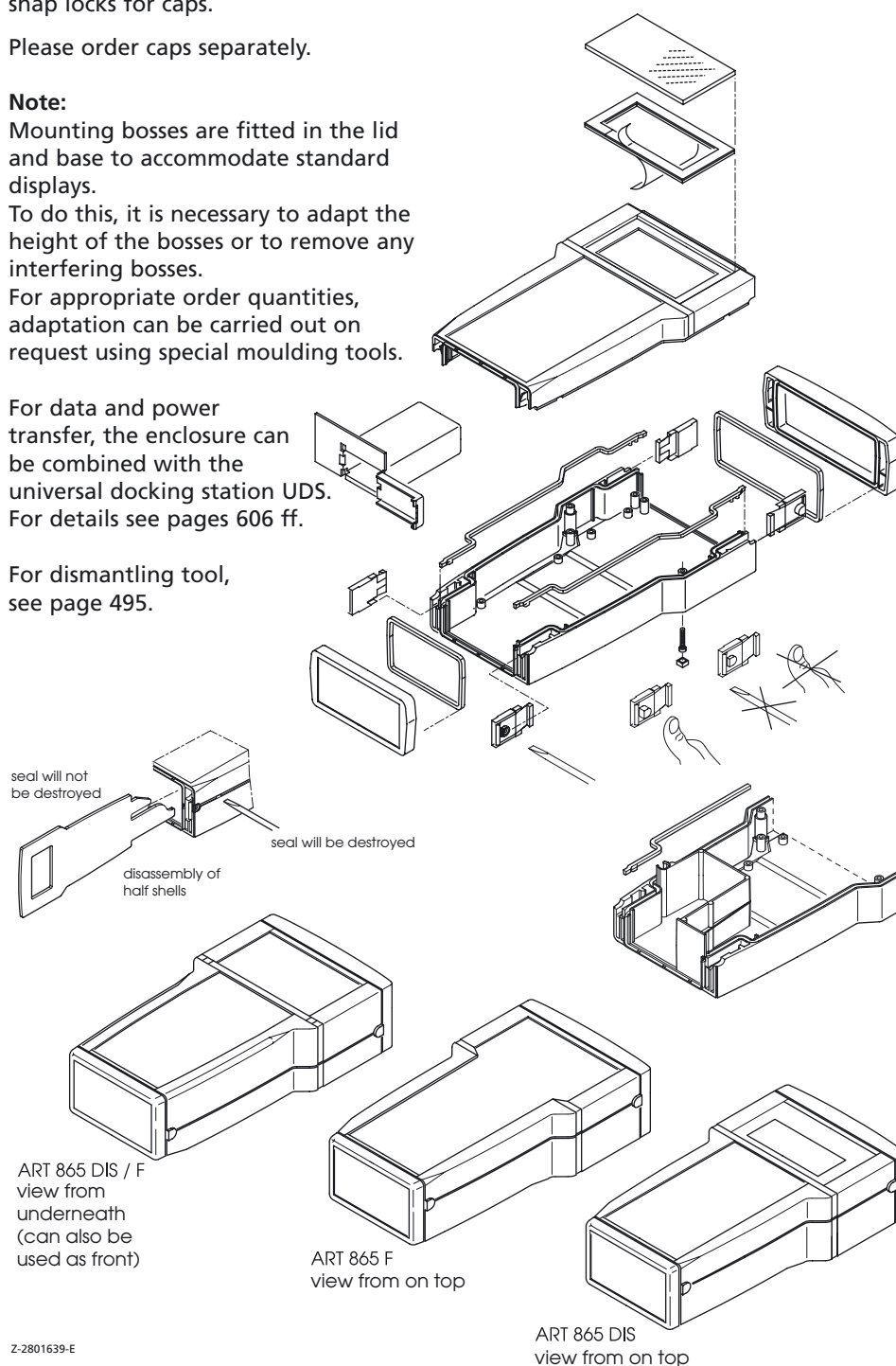
Scope of delivery:
Lids and bases including tool-operated snap locks for caps.

Please order caps separately.

Note:
Mounting bosses are fitted in the lid and base to accommodate standard displays. To do this, it is necessary to adapt the height of the bosses or to remove any interfering bosses. For appropriate order quantities, adaptation can be carried out on request using special moulding tools.

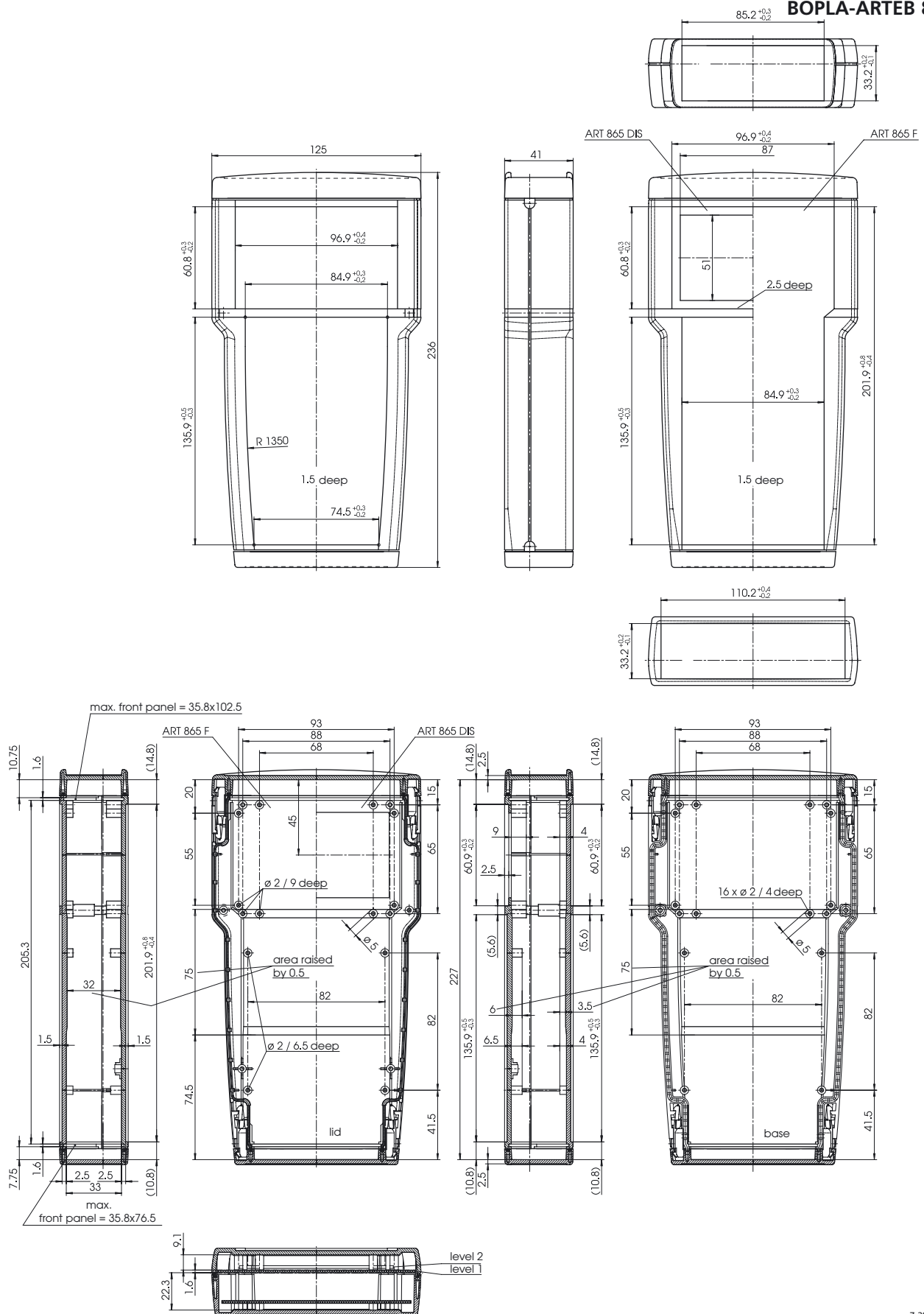
For data and power transfer, the enclosure can be combined with the universal docking station UDS. For details see pages 606 ff.

For dismantling tool, see page 495.



Z-2801639-E

BOPLA-ARTEB 865





Welcome to BOPLA City!

BOPLA-ARTEB 865

BOPLA-ARTEB 865 including battery compartment BE 30 or BE 60

Order designation

Model	Order no.	PU	Can be combined with UDS*
ART 865 DIS with BE 30	34186582	5 pcs	✓
ART 865 F with BE 30	34186581	5 pcs	✓
ART 865 DIS with BE 60	34186592	5 pcs	✓
ART 865 F with BE 60	34186591	5 pcs	✓

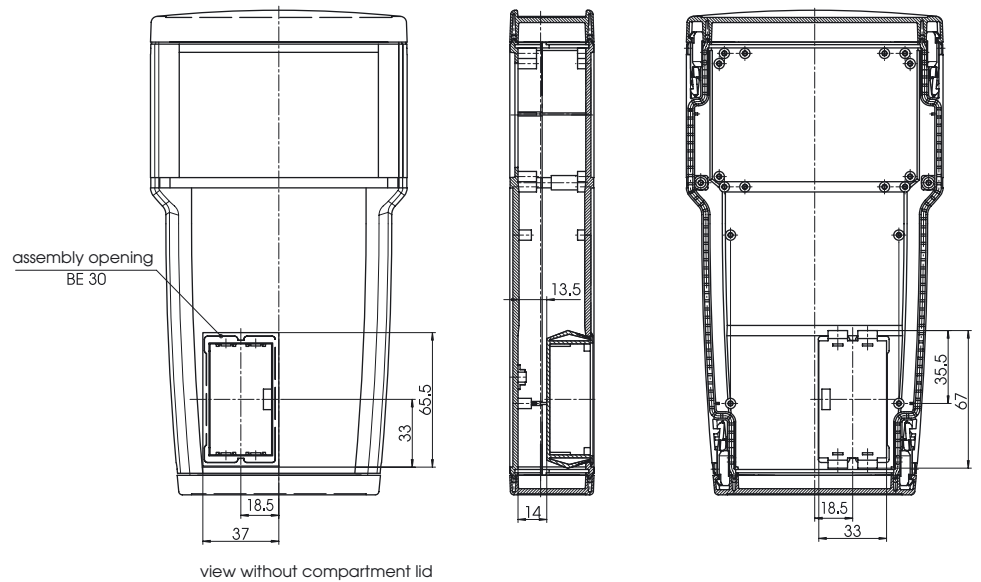
Scope of delivery:

Lids and bases and battery compartment BE 30 or BE 60.
Including fitted tool-operated snap

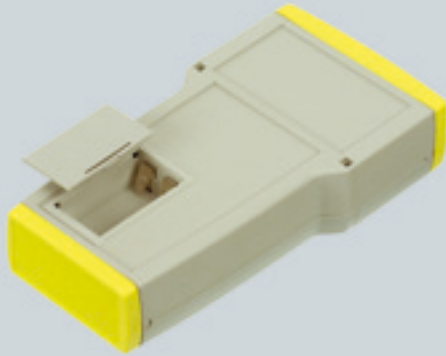
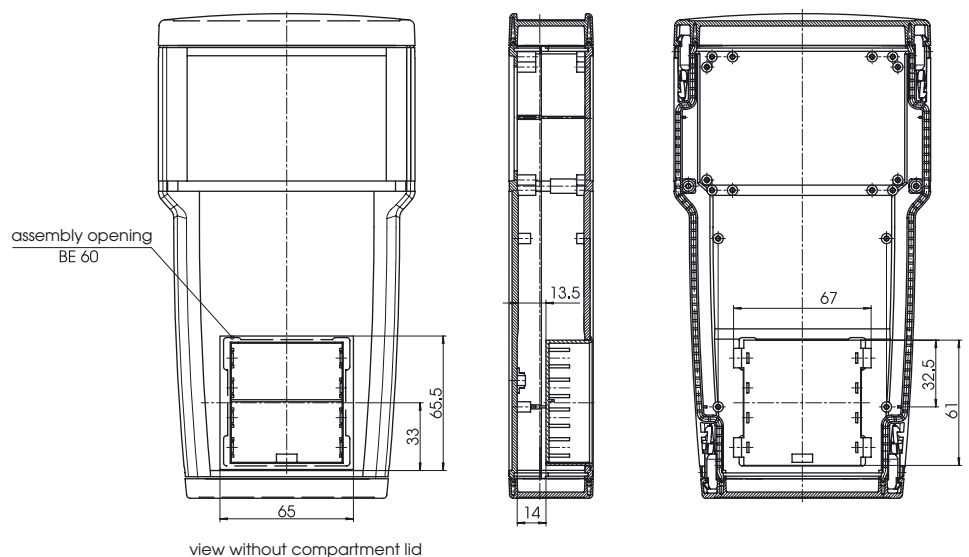
locks for caps.
Please order caps separately.

*= Universal docking station for data and power transfer.

ART 865 ... BE 30



ART 865 ... BE 60



BOPLA-ARTEB 865 with BE 30

In contrast to models ART 865 DIS and ART 865 F on page 488, these enclosures are also fitted on the rear with a BE 30 or BE 60 battery compartment. The battery compartment BE 30 is suitable for the use of 2 mignon batteries or one 9V block battery. The larger battery compartment BE 60 is suitable for the use of 4 mignon batteries or two 9V block batteries.

Details of matching caps and additional accessories such as display screens and snap locks are given on the following pages.

Ingress protection is IP 40; because of the fitted battery compartment, it cannot be increased to IP 65.



BOPLA-ARTEB 865 with BE 60

Caps

Order designation

Model	Order no.	Colour	PU
ART 865 KO-7038	34186521	● Agate grey, similar to RAL 7038	5 pcs
ART 865 KU-7038	34186531	● Agate grey, similar to RAL 7038	5 pcs
ART 865 KO-6027	34186522	● Light green, similar to RAL 6027	5 pcs
ART 865 KU-6027	34186532	● Light green, similar to RAL 6027	5 pcs
ART 865 KO-1016	34186523	● Sulphur yellow, sim. to RAL 1016	5 pcs
ART 865 KU-1016	34186533	● Sulphur yellow, sim. to RAL 1016	5 pcs
ART 865 KO-7037	34186524	● Dust grey, similar to RAL 7037	5 pcs
ART 865 KU-7037	34186534	● Dust grey, similar to RAL 7037	5 pcs
ART 865 KO-3000	34186525	● Flame red, similar to RAL 3000	5 pcs
ART 865 KU-3000	34186535	● Flame red, similar to RAL 3000	5 pcs
ART 865 KO-5015	34186527	● Sky blue, similar to RAL 5015	5 pcs
ART 865 KU-5015	34186537	● Sky blue, similar to RAL 5015	5 pcs
ART 865 KO-IR	34186526	● Black, infrared-permissive	5 pcs

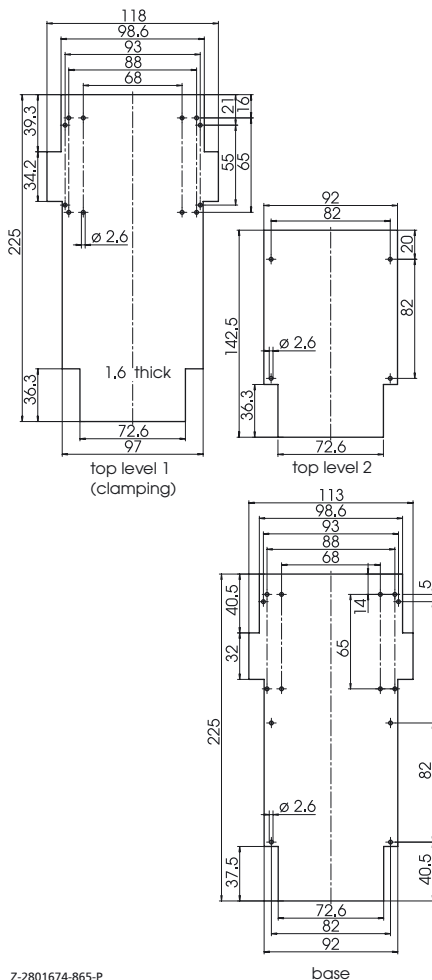
KO = cap at top KU = cap at bottom IR = infrared-permissive

Material: ABS; infrared-permissive caps: PC



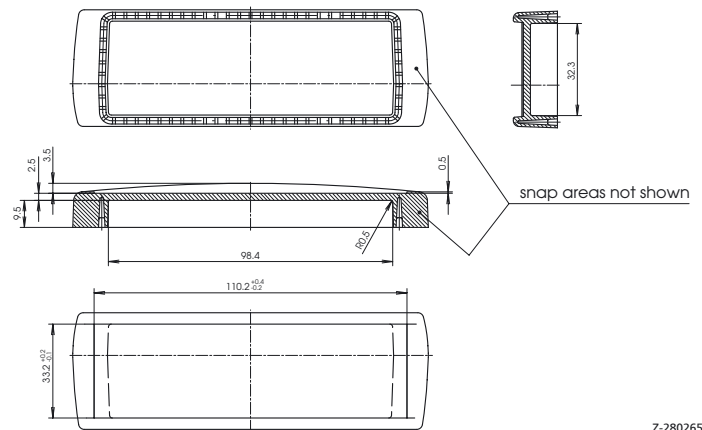
BOPLA-ARTEB caps for ART 865
 These caps are used to close the hand-held enclosure at the top and at the base. 6 different cap colours give each enclosure a very individual appearance. For IR remote control applications you may use infrared-permissive caps. A screwdriver is needed to disassemble the caps. For hand operation and blocking, please go to page 493 (snap locks).

Maximum PCB dimensions



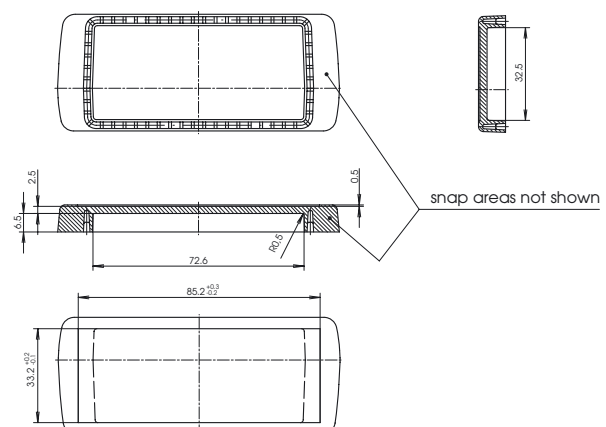
Z-2801674-865-P

Cap at top



Z-2802654

Cap at bottom



Z-2802655



BOPLA-ARTEB 865 accessories

Partitions for battery compartment

Order designation

Model	Order no.	PU
ART 865 BTU 1	34186541	5 pcs
ART 865 BTU 2	34186542	5 pcs
ART 865 BTU 3	34186543	5 pcs

Scope of delivery:

Partitions, adhesive sticker, sponge buffers.

Note:

The adhesive sticker (supplied) should be applied to the outside of the battery compartment.

Please order enclosure and caps separately.

For battery holders and 9V clips, see page 494 (BOPLA-ARTEB accessories).

Material:

ABS



BOPLA-ARTEB 865 with partition ART 865 BTU 1 for battery holder BH 4MN-BL (4 mignon batteries) or for 2 x 9V block batteries.



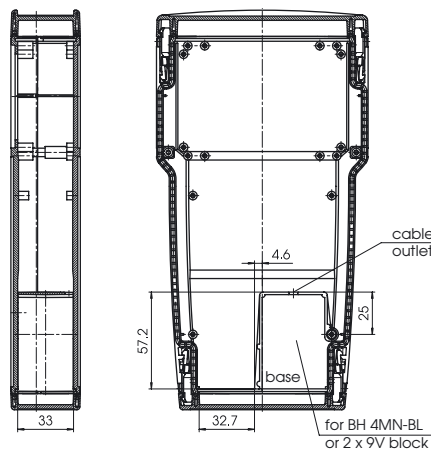
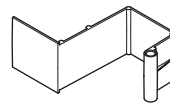
BOPLA-ARTEB 865 with partition ART 865 BTU 2 for battery holder BH 6MN-BL (6 mignon batteries).



BOPLA-ARTEB 865 with partition ART 865 BTU 3 for battery holder BH 4MN-BL (4 mignon batteries) or BH 6MN-BL (6 mignon batteries).

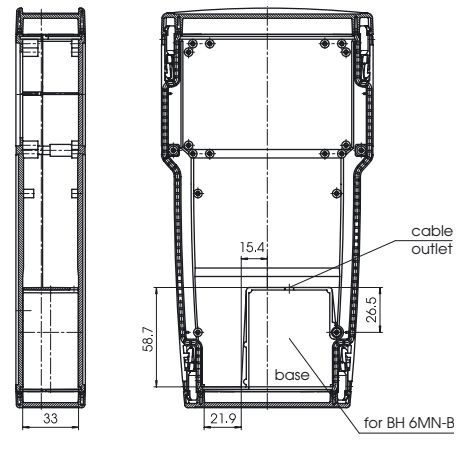
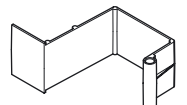
In contrast to partition ART 865 BTU 1 and ART 865 BTU 2, in this case the battery holders are fitted horizontally. This provides more space in the upper enclosure area for your applications.

ART 865 BTU 1



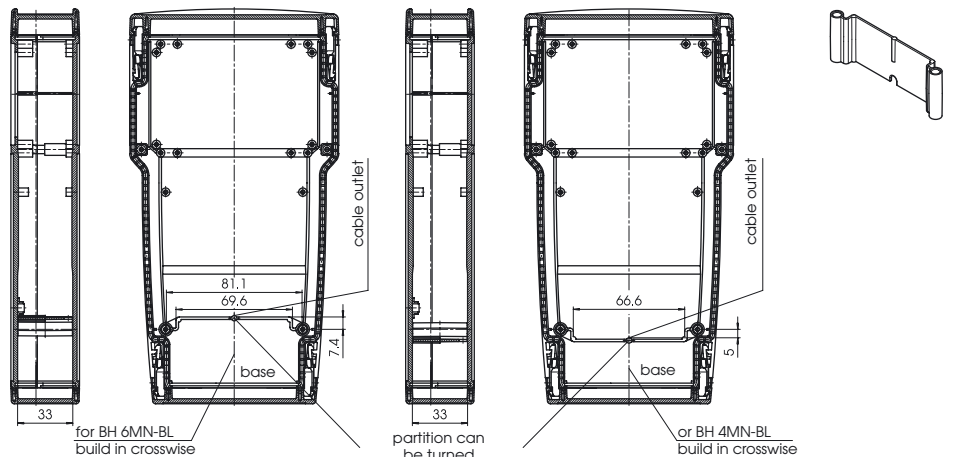
Z-2802065

ART 865 BTU 2



Z-2802066

ART 865 BTU 3



Z-2802067

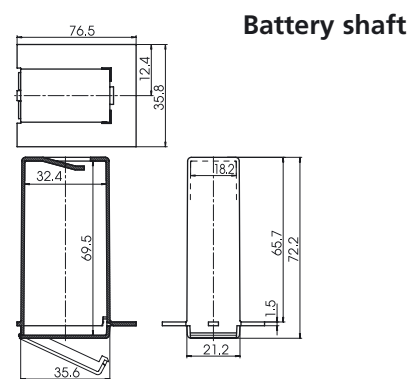
Order designation

Model	Order no.	PU
ART 865 BEU-2MN	34186561	5 pcs

Battery shaft in the base for battery holder BH 2 MN (2 mignons) or for 9V block batteries, see page 494.

Battery shaft for BOPLA-ARTEB 865.

Comes with integrated front panel to prevent contact with other built-in components.



Z-2801676-865-B

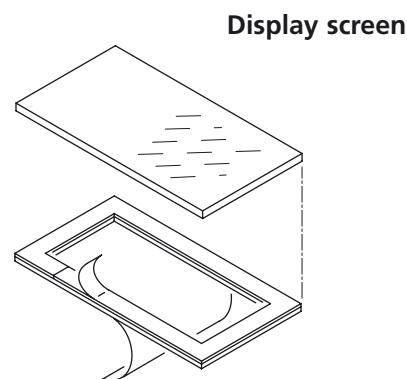
Order designation

Model	Order no.	PU
ART 800 DIS	34180041	5 pcs

Dimensions: 96.5 x 60.5 x 2 mm
Colour: clear

Display screen for BOPLA-ARTEB 865 DIS.

Unprinted, scratch-resistant coating on one side, with stick-on frame. Printing of the display screen is necessary in order to cover the stick-on frame. Printing and assembly on request. The scratch-proof side cannot be printed or glued.



Z-2801680

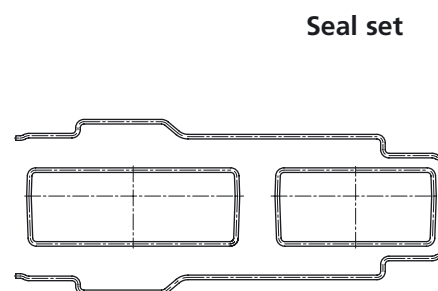
Order designation

Model	Order no.	PU
ART 865-DI	34186551	5 pcs

Seal set for BOPLA-ARTEB 865 to achieve IP 65.

The seal set can easily be fitted in the caps and the base.

Note:
Because of the fitted battery compartment BE 30/BE 60, the ingress protection for BOPLA-ARTEB 865 cannot be increased to IP 65.



Z-2801675-865-D

Order designation

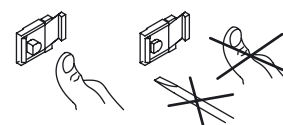
Model	Order no.	PU
ART-SV-HB-7038	34155573	10 pcs
ART-SV-SR-7038	34155572	10 pcs

HB = snap lock, hand-operated
SR = snap lock, blocking

Colour: agate grey, similar to RAL 7038

As a standard, each enclosure comes with tool-operated snap locks. A dismantling tool for opening the caps is shown in Accessories on page 495. For a more convenient way of opening the enclosure, e.g. for maintenance, for replacing built-in components or for changing the batteries, you can also order snap locks designed for hand operation. The top or base cap can then be opened by simply pressing the snap locks. If opening is to be prevented, the secure snap locks can be used, comparable to lead-sealing protection. Thus with the appropriate combination, the cap functions can be set separately for the top and for the base cap.

Snap locks



Z-2801681

BOPLA-ARTEB accessories



Batteries are not included in the scope of delivery.
For enclosures to be used with batteries we offer 6 different battery holders and a connection clip.
Packing unit: 5 pcs

Battery holders

Possible applications for direct installation without partition

Model					
ART 115...	ART 225...	ART 335...	ART 555...	ART 655...	ART 865...
		BH 4MC ¹	ART 555 BEU-2MN ² + BH 2MN	ART 655-BEU-2MN ² + BH 2MN	ART 865 BEU-2MN ² + BH 2MN
BH 2MC ¹	BH 2MC ¹	BH 2MN	ART 555 BEU-2MN ² + 9V block	ART 655-BEU-2MN ² + 9V block	ART 865 BEU-2MN ² + 9V block
		BH 3MN	BH 3MN	BH 4MN-BL	BH 4MN-BL
		1 x 9V block	2 x 9V block	BH 6MN-BL 2 x 9V block	BH 6MN-BL 2 x 9V block

Possible applications for models with partition

Model			
ART 335...	ART 555...	ART 655...	ART 865...
BH 2MN	BH 3MN	BH 4MN-BL	BH 4MN-BL
(ART 335 BTU-2)	(ART 555 BTU-1)	(ART 655 BTU-1)	(ART 865 BTU-1)
9V block		BH 6MN-BL	BH 6MN-BL
(ART 335 BTU-1)		(ART 655 BTU-2)	(ART 865 BTU-2)
		2x 9V block	BH 4MN-BL horiz.
		(ART 655 BTU-1)	(ART 865 BTU-3)
			BH 6MN-BL horiz.
			(ART 865 BTU-3)
			2x 9V block
			(ART 865 BTU-1)

Model	Order no.	max. L x W x H (mm)
BH 2MC ¹	34165572	52.6 x 26.9 x 12.0
BH 4MC ¹	34165573	50.6 x 47.8 x 12.8
BH 2MN ³	34165574	58.0 ⁴ x 31.9 x 17.2
BH 3MN ³	34165575	58.2 ⁴ x 49.7 x 17.5
BH 4MN-BL ³	34165576	58.6 ⁴ x 33.0 x 31.6
BH 6MN-BL ³	34165577	59.1 ⁴ x 48.4 x 31.5
BH 9V CLIP	34165578	Cable: approx. 100 mm long

Model	Number and type of batteries
BH 2MC ¹	2 x micro (LR03, R03, AM4, E92, AAA)
BH 4MC ¹	4 x micro (LR03, R03, AM4, E92, AAA)
BH 2MN ³	2 x mignon (LR6, R06, AM3, E91, AA)
BH 3MN ³	3 x mignon (LR6, R06, AM3, E91, AA)
BH 4MN-BL ³	4 x mignon (LR6, R06, AM3, E91, AA)
BH 6MN-BL ³	6 x mignon (LR6, R06, AM3, E91, AA)
BH 9V CLIP	Clip for 9V block (6LR61, 6AM6, 522)

¹ Connection with soldering tags

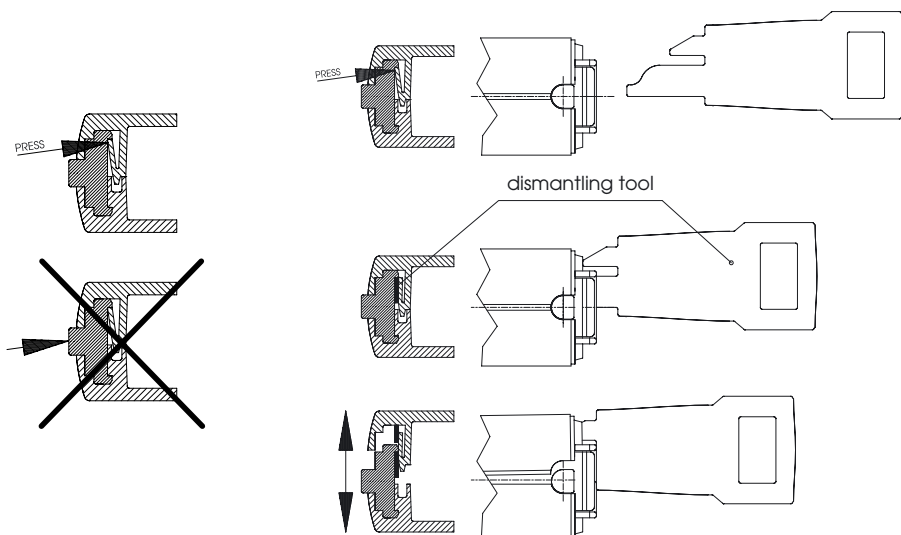
² For battery shaft for BOPLA-ARTEB, see product pages

³ Connection clip included in scope of delivery

⁴ Length including clip: additional 8 mm

Note on dismantling

Accessory	Order no.
Dismantling tool	3433574



Z-2801909



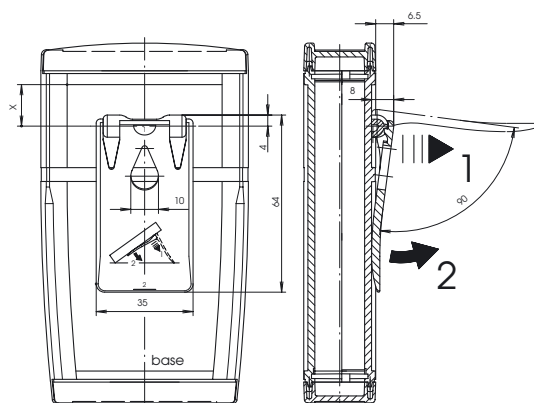
This dismantling tool releases the snaps in the lid and opens the lid and base during insertion.

BOPLA-ARTEB set-up clip

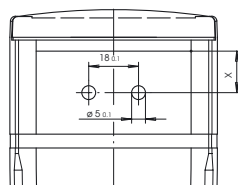
Model	Order no.	Material	Colour
ASC 1	34090010	Polyamide	Agate grey, similar to RAL 7038

Uses:

1. As a clip for attaching units in shirt or jacket pockets.
2. As a set-up bow; release the hinged section at the bearing (1) and swivel by 90° (2).
3. For use as a wall hanging unit when in closed state.



BOPLA-ARTEB enclosure assembly



Enclosures	X
ART 225	6.5
ART 335	15.0
ART 555	15.0

Z-2800893



ASC 1
The ASC 1 set-up clip can easily be fitted to any BOPLA-ARTEB enclosure and is suitable for the uses described on the left.