



The new concept for applications in measurement, control and automatic control technology.

The design-orientated BOCARD enclosure system is available in 3 basic sizes. For each size, 2 bases with different heights can be combined with 5 different lid variants. This range of combinations ensures that the enclosure is suitable for an extremely wide range of applications. An additional important feature of BOCARD is the variable terminal compartment, which is an integral part of the design. The terminal compartment can be kept separate from the electronics compart-

ment by means of partitions. High parts such as double-deck terminals can also easily be incorporated. The enclosure with a clear hinged lid or membrane lid provides ingress protection IP 65; all other types provide ingress protection IP 40. A wide variety of accessories completes the range of products. As a professional and competent partner in the field of system solutions, in addition to mechanical processing, BOPLA also offers customer-specific membrane keypads or the assembly of complete enclosures including electronic components.



Enclosure material: ABS; clear lid made of polycarbonate; for technical data see pages 646-651. V0 type see note; DIN rail holder made of polyamide.

Colour: Bases light grey, similar to RAL 7035; lids light grey, similar to RAL 7035 or graphite grey, similar to RAL 7024; DIN rail holder black, similar to RAL 9005. Special colours on request.

Ingress protection: Depending on enclosure design up to IP65 / DIN EN 60529.

Accessories (additional charge):

BCD FP ...: front panel aluminium
 BCD FPK ...: front panel plastic
 BCD TP ...: partition hard paper
 BCD M ...: mounting panel hard paper
 BCD WL-7035: wall brackets
 TSH 35-2: set of DIN rail holders
 SHLO 402: cylinder lock
 BCD ... WB: wall mounting fastening angle
 BCD HS 2-9005: handle

Note:
 On request, all models are available in UL 94 V0, enclosure material Lexan 500 R, clear lid made of Lexan 940 A.

Additional special materials and special colours are available on request.

A selection of the available enclosure configurations is shown on pages 284-287. When ordering these BOCARD complete sets, please note that delivery is in the form of individual components. On request we can carry out complete assembly of the enclosure.

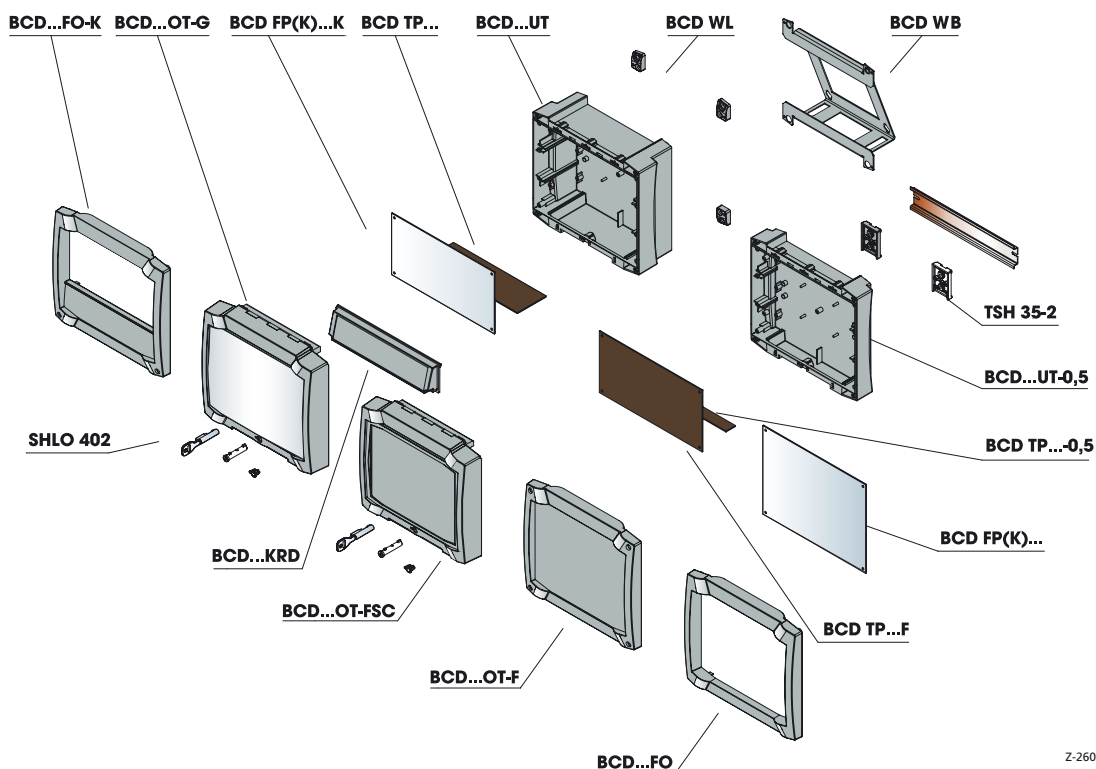
Details of the individual components are shown starting on page 288, where you can also design your own individual enclosure.



Note

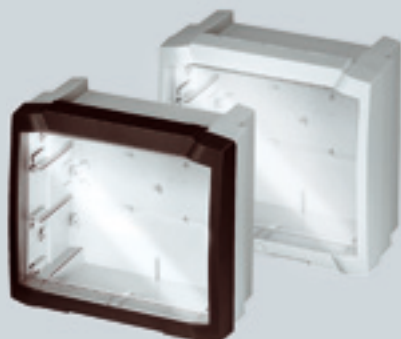
BOCARD also available for wall / desktop application. For information see page 312.

BOCARD overview:

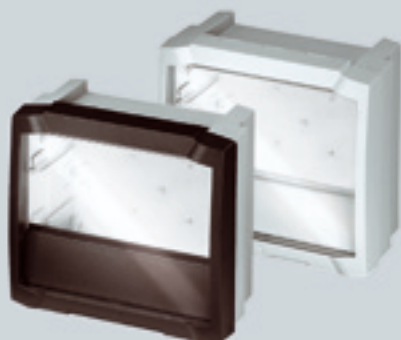


Z-2602437

BOCARD – complete enclosures



Ingress protection IP 65



Ingress protection IP 65



Ingress protection IP 65

High enclosure, with clear hinged lid, without terminal compartment

Order designation

Model	Light grey		Model	Graphite grey			
	Order no.			Order no.	H	W	D
BCD 160 Set 01-7035	20163501		BCD 160 Set 01-7024	20162401	179	199	106.5
BCD 200 Set 01-7035	20203501		BCD 200 Set 01-7024	20202401	204	229	116.0
BCD 250 Set 01-7035	20253501		BCD 250 Set 01-7024	20252401	234	264	141.0

Scope of delivery:

- 1 x BCD ... UT-7035
- 1 x BCD ... OT-G- ...

Note:

For front panels, partitions, screws etc., see Accessories starting on page 312.

High enclosure, with clear hinged lid, for 1 terminal compartment

Order designation

Model	Light grey		Model	Graphite grey			
	Order no.			Order no.	H	W	D
BCD 160 Set 03-7035	20163503		BCD 160 Set 03-7024	20162403	179	199	106.5
BCD 200 Set 03-7035	20203503		BCD 200 Set 03-7024	20202403	204	229	116.0
BCD 250 Set 03-7035	20253503		BCD 250 Set 03-7024	20252403	234	264	141.0

Scope of delivery:

- 1 x BCD ... UT-7035
- 1 x BCD ... OT-G- ...
- 1 x BCD ... KRD- ...

Note:

For front panels, partitions, screws etc., see Accessories starting on page 312.

High enclosure, with clear hinged lid, for 2 terminal compartments

Order designation

Model	Light grey		Model	Graphite grey			
	Order no.			Order no.	H	W	D
BCD 160 Set 05-7035	20163505		BCD 160 Set 05-7024	20162405	179	199	106.5
BCD 200 Set 05-7035	20203505		BCD 200 Set 05-7024	20202405	204	229	116.0
BCD 250 Set 05-7035	20253505		BCD 250 Set 05-7024	20252405	234	264	141.0

Scope of delivery:

- 1 x BCD ... UT-7035
- 1 x BCD ... OT-G- ...
- 2 x BCD ... KRD- ...

Note:

For front panels, partitions, screws etc., see Accessories starting on page 312.

Delivery of the complete BOCARD sets shown on pages 284-287 is in the form of individual components. On request we can carry out complete assembly of the enclosure. Details of the individual components are shown starting on page 288, where you can also design your own individual enclosure.

Flat enclosure, with clear hinged lid, without terminal compartment

Order designation

Model	Light grey		Graphite grey			
	Order no.	Model	Order no.	H	W	D
BCD 160 Set 02-7035	20163502	BCD 160 Set 02-7024	20162402	179	199	71.5
BCD 200 Set 02-7035	20203502	BCD 200 Set 02-7024	20202402	204	229	76.0
BCD 250 Set 02-7035	20253502	BCD 250 Set 02-7024	20252402	234	264	86.0

Scope of delivery:

1 x BCD ... UT-0,5-7035

1 x BCD ... OT-G- ...

Note:

For front panels, partitions, screws etc., see Accessories starting on page 312.

Flat enclosure, with clear hinged lid, for 1 terminal compartment

Order designation

Model	Light grey		Graphite grey			
	Order no.	Model	Order no.	H	W	D
BCD 160 Set 04-7035	20163504	BCD 160 Set 04-7024	20162404	179	199	71.5
BCD 200 Set 04-7035	20203504	BCD 200 Set 04-7024	20202404	204	229	76.0
BCD 250 Set 04-7035	20253504	BCD 250 Set 04-7024	20252404	234	264	86.0

Scope of delivery:

1 x BCD ... UT-0,5-7035

1 x BCD ... OT-G- ...

1 x BCD ... KRD- ...

Note:

For front panels, partitions, screws etc., see Accessories starting on page 312.

Flat enclosure, with clear hinged lid, for 2 terminal compartments

Order designation

Model	Light grey		Graphite grey			
	Order no.	Model	Order no.	H	W	D
BCD 160 Set 06-7035	20163506	BCD 160 Set 06-7024	20162406	179	199	71.5
BCD 200 Set 06-7035	20203506	BCD 200 Set 06-7024	20202406	204	229	76.0
BCD 250 Set 06-7035	20253506	BCD 250 Set 06-7024	20252406	234	264	86.0

Scope of delivery:

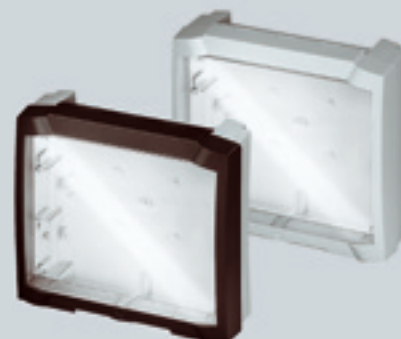
1 x BCD ... UT-0,5-7035

1 x BCD ... OT-G- ...

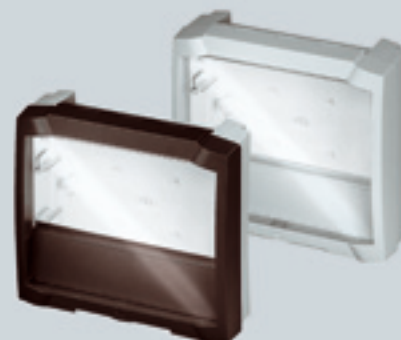
2 x BCD ... KRD- ...

Note:

For front panels, partitions, screws etc., see Accessories starting on page 312.



Ingress protection IP 65



Ingress protection IP 65

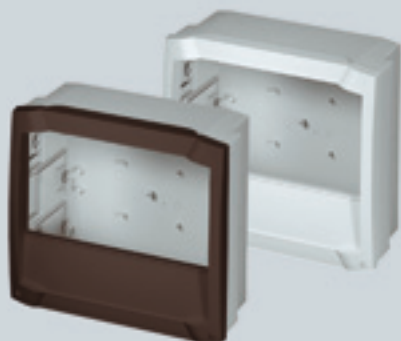


Ingress protection IP 65

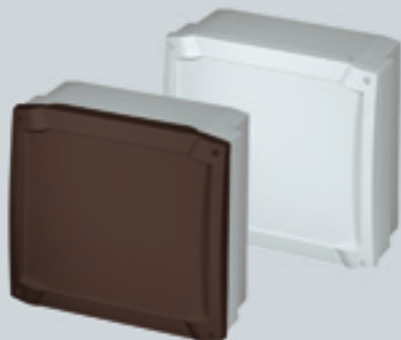
BOCARD – complete enclosures



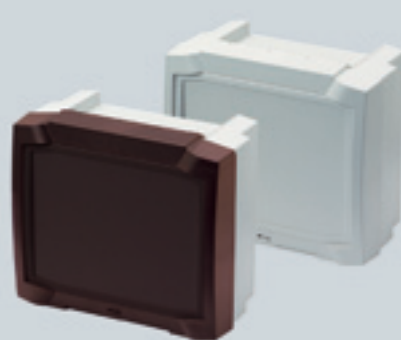
Ingress protection IP 40



Ingress protection IP 40



Ingress protection IP 65



Ingress protection IP 65

High enclosure, with front frame open, without terminal compartment

Order designation

Model	Light grey		Graphite grey			
	Order no.	Model	Order no.	H	W	D
BCD 160 Set 07-7035	20163507	BCD 160 Set 07-7024	20162407	178	199	89.0
BCD 200 Set 07-7035	20203507	BCD 200 Set 07-7024	20202407	203	229	99.0
BCD 250 Set 07-7035	20253507	BCD 250 Set 07-7024	20252407	233	264	124.0

Scope of delivery:
1 x BCD ... UT-7035
1 x BCD ... FO- ...

Note:
For front panels, partitions, screws etc., see Accessories starting on page 312.

High enclosure, with front frame open, incl. terminal compartment cover

Order designation

Model	Light grey		Graphite grey			
	Order no.	Model	Order no.	H	W	D
BCD 160 Set 09-7035	20163509	BCD 160 Set 09-7024	20162409	178	199	89.0
BCD 200 Set 09-7035	20203509	BCD 200 Set 09-7024	20202409	203	229	99.0
BCD 250 Set 09-7035	20253509	BCD 250 Set 09-7024	20252409	233	264	124.0

Scope of delivery:
1 x BCD ... UT-7035
1 x BCD ... FO-K- ...

Note:
For front panels, partitions, screws etc., see Accessories starting on page 312.

High enclosure, with membrane lid

Order designation

Model	Light grey		Graphite grey			
	Order no.	Model	Order no.	H	W	D
BCD 160 Set 11-7035	20163511	BCD 160 Set 11-7024	20162411	178	199	89.0
BCD 200 Set 11-7035	20203511	BCD 200 Set 11-7024	20202411	203	229	99.0
BCD 250 Set 11-7035	20253511	BCD 250 Set 11-7024	20252411	233	264	124.0

Scope of delivery:
1 x BCD ... UT-7035
1 x BCD ... OT-F- ...

Note:
For front panels, partitions, screws etc., see Accessories starting on page 312.

High enclosure, with hinged membrane lid

Order designation

Model	Light grey		Graphite grey			
	Order no.	Model	Order no.	H	W	D
BCD 160 Set 13-7035	20163513	BCD 160 Set 13-7024	20162413	179	199	106.5
BCD 200 Set 13-7035	20203513	BCD 200 Set 13-7024	20202413	204	229	116.0
BCD 250 Set 13-7035	20253513	BCD 250 Set 13-7024	20252413	234	264	141.0

Scope of delivery:
1 x BCD ... UT-7035
1 x BCD ... OT-FSC

Note:
For front panels, partitions, screws etc., see Accessories starting on page 312.

Delivery of the complete BOCARD sets shown on pages 284-287 is in the form of individual components. On request we can carry out complete assembly of the enclosure. Details of the individual components are shown starting on page 288, where you can also design your own individual enclosure.

Flat enclosure, with front frame open, without terminal compartment

Order designation

Light grey			Graphite grey			
Model	Order no.	Model	Order no.	H	W	D
BCD 160 Set 08-7035	20163508	BCD 160 Set 08-7024	20162408	178	199	54.0
BCD 200 Set 08-7035	20203508	BCD 200 Set 08-7024	20202408	203	229	59.0
BCD 250 Set 08-7035	20253508	BCD 250 Set 08-7024	20252408	233	264	69.0

Scope of delivery:

1 x BCD ... UT-0,5-7035
1 x BCD ... FO- ...

Note:

For front panels, partitions, screws etc., see Accessories starting on page 312.

Flat enclosure, with front frame open, incl. terminal compartment cover

Order designation

Light grey			Graphite grey			
Model	Order no.	Model	Order no.	H	W	D
BCD 160 Set 10-7035	20163510	BCD 160 Set 10-7024	20162410	178	199	54.0
BCD 200 Set 10-7035	20203510	BCD 200 Set 10-7024	20202410	203	229	59.0
BCD 250 Set 10-7035	20253510	BCD 250 Set 10-7024	20252410	233	264	69.0

Scope of delivery:

1 x BCD ... UT-0,5-7035
1 x BCD ... FO-K- ...

Note:

For front panels, partitions, screws etc., see Accessories starting on page 312.

Flat enclosure, with membrane lid

Order designation

Light grey			Graphite grey			
Model	Order no.	Model	Order no.	H	W	D
BCD 160 Set 12-7035	20163512	BCD 160 Set 12-7024	20162412	178	199	54.0
BCD 200 Set 12-7035	20203512	BCD 200 Set 12-7024	20202412	203	229	59.0
BCD 250 Set 12-7035	20253512	BCD 250 Set 12-7024	20252412	233	264	69.0

Scope of delivery:

1 x BCD ... UT-0,5-7035
1 x BCD ... OT-F- ...

Note:

For front panels, partitions, screws etc., see Accessories starting on page 312.

Flat enclosure, with hinged membrane lid

Order designation

Light grey			Graphite grey			
Model	Order no.	Model	Order no.	H	W	D
BCD 160 Set 14-7035	20163514	BCD 160 Set 14-7024	20162414	179	199	71.5
BCD 200 Set 14-7035	20203514	BCD 200 Set 14-7024	20202414	204	229	76.0
BCD 250 Set 14-7035	20253514	BCD 250 Set 14-7024	20252414	234	264	86.0

Scope of delivery:

1 x BCD ... UT-0,5-7035
1 x BCD ... OT-FSC

Note:

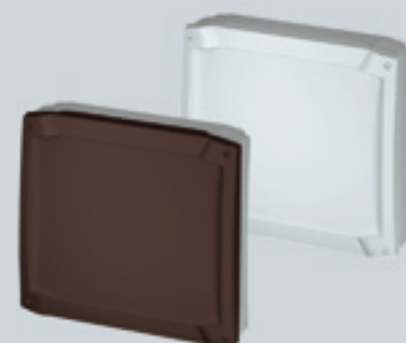
For front panels, partitions, screws etc., see Accessories starting on page 312.



Ingress protection IP 40



Ingress protection IP 40



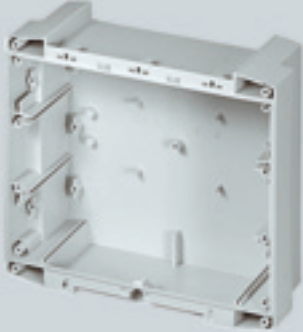
Ingress protection IP 65



Ingress protection IP 65



BOCARD BCD 160



The high base, available in light grey, can be combined with different front elements (see pages 290-295). Additional accessories e.g. front panels, mounting panels or partitions are shown on pages 312-319. Depending on the lid which is used, the ingress protection which can be achieved is from IP 40 to IP 65.



The flat base, available in light grey, can be combined with different front elements (see pages 290-295). Additional accessories e.g. front panels, mounting panels or partitions are shown on pages 312-319. Depending on the lid which is used, the ingress protection which can be achieved is from IP 40 to IP 65.

Base, high

Order designation

Model	Order no.	H	W	D	Description
BCD 160 UT-7035	20160135	173	195	70.0	Base, high, light grey, similar to RAL 7035

Scope of delivery:

1 base, high

Note:

The high base has the following features:

- PCB slots
- Fixing domes for PCBs, mounting panels and DIN rails
- Variable terminal compartment(s) can be sealed off by means of partitions
- Front panels, max. 3 mm thick, can be fitted
- No pre-punchings; smooth external surfaces for customers' individual design of the cable inlets and connections
- Depending on which side is used for installation, cable glands are partially covered
- Wall assembly via the integrated 4-point wall fixing system, or with wall brackets (Accessories)
- Can be fitted on DIN rail (Accessories)
- 5 different lids can be fitted: BCD 160 OT-G- ..., BCD 160 FO- ..., BCD 160 FO-K- ..., BCD 160 OT-F- ..., BCD 160 OT-FSC-...
- In combination with the wall mounting fastening angle it can be used as wall enclosure, see page 312.

Base, flat

Order designation

Model	Order no.	H	W	D	Description
BCD 160 UT-0,5-7035	20160235	173	195	35.0	Base, flat, light grey, similar to RAL 7035

Scope of delivery:

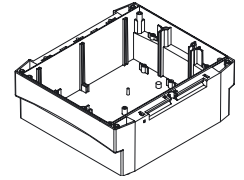
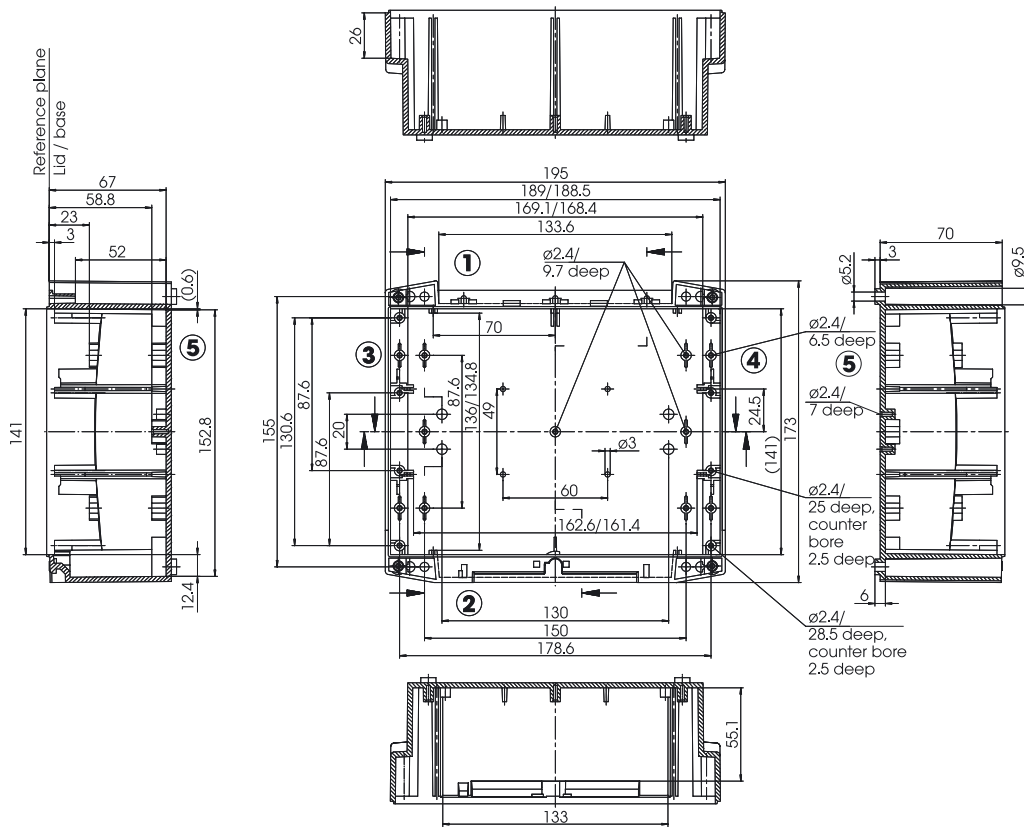
1 base, flat

Note:

The flat base has the following features:

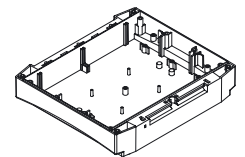
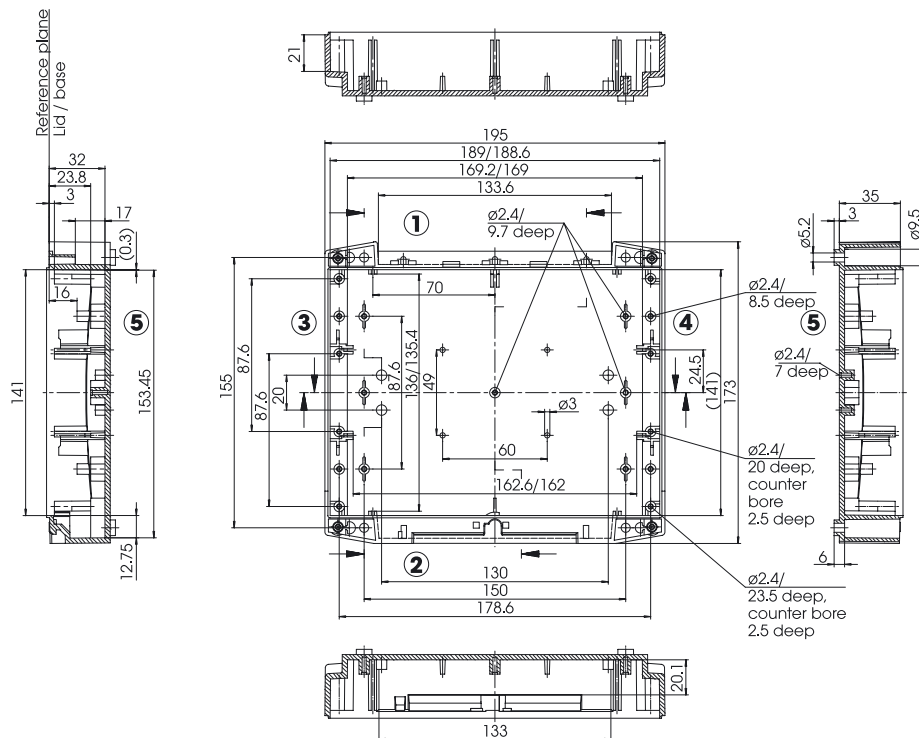
- PCB slots
- Fixing domes for PCBs, mounting panels and DIN rails
- Variable terminal compartment(s) can be sealed off by means of partitions
- Front panels, max. 3 mm thick, can be fitted
- No pre-punchings; smooth external surfaces for customers' individual design of the cable inlets and connections
- Depending on which side is used for installation, cable glands are partially covered
- Wall assembly via the integrated 4-point wall fixing system, or with wall brackets (Accessories)
- Can be fitted on DIN rail (Accessories)
- 5 different lids can be fitted: BCD 160 OT-G- ..., BCD 160 FO- ..., BCD 160 FO-K- ..., BCD 160 OT-F- ..., BCD 160 OT-FSC-...
- In combination with the wall mounting fastening angle it can be used as wall and desktop enclosure, see page 312.

BCD 160 UT-7035



Z-2602374

BCD 160 UT-0,5-7035



Z-2602375



BOCARD BCD 160



The BCD 160 OT-G- ... consists of a clear lid with a frame in light grey or graphite grey which contains the hinge and the snap-lock mechanism. The BCD 160 OT-G- ... can be opened to more than 180°, with an intermediate locking position of more than 90°. This prevents the open lid from closing in an uncontrolled manner. Ingress protection IP 65 is achieved with the appropriate base.



The BCD 160 OT-FSC- ... consists of a membrane lid to hold front membranes or membrane keypads and which contains the hinge and the snap-lock mechanism. The BCD 160 OT-FSC-... can be opened by more than 180°, with an intermediate stop at more than 90°. Ingress protection IP 65 is achieved with the appropriate base.

Glass-clear lid, hinged

Order designation

Model	Order no.	H	W	D	Description
BCD 160 OT-G-7035	20161035	179	199	36.5	Clear lid, hinged with snap-lock, light grey, similar to RAL 7035
BCD 160 OT-G-7024	20161024	179	199	36.5	Clear lid, hinged with snap-lock, graphite grey similar to RAL 7024

Scope of delivery:

- 1 lid, hinged
- 1 catch
- 1 blind plug

Assembly note:

The OT-G hinge is latched onto the base.

To open: The catch is not necessary for manual opening. The blind plug can be inserted to improve the appearance (catch and blind plug are included in the scope of delivery). If the catch is used, after closing the enclosure can only be opened with a tool (slotted-head screwdriver). A cylinder lock (optional) can also be fitted to prevent unauthorised opening of the enclosure.

The lock type SHLO 402 is shown in Accessories on page 319.

Membrane lid, hinged

Order designation

Model	Order no.	H	W	D	Description
BCD 160 OT-FSC-7035	20161535	179	199	36.5	Membrane lid, hinged with snap-lock, light grey, similar to RAL 7035
BCD 160 OT-FSC-7024	20161524	179	199	36.5	Membrane lid, hinged with snap-lock, graphite grey, similar to RAL 7024

Scope of delivery:

- 1 membrane lid
- 1 catch
- 1 blind plug

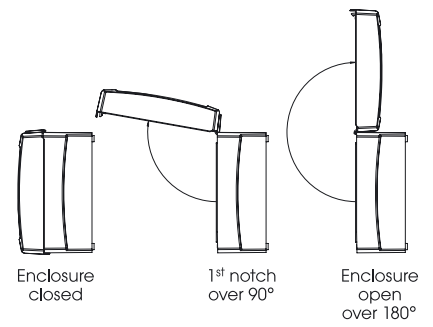
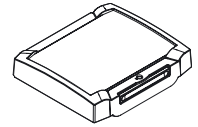
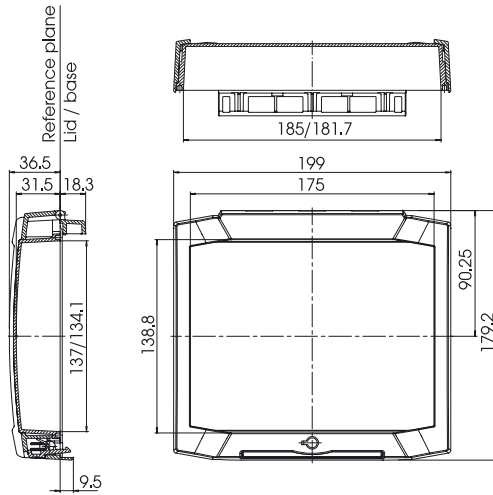
Assembly note:

The OT-FSC hinge is latched onto the base.

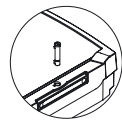
To open: The catch is not necessary for manual opening. The blind plug can be inserted to improve the appearance (catch and blind plug are included in the scope of delivery). If the catch is used, after closing the enclosure can only be opened with a tool (slotted-head screwdriver). A cylinder lock (optional) can also be fitted to prevent unauthorised opening of the enclosure.

The lock type SHLO 402 is shown in Accessories on page 319.

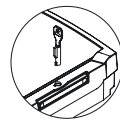
BCD 160 OT-G- ...



BCD blind plug (included)

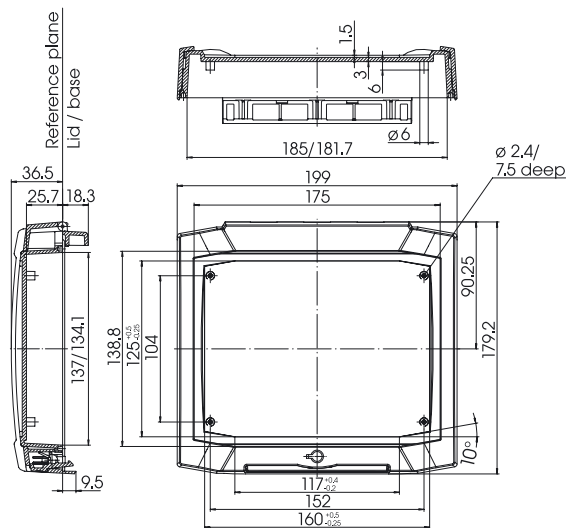


BCD catch (included)

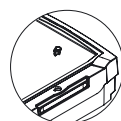
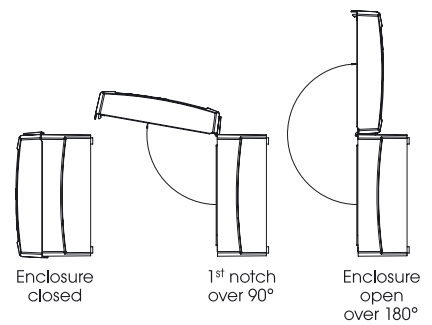
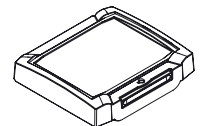


Lock SHLO 402 (accessory)

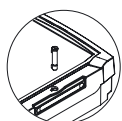
Z-2602376



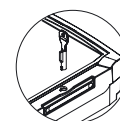
BCD 160 OT-FSC- ...



BCD blind plug (included)



BCD catch (included)



Lock SHLO 402 (accessory)

Z-2602634



BOCARD BCD 160



The terminal compartment lid is available in light grey or graphite grey and has an area recessed by 1.5 mm to hold front membranes or membrane keypads. The ingress protection of the enclosure is not affected by the terminal compartment lid, which is inside the seal section (integrated).



The BCD 160 FO- ... is used for edge covering of a continuous front panel on the base. Ingress protection IP 40 is achieved with the front panel and the appropriate base.



The BCD 160 FO-K- ... is used for edge covering of a front panel and a terminal compartment in the base. The terminal compartment section has an area recessed by 1.5 mm to hold front membranes or membrane keypads. Ingress protection IP 40 is achieved with the front panel and the appropriate base.

Terminal compartment lid

Order designation

Model	Order no.	H	W	D	Description
BCD 160 KRD-7035	20162035	44	188	19.5	Terminal compartment lid, light grey, similar to RAL 7035
BCD 160 KRD-7024	20162024	44	188	19.5	Terminal compartment lid, graphite grey, similar to RAL 7024

Scope of delivery:

1 terminal compartment lid,
2 screws

Note:

The terminal compartment lid closes the terminal compartment after the base has been divided by means of partitions and front panels. Assembly is by means of hooking in and screwing (screws are included in the scope of delivery). The terminal compartment can be arranged on the hinged side or the locking side, as required. It is also possible to set up 2 terminal compartments.

For partitions and front panels, see Accessories starting on page 314.

Front frame, open

Order designation

Model	Order no.	H	W	D	Description
BCD 160 FO-7035	20161135	178	199	19.0	Front frame open, light grey, similar to RAL 7035
BCD 160 FO-7024	20161124	178	199	19.0	Front frame open, graphite grey, similar to RAL 7024

Scope of delivery:

1 front frame

Assembly note:

The frame is pushed onto the base and pressed tight.

For front panels, see Accessories starting on page 314.

Front frame, open, with terminal compartment cover

Order designation

Model	Order no.	H	W	D	Description
BCD 160 FO-K-7035	20161235	178	199	19.0	Front frame open with terminal compartment cover, light grey, similar to RAL 7035
BCD 160 FO-K-7024	20161224	178	199	19.0	Front frame open with terminal compartment cover, graphite grey, similar to RAL 7024

Scope of delivery:

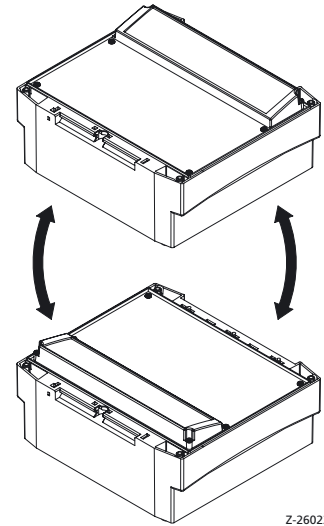
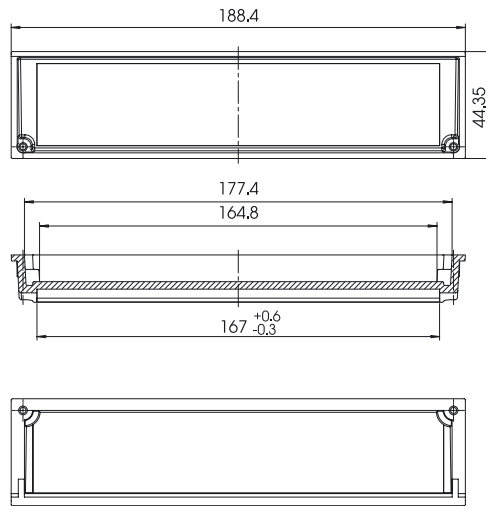
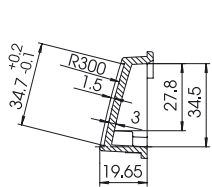
1 front frame with terminal compartment cover,
screws, screw covers

Assembly note:

The frame is pushed onto the base, pressed tight in 2 places, and screwed to the terminal compartment (screws included in the scope of delivery).

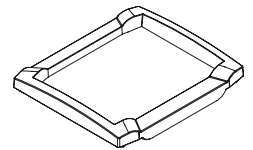
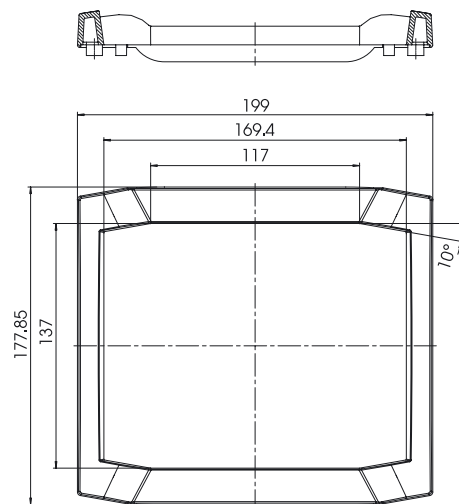
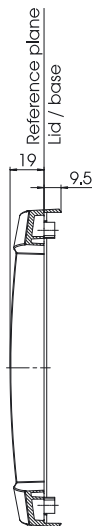
For partitions and front panels, see Accessories starting on page 314.

BCD 160 KR- ...



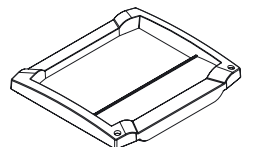
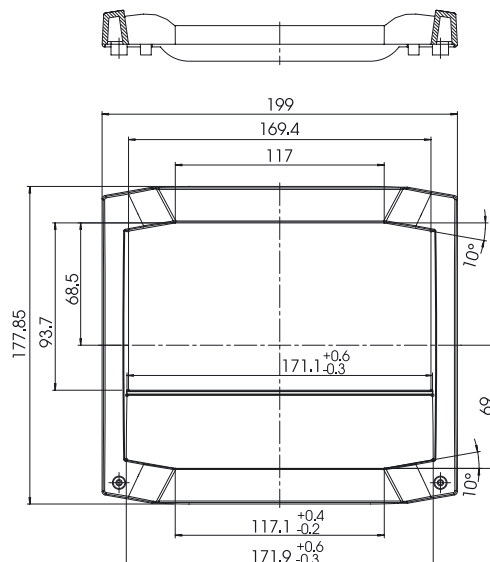
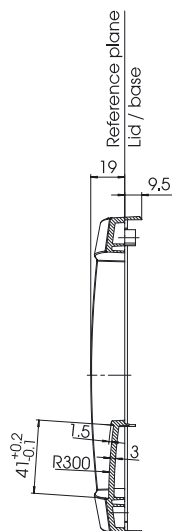
Z-2602377

BCD 160 FO- ...



Z-2602378

BCD 160 FO-K- ...



Z-2602379



BOCARD BCD 160



The BCD 160 OT-F- ... is a closed membrane lid. It has an area to hold front membranes or membrane keypads. With the appropriate base, ingress protection IP 65 can be achieved.



BCD 160 CF-7035

Membrane lid

Order designation

Model	Order no.	H	W	D	Description
BCD 160 OT-F-7035	20161335	178	199	19.0	Membrane lid, light grey, similar to RAL 7035
BCD 160 OT-F-7024	20161324	178	199	19.0	Membrane lid, graphite grey, similar to RAL 7024

Scope of delivery:

1 membrane lid,
screws, screw covers

Assembly note:

The membrane lid is screwed onto the base. On the underside of the membrane lid there are bosses for fitting PCBs.

Partitions can be used to divide a terminal compartment and close the electronics compartment.

For partitions, see Accessories starting on page 314.

Installation front

Order designation

Model	Order no.	H	W	D	Description
BCD 160 CF-7035	20161435	178	199	20.5	Installation front, light grey, similar to RAL 7035
BCD 160 CF-7024	20161424	178	199	20.5	Installation front, graphite grey, sim. to RAL 7024

Scope of delivery:

1 installation front,
screws, screw covers

Ingress protection: IP 40 to the control panel, upgradable with seal (see below)

Seal for installation front

Order designation

Model	Order no.	H	W	D	Description
BCD 160 CF-DI	20161400	162	193	3	Seal, black, similar to RAL 9005, self-adhesive on one side

Scope of delivery:

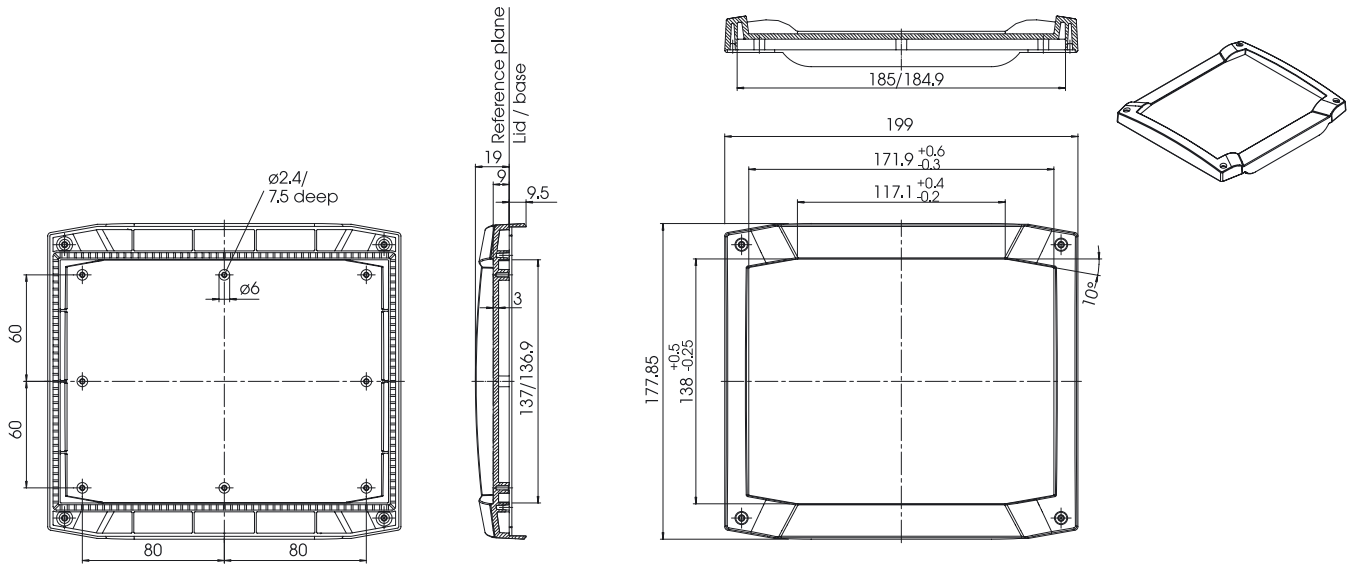
1 seal

Note:

Alternatively the seal can be applied to the control panel (positioned over the internal cut-out) or to the installation front.

Ingress protection acc. to DIN EN 60529 possible up to max. IP 65, depending on thickness and type of control panel.

BCD 160 OT-F- ...



Z-2602380

BCD 160 CF- ...

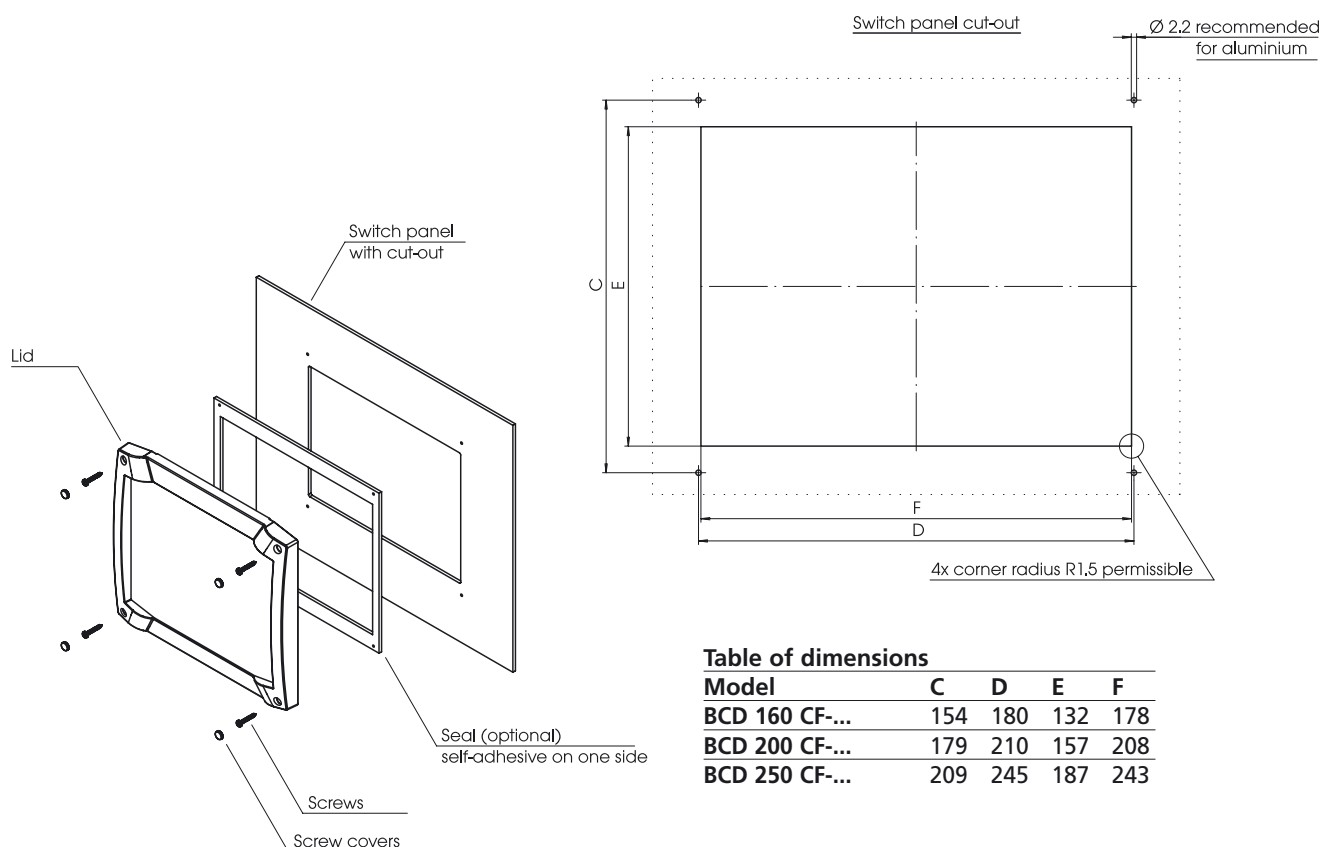


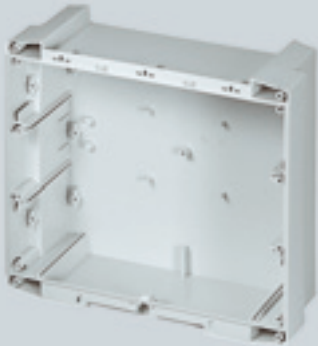
Table of dimensions

Model	C	D	E	F
BCD 160 CF-...	154	180	132	178
BCD 200 CF-...	179	210	157	208
BCD 250 CF-...	209	245	187	243

Z-2602443



BOCARD BCD 200



The high base, available in light grey, can be combined with different front elements (see pages 298-303). Additional accessories e.g. front panels, mounting panels or partitions are shown on pages 312-319. Depending on the lid which is used, the ingress protection which can be achieved is from IP 40 to IP 65.



The flat base, available in light grey, can be combined with different front elements (see pages 298-303). Additional accessories e.g. front panels, mounting panels or partitions are shown on pages 312-319. Depending on the lid which is used, the ingress protection which can be achieved is from IP 40 to IP 65.

Base, high

Order designation

Model	Order no.	H	W	D	Description
BCD 200 UT-7035	20200135	198	225	80.0	Base, high, light grey, similar to RAL 7035

Scope of delivery:

1 base, high

Note:

The high base has the following features:

- PCB slots
- Fixing domes for PCBs, mounting panels and DIN rails
- Variable terminal compartment(s) can be sealed off by means of partitions
- Front panels, max. 3 mm thick, can be fitted
- No pre-punchings; smooth external surfaces for customers' individual design of the cable inlets and connections
- Depending on which side is used for installation, cable glands are partially covered
- Wall assembly via the integrated 4-point wall fixing system, or with wall brackets (Accessories)
- Can be fitted on DIN rail (Accessories)
- 5 different lids can be fitted:
BCD 200 OT-G- ..., BCD 200 FO- ..., BCD 200 FO-K- ..., BCD 200 OT-F- ..., BCD 200 OT-FSC- ...
- In combination with the wall mounting fastening angle it can be used as wall and desktop enclosure, see page 312.

Base, flat

Order designation

Model	Order no.	H	W	D	Description
BCD 200 UT-0,5-7035	20200235	198	225	40.0	Base flat, light grey, similar to RAL 7035

Scope of delivery:

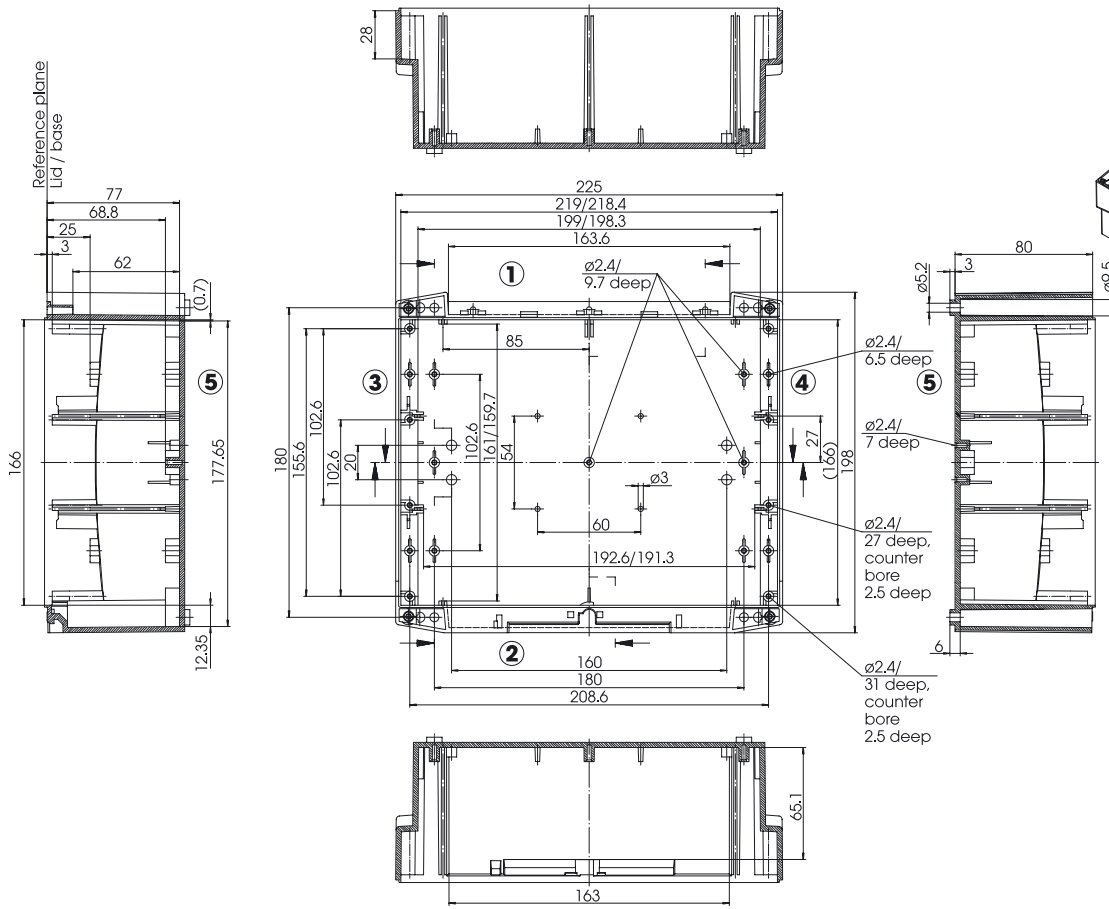
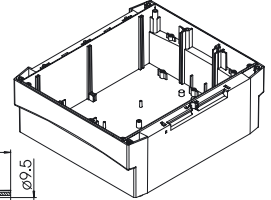
1 base, flat

Note:

The flat base has the following features:

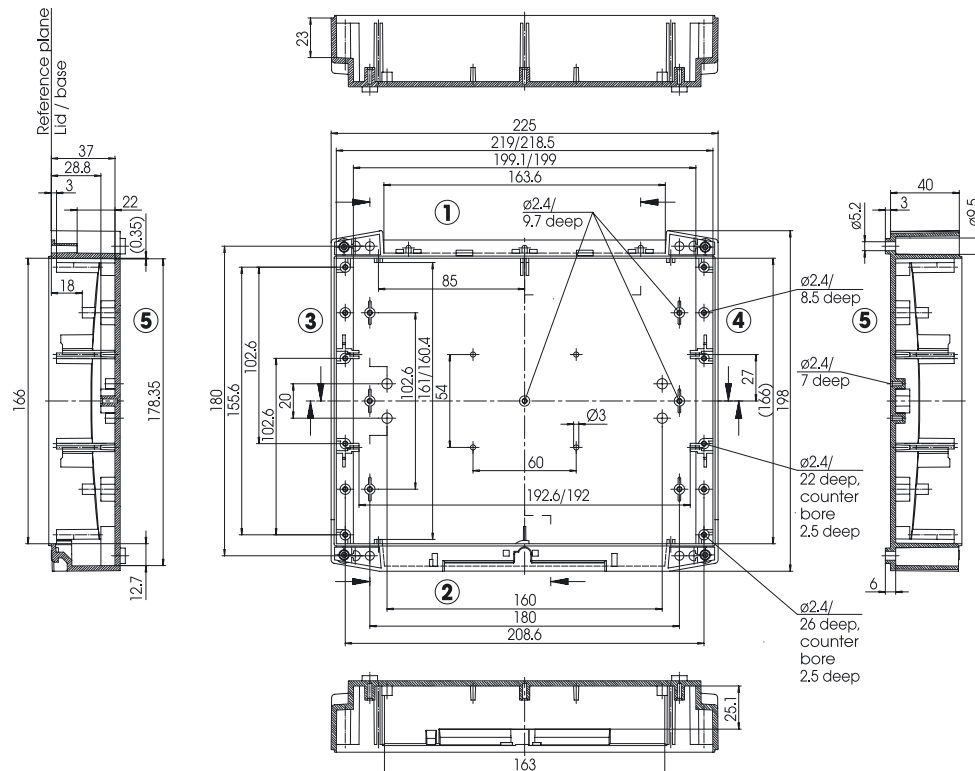
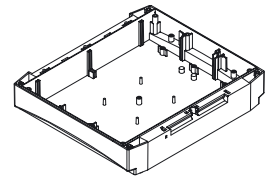
- PCB slots
- Fixing domes for PCBs, mounting panels and DIN rails
- Variable terminal compartment(s) can be sealed off by means of partitions
- Front panels, max. 3 mm thick, can be fitted
- No pre-punchings; smooth external surfaces for customers' individual design of the cable inlets and connections
- Depending on which side is used for installation, cable glands are partially covered
- Wall assembly via the integrated 4-point wall fixing system, or with wall brackets (Accessories)
- Can be fitted on DIN rail (Accessories)
- 5 different lids can be fitted:
BCD 200 OT-G- ..., BCD 200 FO- ..., BCD 200 FO-K- ..., BCD 200 OT-F- ..., BCD 200 OT-FSC- ...
- In combination with the wall mounting fastening angle it can be used as wall and desktop enclosure, see page 312.

BCD 200 UT-7035



Z-2602381

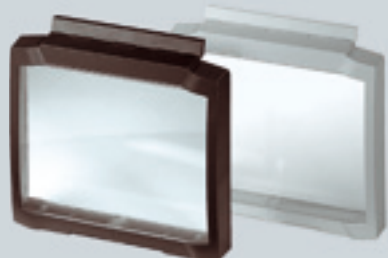
BCD 200 UT-0,5-7035



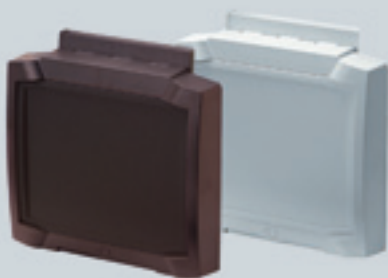
Z-2602382



BOCARD BCD 200



The BCD 200 OT-G- ... consists of a clear lid with a frame in light grey or graphite grey which contains the hinge and the snap-lock mechanism. The BCD 200 OT-G- ... can be opened to more than 180°, with an intermediate locking position of more than 90°. This prevents the open lid from closing in an uncontrolled manner. Ingress protection IP 65 is achieved with the appropriate base.



The BCD 200 OT-FSC- ... consists of a membrane lid to hold front membranes or membrane keypads and which contains the hinge and the snap-lock mechanism. The BCD 160 OT-FSC-... can be opened by more than 180°, with an intermediate stop at more than 90°. Ingress protection IP 65 is achieved with the appropriate base.

Glass-clear lid, hinged

Order designation

Model	Order no.	H	W	D	Description
BCD 200 OT-G-7035	20201035	204	229	36.0	Clear lid, hinged with snap-lock light grey, similar to RAL 7035
BCD 200 OT-G-7024	20201024	204	229	36.0	Clear lid, hinged with snap-lock graphite grey, similar to RAL 7024

Scope of delivery:

- 1 lid, hinged
- 1 catch
- 1 blind plug

Assembly note:

The OT-G hinge is latched onto the base.

To open: The catch is not necessary for manual opening. The blind plug can be inserted to improve the appearance (catch and blind plug are included in the scope of delivery). If the catch is used, after closing the enclosure can only be opened with a tool (slotted-head screwdriver). A cylinder lock (optional) can also be fitted to prevent unauthorised opening of the enclosure. The lock type SHLO 402 is shown in Accessories on page 319.

Membrane lid, hinged

Order designation

Model	Order no.	H	W	D	Description
BCD 200 OT-FSC-7035	20201535	204	229	36	Membrane lid, hinged with snap-lock, light grey, similar to RAL 7035
BCD 200 OT-FSC-7024	20201524	204	229	36	Membrane lid, hinged with snap-lock, graphite grey, similar to RAL 7024

Scope of delivery:

- 1 membrane lid
- 1 catch
- 1 blind plug

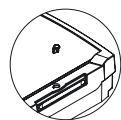
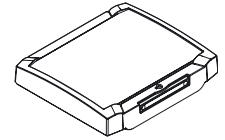
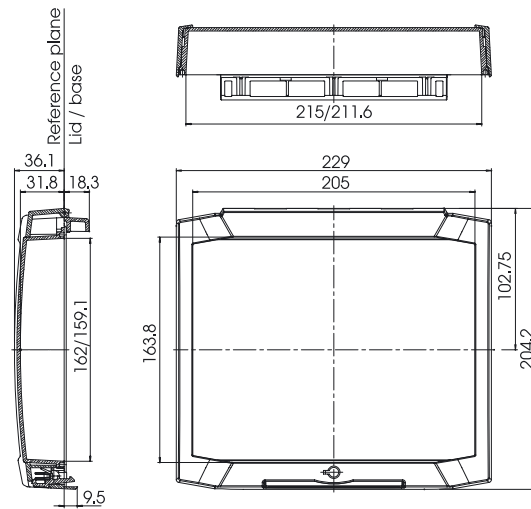
Assembly note:

The OT-FSC hinge is latched onto the base.

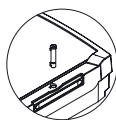
To open: The catch is not necessary for manual opening. The blind plug can be inserted to improve the appearance (catch and blind plug are included in the scope of delivery). If the catch is used, after closing the enclosure can only be opened with a tool (slotted-head screwdriver). A cylinder lock (optional) can also be fitted to prevent unauthorised opening of the enclosure.

The lock type SHLO 402 is shown in Accessories on page 319.

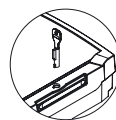
BCD 200 OT-G- ...



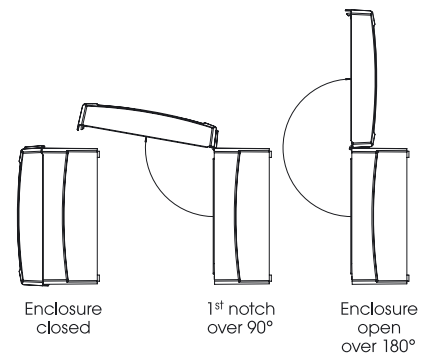
BCD blind plug
(included)



BCD catch
(included)

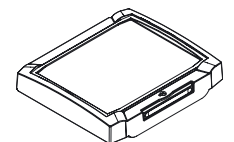
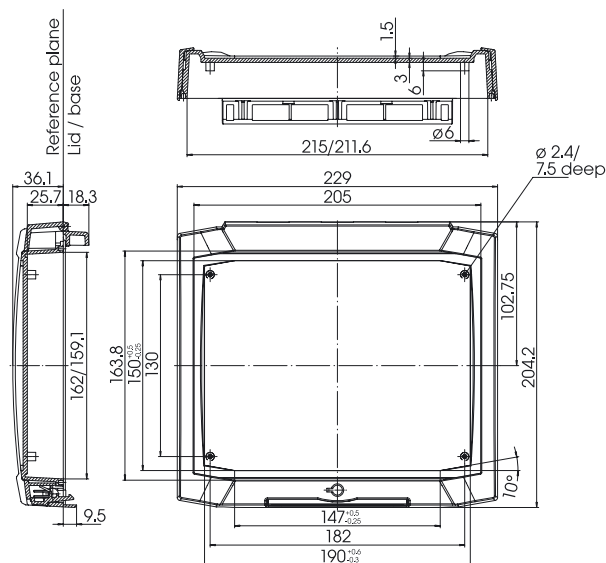


Lock SHLO 402
(accessory)

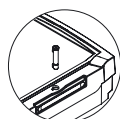


Z-2602383

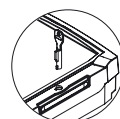
BCD 200 OT-FSC- ...



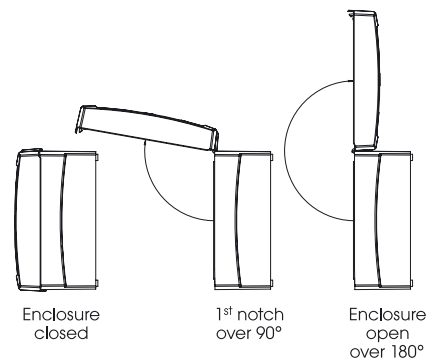
BCD blind plug
(included)



BCD catch
(included)



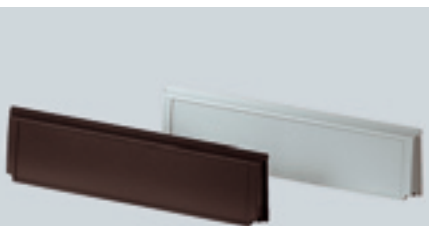
Lock SHLO 402
(accessory)



Z-2602635



BOCARD BCD 200



The terminal compartment cover is available in light grey or graphite grey and has an area recessed by 1.5 mm to hold front membranes or membrane keypads. The ingress protection of the enclosure is not affected by the terminal compartment lid, which is inside the seal section (integrated).



The BCD 200 FO- ... is used for edge covering of a continuous front panel on the base. Ingress protection IP 40 is achieved with the front panel and the appropriate base.



The BCD 200 FO-K- ... is used for edge covering of a front panel and a terminal compartment in the base. The terminal compartment section has an area recessed by 1.5 mm to hold front membranes or membrane keypads. Ingress protection IP 40 is achieved with the front panel and the appropriate base.

Terminal compartment lid

Order designation

Model	Order no.	H	W	D	Description
BCD 200 KRD-7035	20202035	54	218	20.0	Terminal compartment lid, light grey, similar to RAL 7035
BCD 200 KRD-7024	20202024	54	218	20.0	Terminal compartment lid, graphite grey, similar to RAL 7024

Scope of delivery:

1 terminal compartment lid,
2 screws

Note:

The terminal compartment lid closes the terminal compartment after the base has been divided by means of partitions and front panels. Assembly is by means of hooking in and screwing (screws are included in the scope of delivery). The terminal compartment can be arranged on the hinged side or the locking side, as required. It is also possible to set up 2 terminal compartments.

For partitions and front panels, see Accessories starting on page 314.

Front frame, open

Order designation

Model	Order no.	H	W	D	Description
BCD 200 FO-7035	20201135	203	229	19.0	Front frame open, light grey, similar to RAL 7035
BCD 200 FO-7024	20201124	203	229	19.0	Front frame open, graphite grey, similar to RAL 7024

Scope of delivery:

1 front frame

Assembly note:

The frame is pushed onto the base and pressed tight.

For front panels, see Accessories starting on page 314.

Front frame, open, with terminal compartment cover

Order designation

Model	Order no.	H	W	D	Description
BCD 200 FO-K-7035	20201235	203	229	19,0	Front frame open with terminal compartment cover, light grey, similar to RAL 7035
BCD 200 FO-K-7024	20201224	203	229	19,0	Front frame open with terminal compartment cover, graphite grey, similar to RAL 7024

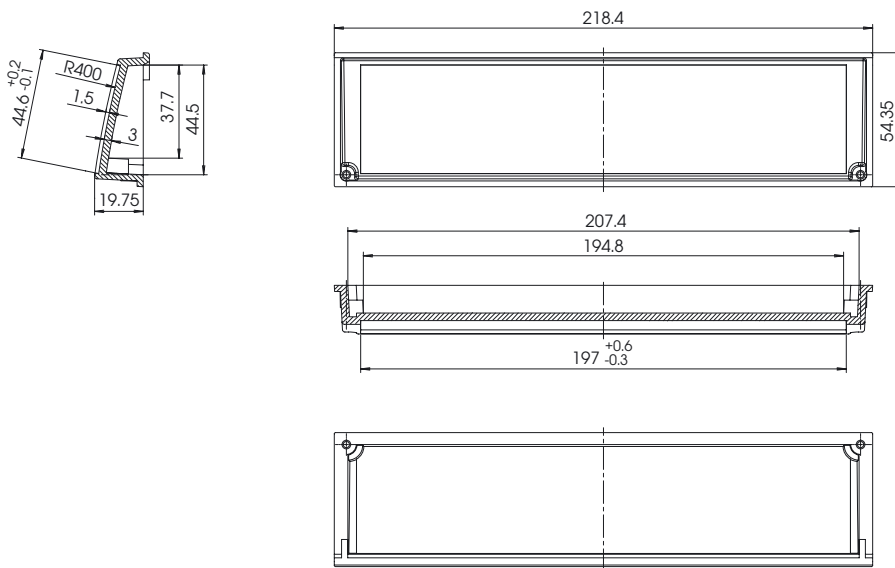
Scope of delivery:

1 front frame with terminal compartment cover,
screws, screw covers

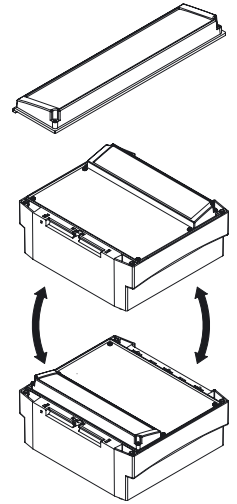
Assembly note:

The frame is pushed onto the base, pressed tight in 2 places, and screwed to the terminal compartment (screws included in the scope of delivery).

For partitions and front panels, see Accessories starting on page 314.

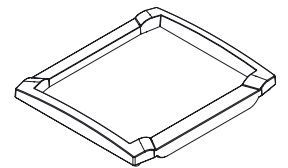
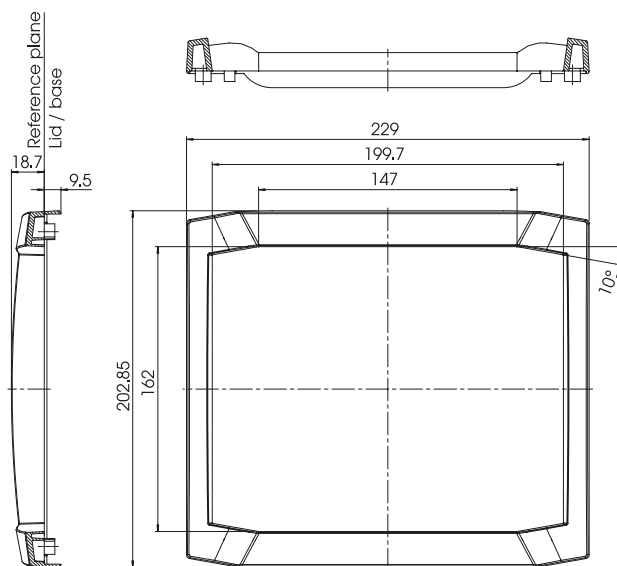


BCD 200 KRD- ...



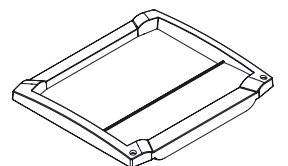
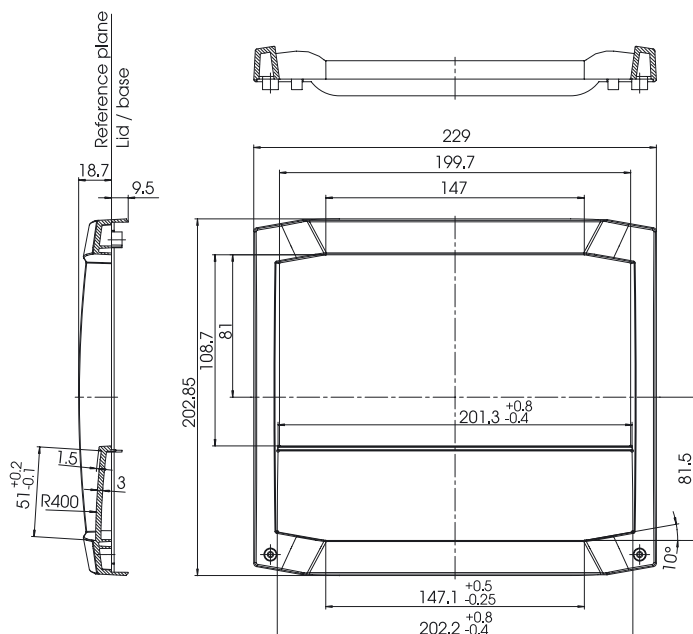
Z-2602384

BCD 200 FO- ...



Z-2602385

BCD 200 FO-K- ...



Z-2602386



BOCARD BCD 200



The BCD 200 OT-F- ... is a closed membrane lid. It has an area to hold front membranes or membrane keypads. With the appropriate base, ingress protection IP 65 can be achieved.



BCD 200 CF-7035

Membrane lid

Order designation

Model	Order no.	H	W	D	Description
BCD 200 OT-F-7035	20201335	203	229	19.0	Membrane lid, light grey, similar to RAL 7035
BCD 200 OT-F-7024	20201324	203	229	19.0	Membrane lid, graphite grey, similar to RAL 7024

Scope of delivery:

1 membrane lid,
screws, screw covers

Assembly note:

The membrane lid is screwed onto the base. On the underside of the membrane lid there are bosses for fitting PCBs.

Partitions can be used to divide a terminal compartment and close the electronics compartment.

For partitions, see Accessories starting on page 314.

Installation front

Order designation

Model	Order no.	H	W	D	Description
BCD 200 CF-7035	20201435	203	229	20.2	Installation front, light grey, similar to RAL 7035
BCD 200 CF-7024	20201424	203	229	20.2	Installation front, graphite grey, sim. to RAL 7024

Scope of delivery:

1 installation front,
screws, screw covers

Ingress protection: IP 40 to the control panel, upgradable with seal (see below)

Seal for installation front

Order designation

Model	Order no.	H	W	D	Description
BCD 200 CF-DI	20201400	187	223	3	Seal, black, similar to RAL 9005, self-adhesive on one side

Scope of delivery:

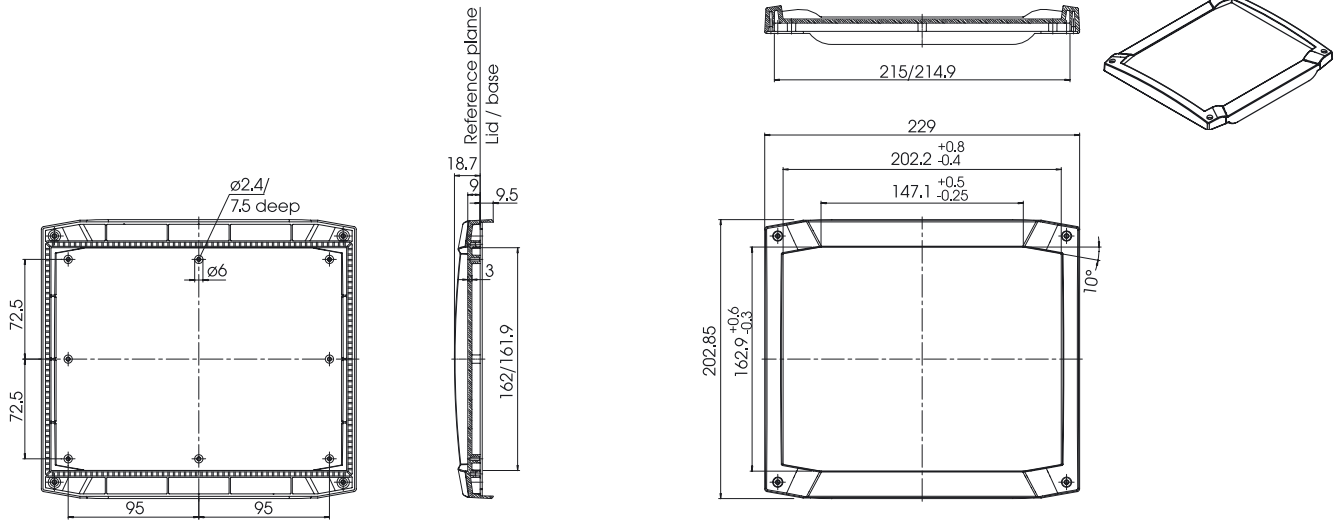
1 seal

Note:

Alternatively the seal can be applied to the control panel (positioned over the internal cut-out) or to the installation front.

Ingress protection acc. to DIN EN 60529 possible up to max. IP 65, depending on thickness and type of control panel.

BCD 200 OT-F- ...



Z-2602387

BCD 200 CF- ...

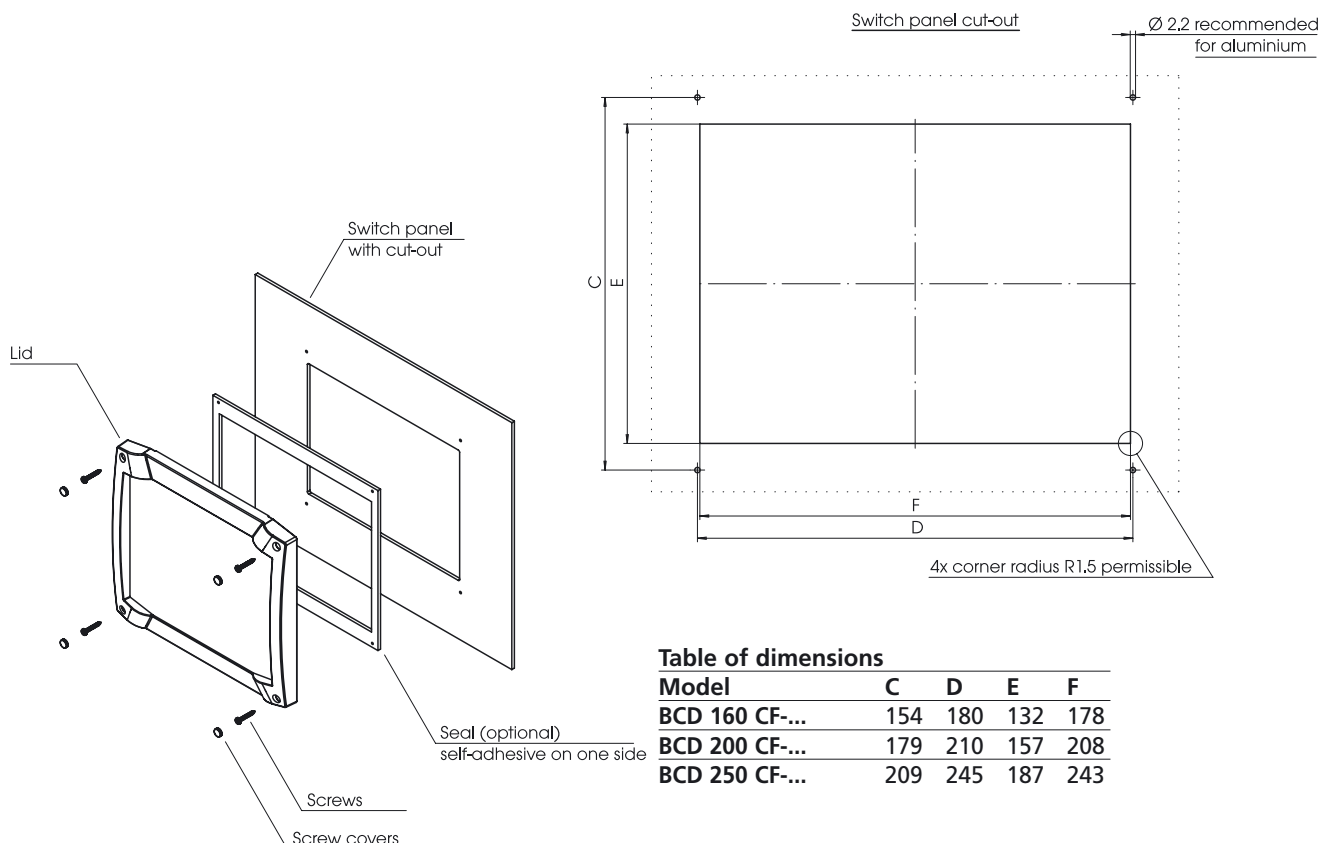


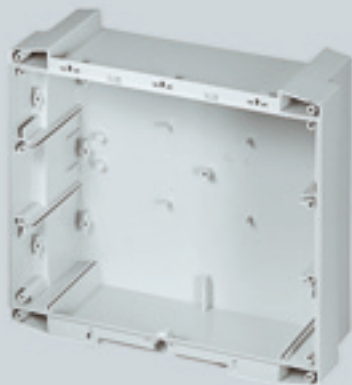
Table of dimensions

Model	C	D	E	F
BCD 160 CF-...	154	180	132	178
BCD 200 CF-...	179	210	157	208
BCD 250 CF-...	209	245	187	243

Z-2602443



BOCARD BCD 250



The high base, available in light grey, can be combined with different front elements (see pages 306-311). Additional accessories e.g. front panels, mounting panels or partitions are shown on pages 312-319. Depending on the lid which is used, the ingress protection which can be achieved is from IP 40 to IP 65.



The flat base, available in light grey, can be combined with different front elements (see pages 306-311). Additional accessories e.g. front panels, mounting panels or partitions are shown on pages 312-319. Depending on the lid which is used, the ingress protection which can be achieved is from IP 40 to IP 65.

Base, high

Order designation

Model	Order no.	H	W	D	Description
BCD 250 UT-7035	20250135	228	260	105.0	Base, high, light grey, similar to RAL 7035

Scope of delivery:

1 base, high

Note:

The high base has the following features:

- PCB slots
- Fixing domes for PCBs, mounting panels and DIN rails
- Variable terminal compartment(s) can be sealed off by means of partitions
- Front panels, max. 3 mm thick, can be fitted
- No pre-punchings; smooth external surfaces for customers' individual design of the cable inlets and connections
- Depending on which side is used for installation, cable glands are partially covered
- Wall assembly via the integrated 4-point wall fixing system, or with wall brackets (Accessories)
- Can be fitted on DIN rail (Accessories)
- 5 different lids can be fitted:
BCD 250 OT-G- ..., BCD 250 FO- ..., BCD 250 FO-K- ..., BCD 250 OT-F- ..., BCD 250 OT-FSC- ...
- In combination with the wall mounting fastening angle it can be used as wall enclosure, see page 312.

Base, flat

Order designation

Model	Order no.	H	W	D	Description
BCD 250 UT-0,5-7035	20250235	228	260	50.0	Base flat, light grey, similar to RAL 7035

Scope of delivery:

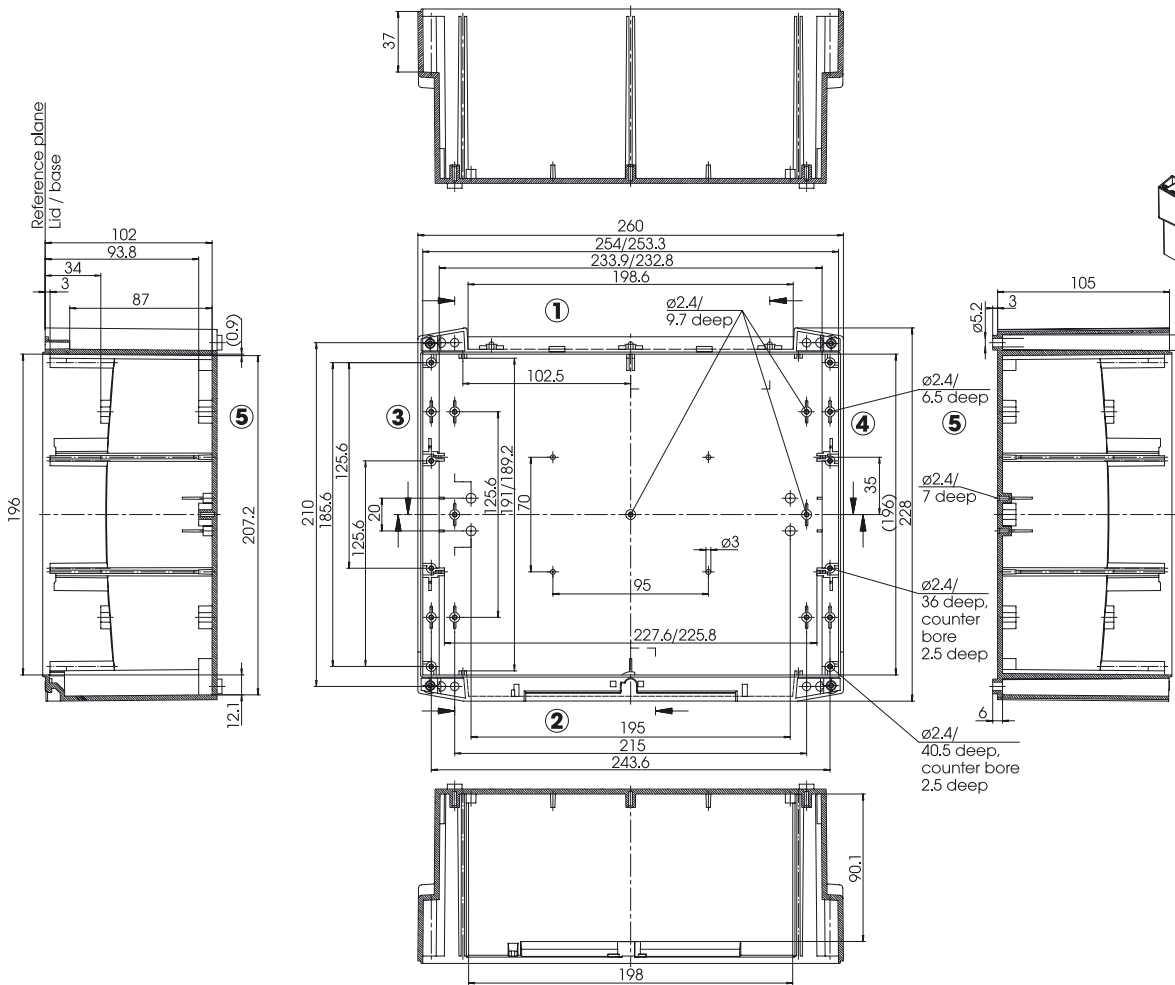
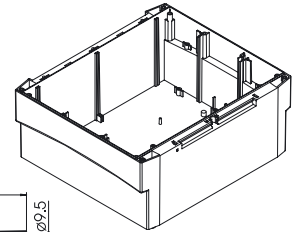
1 base, flat

Note:

The flat base has the following features:

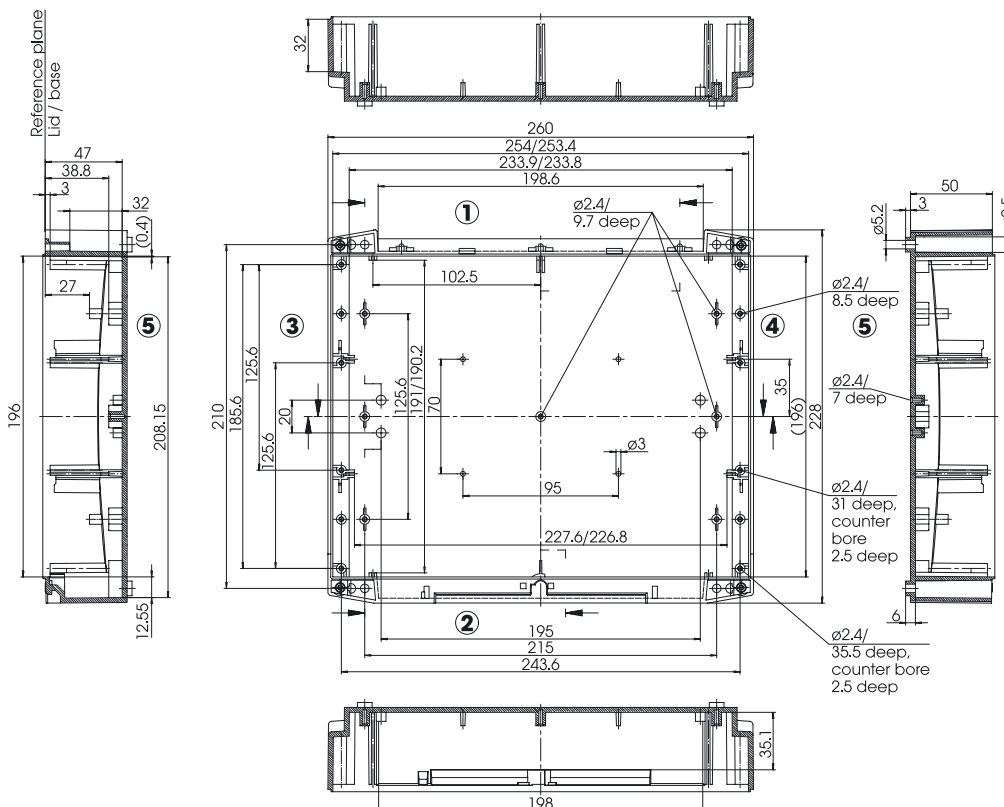
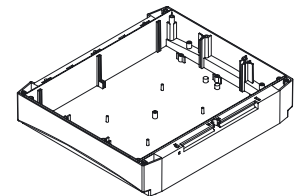
- PCB slots
- Fixing domes for PCBs, mounting panels and DIN rails
- Variable terminal compartment(s) can be sealed off by means of partitions
- Front panels, max. 3 mm thick, can be fitted
- No pre-punchings; smooth external surfaces for customers' individual design of the cable inlets and connections
- Depending on which side is used for installation, cable glands are partially covered
- Wall assembly via the integrated 4-point wall fixing system, or with wall brackets (Accessories)
- Can be fitted on DIN rail (Accessories)
- 5 different lids can be fitted:
BCD 250 OT-G- ..., BCD 250 FO- ..., BCD 250 FO-K- ..., BCD 250 OT-F- ..., BCD 250 OT-FSC- ...
- In combination with the wall mounting fastening angle it can be used as wall enclosure, see page 312.

BCD 250 UT-7035



Z-2602388

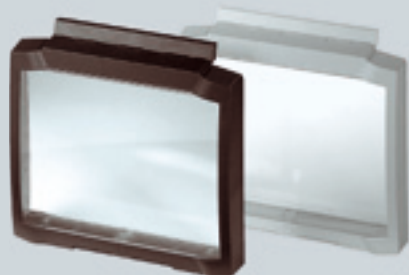
BCD 250 UT-0,5-7035



Z-2602389



BOCARD BCD 250



The BCD 250 OT-G- ... consists of a clear lid with a frame in light grey or graphite grey which contains the hinge and the snap-lock mechanism. The BCD 250 OT-G- ... can be opened to more than 180°, with an intermediate locking position of more than 90°. This prevents the open lid from closing in an uncontrolled manner. Ingress protection IP 65 is achieved with the appropriate base.



The BCD 250 OT-FSC- ... consists of a membrane lid to hold front membranes or membrane keypads and which contains the hinge and the snap-lock mechanism. The BCD 160 OT-FSC-... can be opened by more than 180°, with an intermediate stop at more than 90°. Ingress protection IP 65 is achieved with the appropriate base.

Glass-clear lid, hinged

Order designation

Model	Order no.	H	W	D	Description
BCD 250 OT-G-7035	20251035	234	264	36.0	Clear lid, hinged with snap-lock light grey, similar to RAL 7035
BCD 250 OT-G-7024	20251024	234	264	36.0	Clear lid, hinged with snap-lock graphite grey, similar to RAL 7024

Scope of delivery:

- 1 lid, hinged
- 1 catch
- 1 blind plug

Assembly note:

The OT-G hinge is latched onto the base.

To open: The catch is not necessary for manual opening. The blind plug can be inserted to improve the appearance (catch and blind plug are included in the scope of delivery). If the catch is used, after closing the enclosure can only be opened with a tool (slotted-head screwdriver). A cylinder lock (optional) can also be fitted to prevent unauthorised opening of the enclosure. The lock type SHLO 402 is shown in Accessories on page 319.

Membrane lid, hinged

Order designation

Model	Order no.	H	W	D	Description
BCD 250 OT-FSC-7035	20251535	234	264	36	Membrane lid, hinged with snap-lock, light grey, similar to RAL 7035
BCD 250 OT-FSC-7024	20251524	234	264	36	Membrane lid, hinged with snap-lock, graphite grey, similar to RAL 7024

Scope of delivery:

- 1 membrane lid
- 1 catch
- 1 blind plug

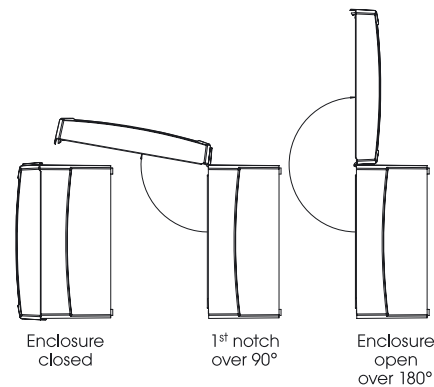
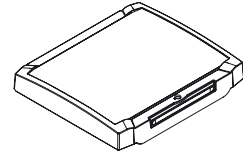
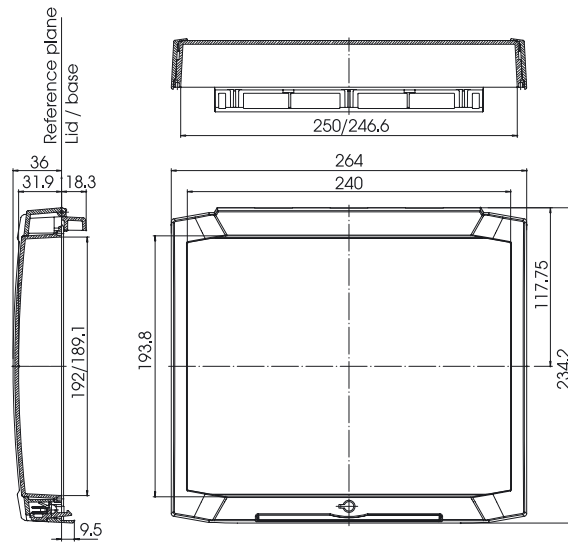
Assembly note:

The OT-FSC hinge is latched onto the base.

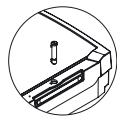
To open: The catch is not necessary for manual opening. The blind plug can be inserted to improve the appearance (catch and blind plug are included in the scope of delivery). If the catch is used, after closing the enclosure can only be opened with a tool (slotted-head screwdriver). A cylinder lock (optional) can also be fitted to prevent unauthorised opening of the enclosure.

The lock type SHLO 402 is shown in Accessories on page 319.

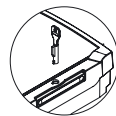
BCD 250 OT-G- ...



BCD blind plug (included)



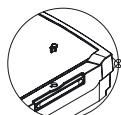
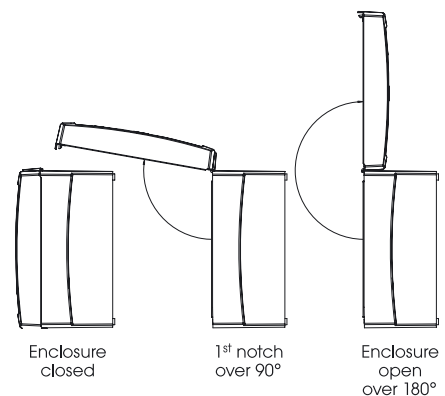
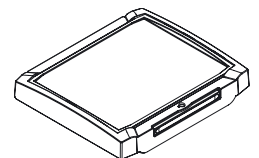
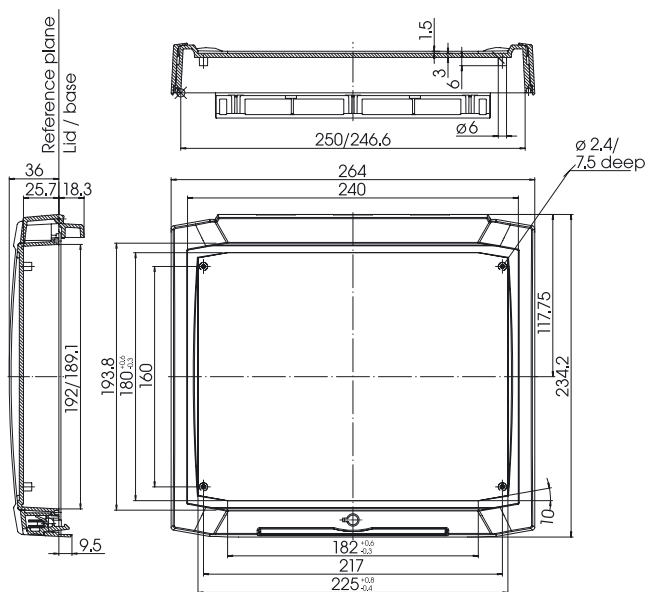
BCD catch (included)



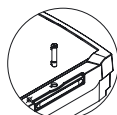
Lock SHLO 402 (accessory)

Z-2602390

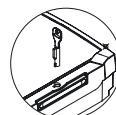
BCD 250 OT-FSC- ...



BCD blind plug (included)



BCD catch (included)



Lock SHLO 402 (accessory)

Z-2602636



BOCARD BCD 250



The terminal compartment cover is available in light grey or graphite grey and has an area recessed by 1.5 mm to hold front membranes or membrane keypads. The ingress protection of the enclosure is not affected by the terminal compartment lid, which is inside the seal section (integrated).



The BCD 250 FO- ... is used for edge covering of a continuous front panel on the base. Ingress protection IP 40 is achieved with the front panel and the appropriate base.



The BCD 250 FO-K- ... is used for edge covering of a front panel and a terminal compartment in the base. The terminal compartment section has an area recessed by 1.5 mm to hold front membranes or membrane keypads. Ingress protection IP 40 is achieved with the front panel and the appropriate base.

Terminal compartment lid

Order designation

Model	Order no.	H	W	D	Description
BCD 250 KRD-7035	20252035	61	253	20.0	Terminal compartment lid, light grey, similar to RAL 7035
BCD 250 KRD-7024	20252024	61	253	20.0	Terminal compartment lid, graphite grey, similar to RAL 7024

Scope of delivery:

1 terminal compartment lid,
2 screws

Note:

The terminal compartment lid closes the terminal compartment after the base has been divided by means of partitions and front panels. Assembly is by means of hooking in and screwing (screws are included in the scope of delivery). The terminal compartment can be arranged on the hinged side or the locking side, as required. It is also possible to set up 2 terminal compartments.

For partitions and front panels, see Accessories starting on page 314.

Front frame, open

Order designation

Model	Order no.	H	W	D	Description
BCD 250 FO-7035	20251135	233	264	19.0	Front frame open, light grey, similar to RAL 7035
BCD 250 FO-7024	20251124	233	264	19.0	Front frame open, graphite grey, similar to RAL 7024

Scope of delivery:

1 front frame

Assembly note:

The frame is pushed onto the base and pressed tight.

For front panels, see Accessories starting on page 314.

Front frame, open, with terminal compartment cover

Order designation

Model	Order no.	H	W	D	Description
BCD 250 FO-K-7035	20251235	233	264	19.0	Front frame open with terminal compartment cover, light grey, similar to RAL 7035
BCD 250 FO-K-7024	20251224	233	264	19.0	Front frame open with terminal compartment cover, graphite grey, similar to RAL 7024

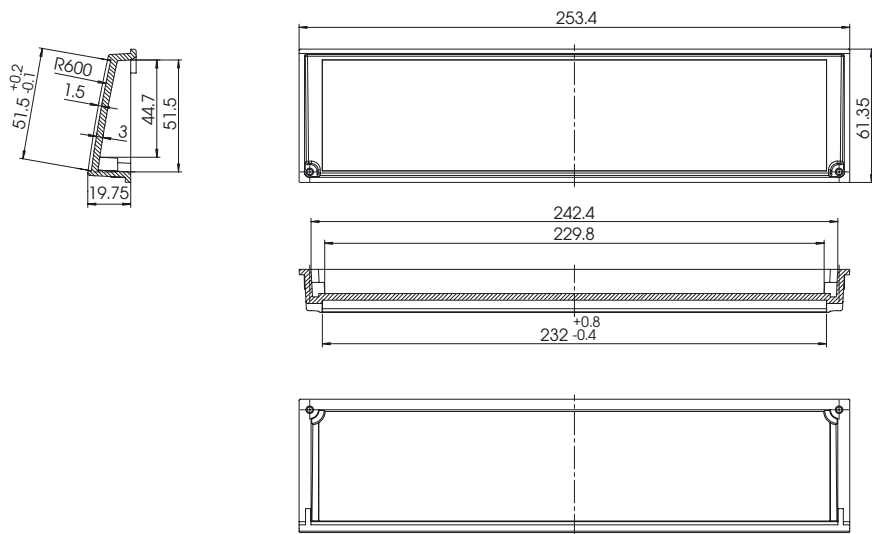
Scope of delivery:

1 front frame with terminal compartment cover,
screws, screw covers

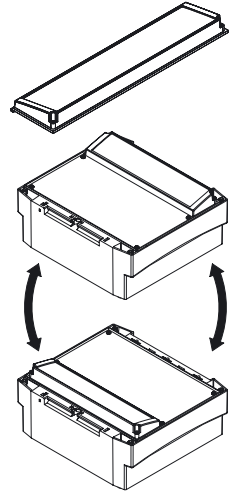
Assembly note:

The frame is pushed onto the base, pressed tight in 2 places, and screwed to the terminal compartment (screws included in the scope of delivery).

For partitions and front panels, see Accessories starting on page 314.

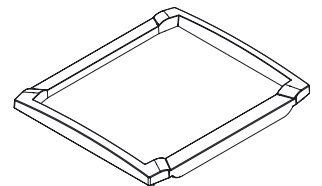


BCD 250 KRD- ...



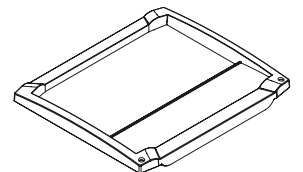
Z-2602391

BCD 250 FO- ...

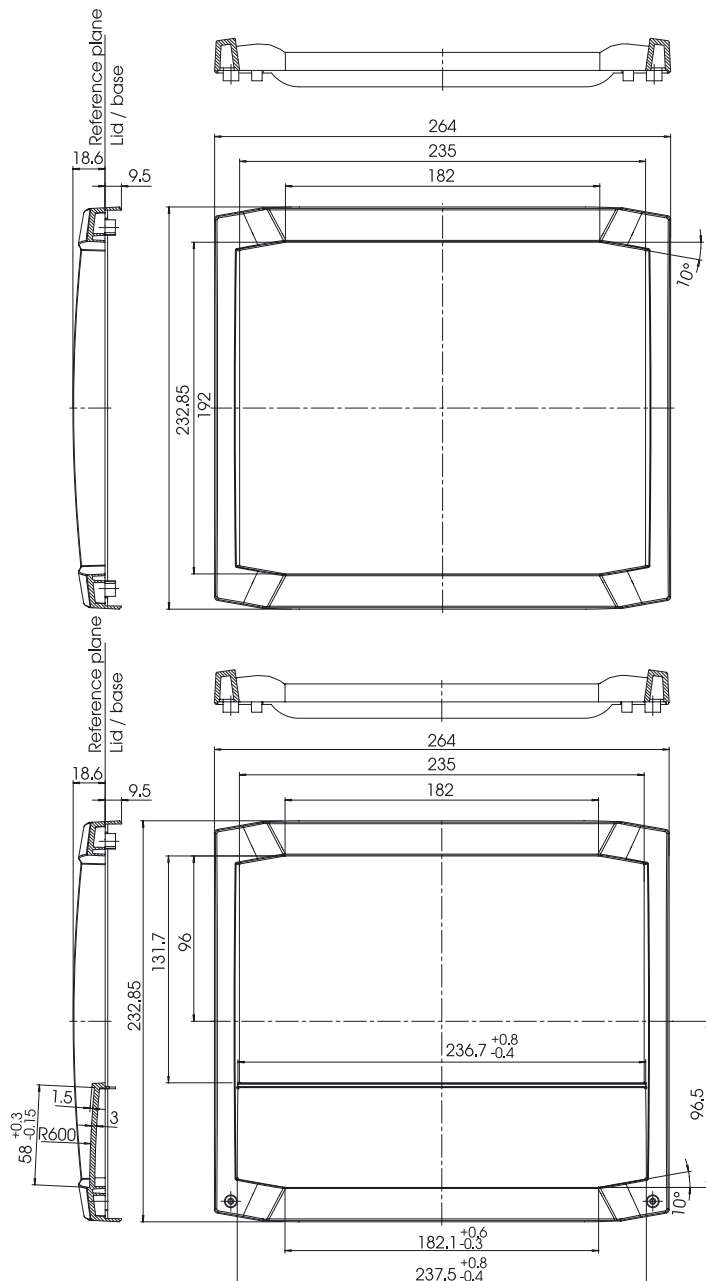


Z-2602392

BCD 250 FO-K- ...



Z-2602393





BOCARD BCD 250



The BCD 250 OT-F- ... is a closed membrane lid. It has an area to hold front membranes or membrane keypads. With the appropriate base, ingress protection IP 65 can be achieved.



BCD 250 CF-7035

Membrane lid

Order designation

Model	Order no.	H	W	D	Description
BCD 250 OT-F-7035	20251335	233	264	19.0	Membrane lid, light grey, similar to RAL 7035
BCD 250 OT-F-7024	20251324	233	264	19.0	Membrane lid, graphite grey, similar to RAL 7024

Scope of delivery:

1 membrane lid,
screws, screw covers

Assembly note:

The membrane lid is screwed onto the base. On the underside of the membrane lid there are bosses for fitting PCBs.

Partitions can be used to divide a terminal compartment and close the electronics compartment.

For partitions, see Accessories starting on page 314.

Installation front

Order designation

Model	Order no.	H	W	D	Description
BCD 250 CF-7035	20251435	233	264	20.1	Installation front, light grey, similar to RAL 7035
BCD 250 CF-7024	20251424	233	264	20.1	Installation front, graphite grey, sim. to RAL 7024

Scope of delivery:

1 installation front,
screws, screw covers

Ingress protection: IP 40 to the control panel, upgradable with seal (see below)

Seal for installation front

Order designation

Model	Order no.	H	W	D	Description
BCD 250 CF-DI	20251400	217	258	3	Seal, black, similar to RAL 9005, self-adhesive on one side

Scope of delivery:

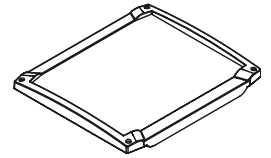
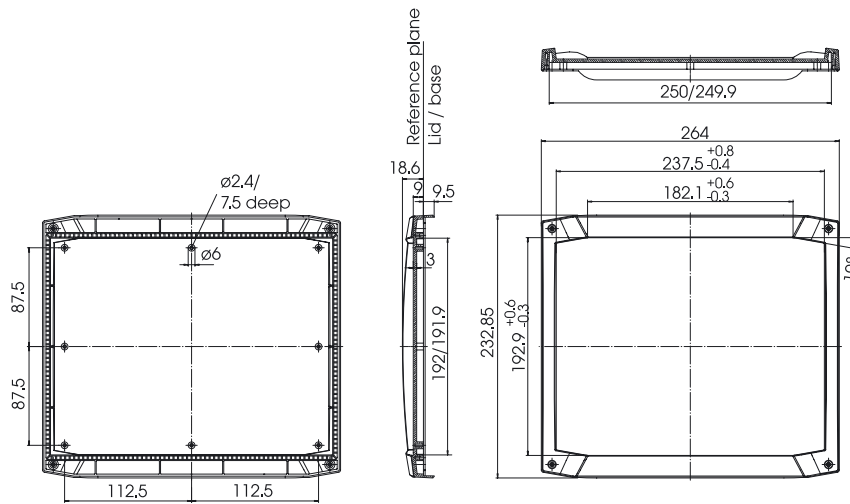
1 seal

Note:

Alternatively the seal can be applied to the control panel (positioned over the internal cut-out) or to the installation front.

Ingress protection acc. to DIN EN 60529 possible up to max. IP 65, depending on thickness and type of control panel.

BCD 250 OT-F- ...



Z-2602394

BCD 250 CF- ...

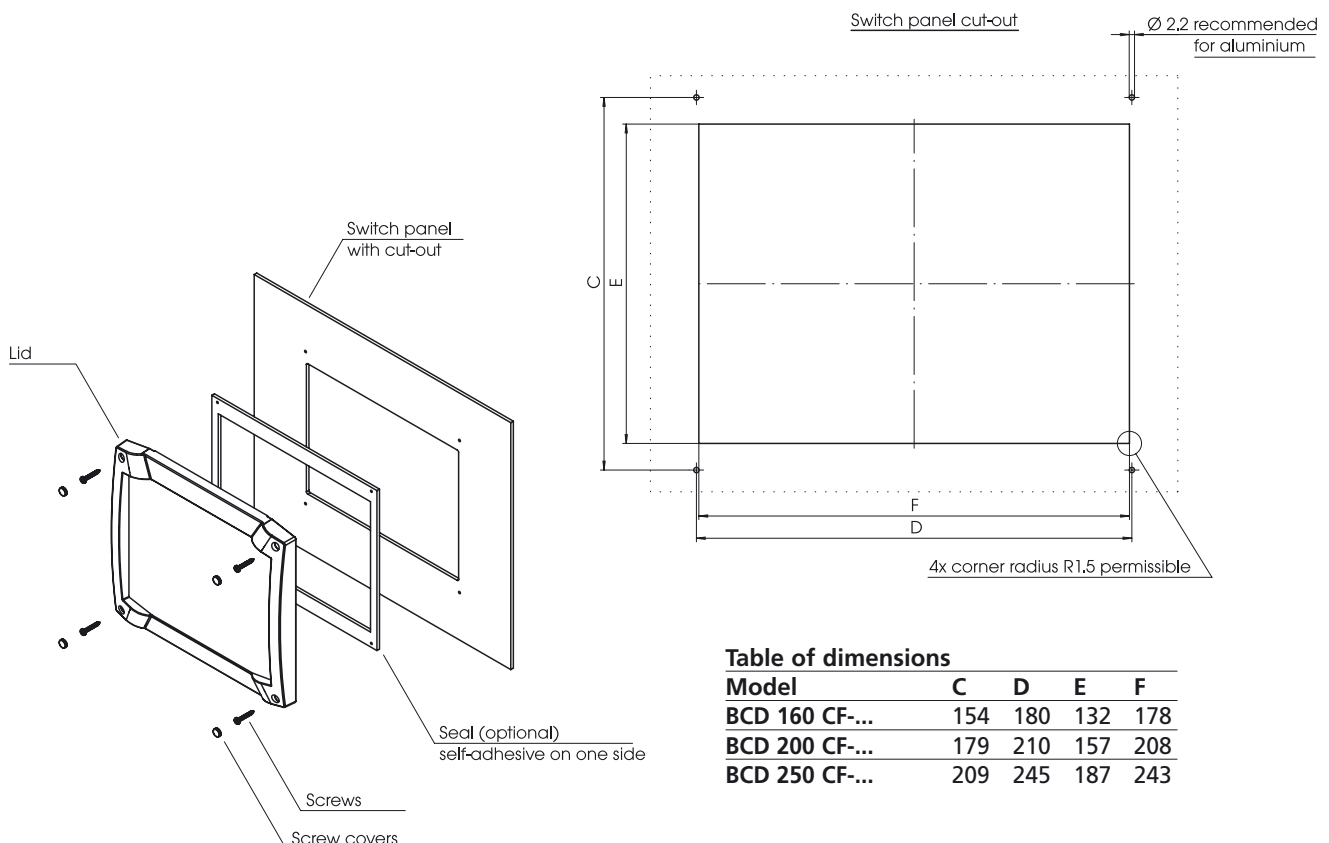


Table of dimensions

Model	C	D	E	F
BCD 160 CF-...	154	180	132	178
BCD 200 CF-...	179	210	157	208
BCD 250 CF-...	209	245	187	243

Z-2602443



BOCARD accessories



The wall mounting fastening angle is made of powder-coated sheet steel. It is screwed to the enclosure, which makes it easy to attach to the wall. As an alternative, with the help of the wall fastening angle the BOCARD can also be used as a desk-top enclosure.



The swivelling handle (fixed lock-in position every 15°) permits use as both a carrying and set-up bow for desktop application. Anti-slip elements are fitted to the side sections of the handle, ensuring non-slip properties and stability.

Wall mounting fastening angles

Order designation

Model	Order no.	Note
BCD 160 WB-7035	20008080	For BOCARD 160
BCD 200 WB-7035	20008081	For BOCARD 200
BCD 250 WB-7035	20008082	For BOCARD 250

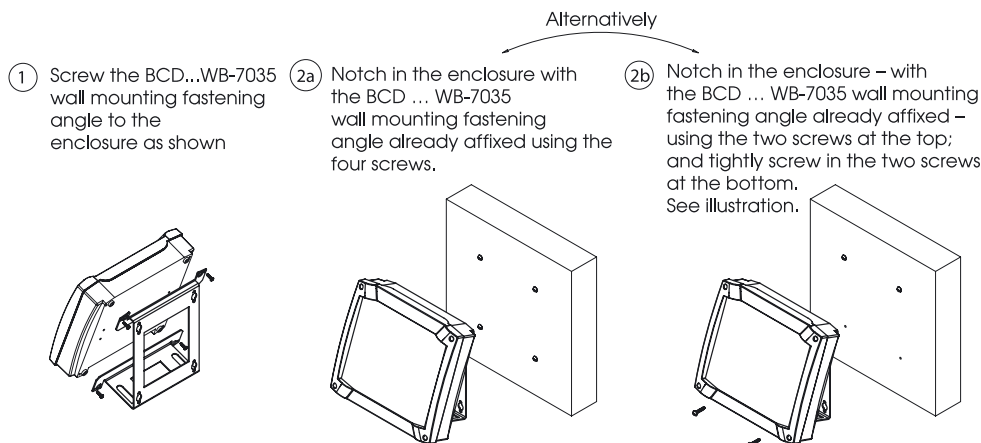
Scope of delivery:

1 wall mounting fastening angle, screws



Note:

The wall mounting fastening angle must be screwed on the back of the flat / high BOCARD bases using the screws supplied.



Handles

Order designation

Model	Order no.	Note
BCD 160 HS2-9005	20008070	For BOCARD 160
BCD 200 HS2-9005	20008071	For BOCARD 200
BCD 250 HS2-9005	20008072	For BOCARD 250

Colour:

Side sections, PA black, similar to RAL 9005, handle, anodised aluminium

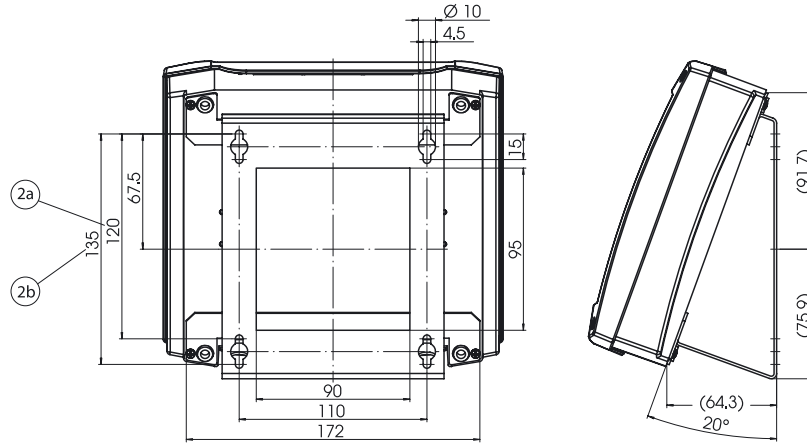
Scope of delivery:

2 side sections, 2 anti-slip elements, handle profile, fixing material

Note:

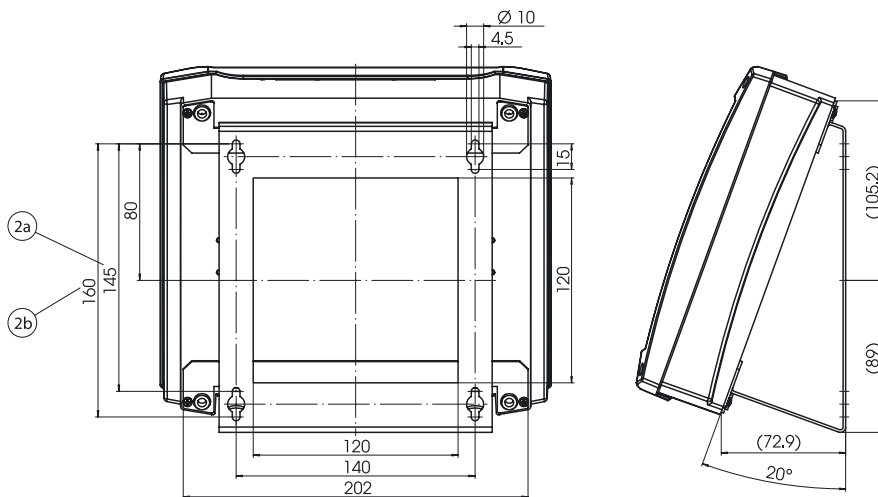
BOPLA can carry out the necessary processing of the base with individual adaptation of the position.

BCD 160 WB- 7035



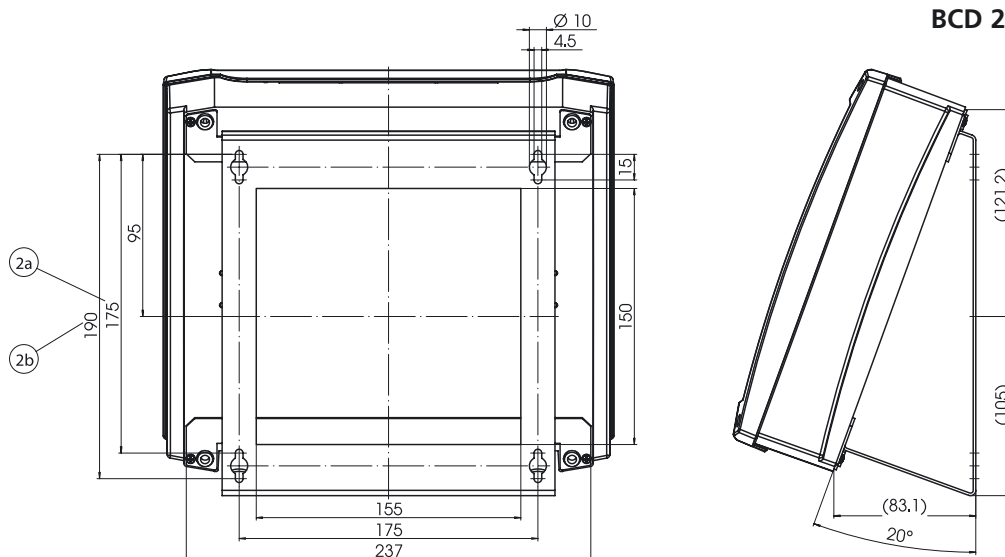
Z-2602439

BCD 200 WB- 7035



Z-2602440

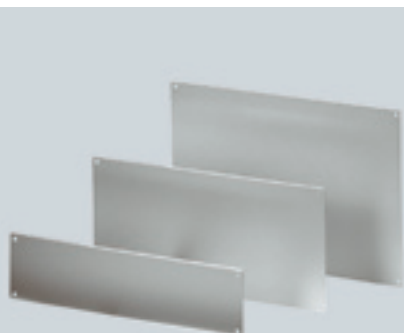
BCD 250 WB- 7035



Z-2602441



BOCARD accessories



The aluminium front panels are anodised, 1.5 mm thick.

Front panel, aluminium 1.5 mm

Order designation

Order designation		Table of dimensions			
Model	Order no.	A	B	C	D
BCD FP 160	20163000	188.6	140.6	178.6	130.6
BCD FP 160 K	20163100	188.6	97.6	178.6	87.6
BCD FP 160 BK	20163200	188.6	54.6	178.6	44.6
BCD FP 200	20203000	218.6	165.6	208.6	155.6
BCD FP 200 K	20203100	218.6	112.6	208.6	102.6
BCD FP 200 BK	20203200	218.6	59.6	208.6	49.6
BCD FP 250	20253000	253.6	195.6	243.6	185.6
BCD FP 250 K	20253100	253.6	135.6	243.6	125.6
BCD FP 250 BK	20253200	253.6	75.6	243.6	65.6

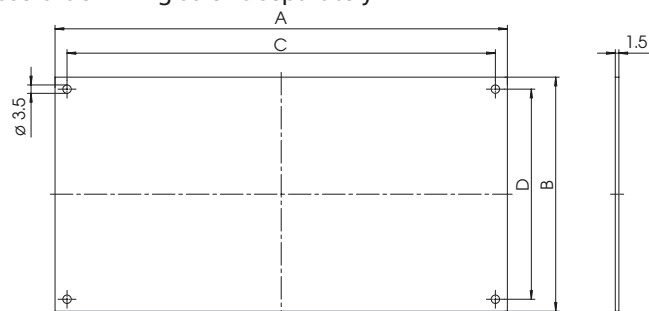
Scope of delivery:

1 aluminium front panel BCD FP ... K for enclosures with terminal compartment
BCD FP ... BK for enclosures with 2 terminal compartments

Note:

With BOCARD enclosures, front panels with a max. thickness of 3 mm can be fitted. Please order fixing screws separately.

Order no.: 59006233



Z-2602431



The plastic front panels are made of ABS RAL 7035, embossed on one side, 2 mm thick.

Front panel, plastic 2 mm

Order designation

Order designation		Table of dimensions			
Model	Order no.	A	B	C	D
BCD FPK 160	20164000	188.6	140.6	178.6	130.6
BCD FPK 160 K	20164100	188.6	97.6	178.6	87.6
BCD FPK 160 BK	20164200	188.6	54.6	178.6	44.6
BCD FPK 200	20204000	218.6	165.6	208.6	155.6
BCD FPK 200 K	20204100	218.6	112.6	208.6	102.6
BCD FPK 200 BK	20204200	218.6	59.6	208.6	49.6
BCD FPK 250	20254000	253.6	195.6	243.6	185.6
BCD FPK 250 K	20254100	253.6	135.6	243.6	125.6
BCD FPK 250 BK	20254200	253.6	75.6	243.6	65.6

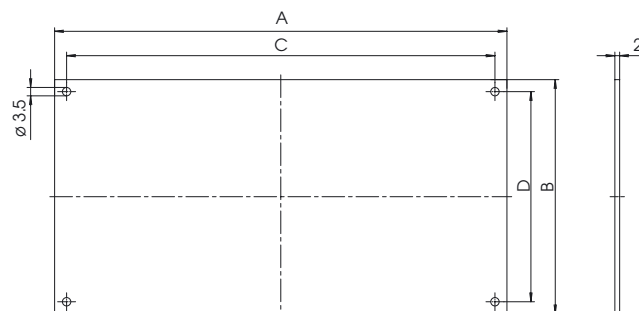
Scope of delivery:

1 plastic front panel BCD FP ... K for enclosures with terminal compartment
BCD FP ... BK for enclosures with 2 terminal compartments

Note:

With BOCARD enclosures, front panels with a max. thickness of 3 mm can be fitted. Please order fixing screws separately.

Order no.: 59006233



Z-2602432

Partition, hard paper

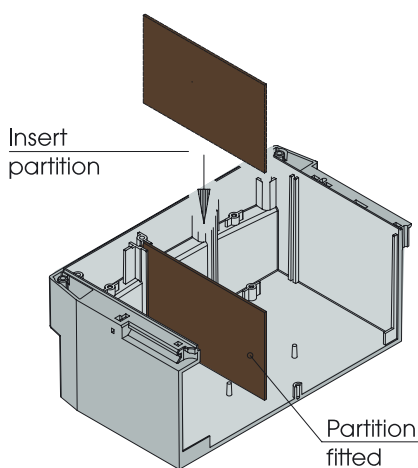
Order designation		Table of dimensions				
Model	Order no.	A	B	C	D	E
BCD TP 160	20165000	170.0	52.8	3	–	–
BCD TP 160-0,5	20165100	173.2	17.5	–	38.3	3.3
BCD TP 200	20205000	199.8	62.8	3	–	–
BCD TP 200-0,5	20205100	203.2	22.0	–	43.8	3.8
BCD TP 250	20255000	234.6	87.8	3	–	–
BCD TP 250-0,5	20255100	238.0	31.0	–	59.8	4.8

Scope of delivery:

1 partition

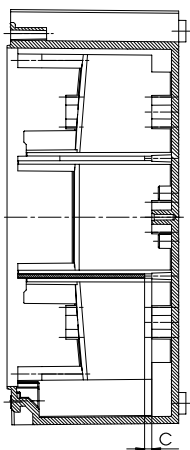
BCD TP ... for high bases

BCD TP ...-0,5 for flat and high bases

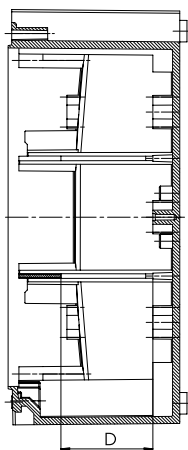


Possible combinations:

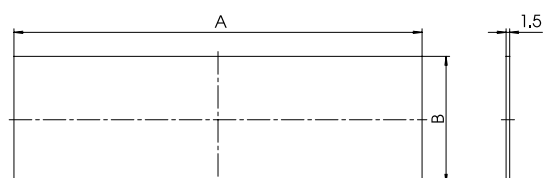
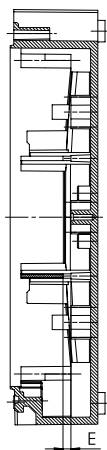
UT / TP



UT / TP-0,5



UT-0,5 / TP-0,5



Z-2602433

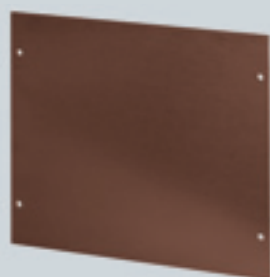


Hard paper panel for dividing a terminal compartment. The partition is inserted and fixed using BCD FP ... (B)K or BCD TP...F. Thickness 1.5 mm.

BOCARD accessories



Hard paper partition for sealing off the electronics compartment if a membrane lid is used in combination with a terminal compartment.



Material:
Hard paper, 2 mm thick.

Partition F

Order designation

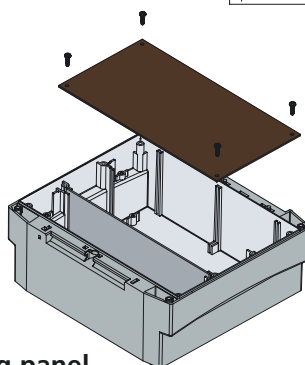
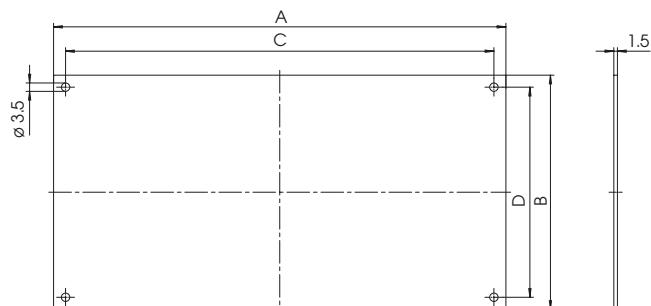
Order designation		Table of dimensions			
Model	Order no.	A	B	C	D
BCD TP 160 F	20165200	188.6	97.6	178.6	87.6
BCD TP 200 F	20205200	218.6	112.6	208.6	102.6
BCD TP 250 F	20255200	253.6	135.6	243.6	125.6

Scope of delivery:

1 partition

Note:

Please order fixing screws separately.
Order no.: 59006233



Z-2602434

Mounting panel

Order designation

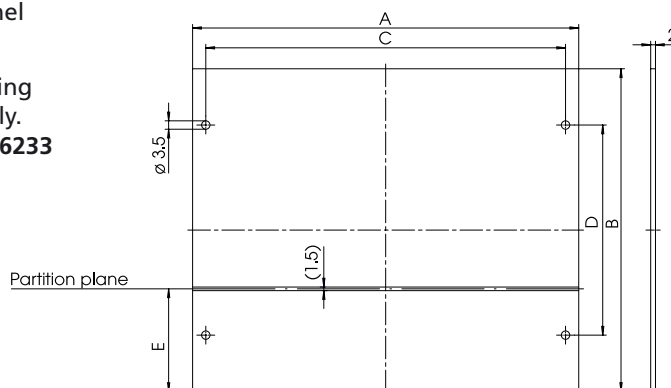
Order designation		Table of dimensions				
Model	Order no.	A	B	C	D	E
BCD M 160	20166000	161.0	134.5	150.0	87.6	42.75
BCD M 200	20206000	191.0	159.3	180.0	102.6	52.65
BCD M 250	20256000	225.5	189.0	215.0	125.6	59.5

Scope of delivery:

1 mounting panel

Note:

Please order fixing screws separately.
Order no.: 59006233



Z-2602435

Wall brackets

Order designation

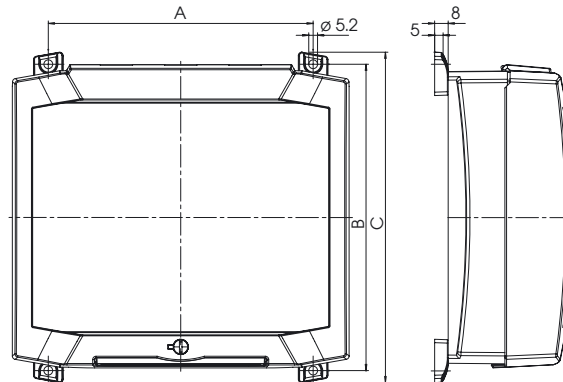
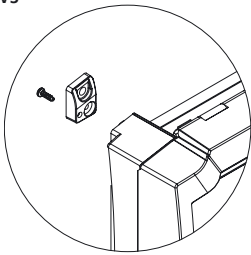
Model	Light grey Order no.
BCD WL-7035	20007000

Table of dimensions

Model	A	B	C
BCD 160	156.5	181.0	195.3
BCD 200	186.5	206.0	220.3
BCD 250	221.5	236.0	250.3

Scope of delivery:

4 wall brackets,
screws



Z-2602436

DIN rail holder TSH 35-2

Order designation

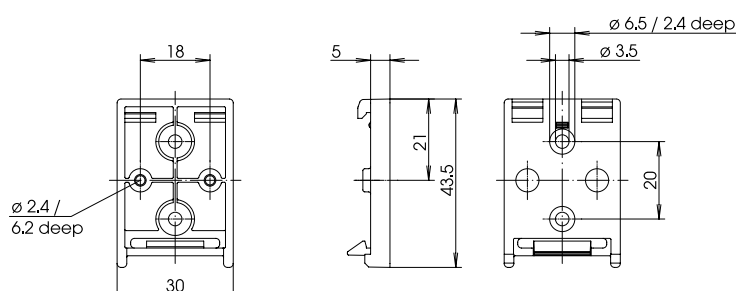
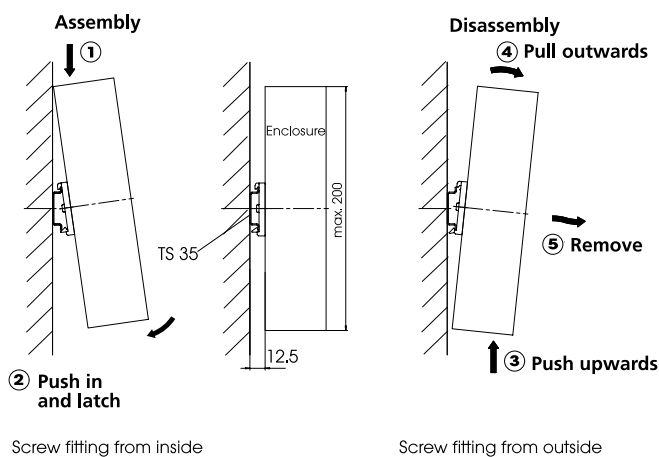
Model	Order no.
TSH 35-2	20035000

Scope of delivery:

2 DIN rail holders, screws

Note:

Fixing domes for fitting of the TSH 35-2 are already moulded onto the BOCARD bases. The ingress protection category for the BOCARD enclosure is not affected. Material: PA black.



Z-2602444



For 4-point wall fixing without opening the enclosure. Fitting to rear of enclosure from the outside. Suitable for all BOCARD enclosures.



For assembly of the BOCARD enclosure on a top hat rail DIN EN 60715 TH35.

BOCARD accessories



DIN rails TS15 / TS35 Top hat rail DIN EN 60715 TH15 / TH35

Order designation

Model	Order no.	Use with	Length	Item
TS 15.160.1	22151601	BCD 160 Terminal compartment down 160 mm	160 mm	2
TS 15.185.1	22151851	BCD 160 Terminal compartment up 185 mm	185 mm	4
TS 35.160.1	22351601	BCD 160 Centre down	160 mm	1
TS 15.190.1	22151901	BCD 200 Terminal compartment down 190 mm	190 mm	2
TS 15.215.1	22152151	BCD 200 Terminal compartment up 215 mm	215 mm	4
TS 35.190.1	22351901	BCD 200 Centre down / BCD 200 Terminal compartment down	190 mm	1/2
TS 35.198.1	22351981	BCD 200 Centre on distance bolt	198 mm	3*
TS 15.225.1	22152251	BCD 250 Terminal compartment down 225 mm	225 mm	2
TS 15.250.1	22152501	BCD 250 Terminal compartment up 250 mm	250 mm	4
TS 35.225.1	22352251	BCD 250 Centre down / BCD 250 Terminal compartment down	225 mm	1/2
TS 35.233.1	22352331	BCD 250 Centre on distance bolt	233 mm	3*

Scope of delivery:

DIN rail

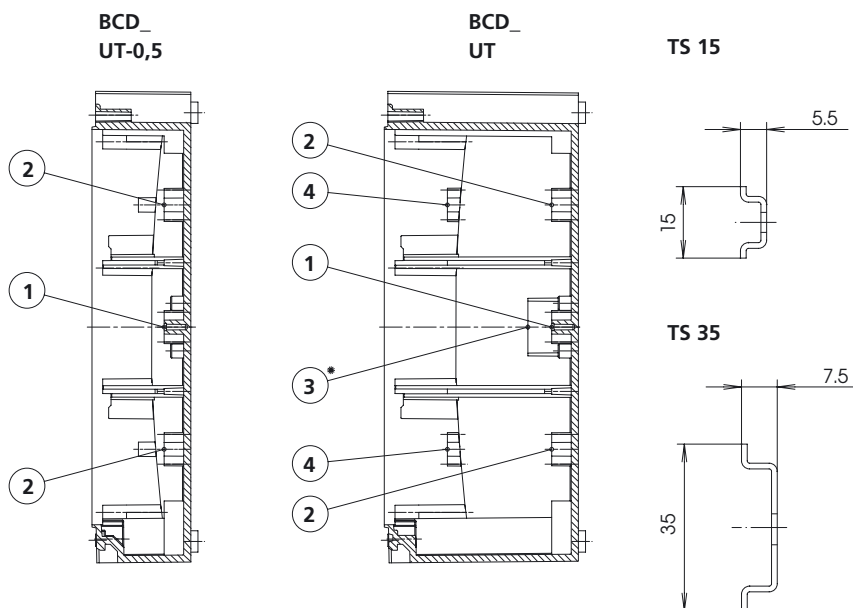
Accessory:

Distance bolt (for item 3*) see page 319.

Note:

Please order fixing screws separately.

Order no.: **59006233**



Distance bolts

Order designation

Model	Order no.	Boss internal Ø	L	L1	L2
DIBLZ AK 30 x 5/IM3/10	59006986	2.4 - 2.6	10	5	7

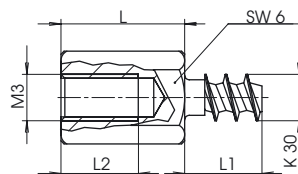
Scope of delivery:

1 distance bolt

Note:

The distance bolt can also be used to fix PCBs or mounting panels.

This also makes it possible to fit (clearance 10 mm; M3) a parallel PCB or mounting panel.



Z-2001158

Lock

Order designation

Model	Order no.
SHLO 402	21008320

Scope of delivery:

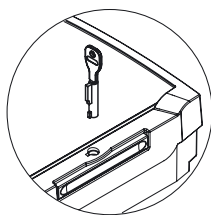
1 lock

2 keys

Note:

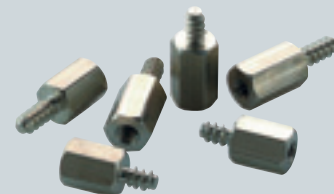
The lock can be inserted into the opening in the BCD ... OT-G at a later date.

If a blind plug or catch has been fitted, it can be pushed out from the rear. The key can only be removed from the locked position.



Lock SHLO 402

Z-2602376



DIBLZ AK 30 x 5/IM3/10
Distance bolts



Lock SHLO 402