



This highly adaptable ABS hand-held enclosure system is available in grey or black, depending on the design. Each enclosure type provides different equipment features and accessories, so making it easy to find the ideal

enclosure for use with a wide range of mobile data collection and processing applications.

Enclosure material: ABS; display screen: clear PC.
For technical data see pages 646-651.

Colour: Depending on model; black, similar to RAL 9005 and/or agate grey, similar to RAL 7038. Special colours on request.

Accessories (additional charge):

ASC1: set-up clip see page 640.

UDS: universal docking station see page 606 ff.

Note:

- Table stand STD 900 is available as an accessory for series BOS 900 and BOS 910.
- The BOS 700 series will be available until the end of 2007.

| Enclosures | | Black | Agate grey | Size in mm | | | Display | Battery com- | Ingress prot. | |
|--------------|---------|-------------|------------|------------|-----|-----|---------|--------------|---------------|--------------|
| Model series | Page(s) | Model | Order no. | Order no. | L | W | H | opening | partment for | DIN EN 60529 |
| BOS 400 | 498 | BOS 400* | 34400000 | - | 100 | 65 | 24 | - | 9V block | IP 40 |
| | 498 | BOS 400 ASC | 34400500 | - | 100 | 65 | 24 | - | 9V block | |
| | 498 | BOS 401* | 34401000 | - | 100 | 65 | 24 | - | - | |
| | 498 | BOS 401 ASC | 34401500 | - | 100 | 65 | 24 | - | - | |
| BOS 500 | 500 | BOS 500* | 34500000 | 34500003 | 120 | 60 | 25 | X | 9V block | |
| | 500 | BOS 501* | 34501000 | 34501002 | 120 | 60 | 25 | X | 9V block | |
| | 500 | BOS 502* | 34502000 | 34502002 | 120 | 60 | 25 | - | 9V block | |
| | 500 | BOS 503* | 34503000 | 34503001 | 120 | 60 | 25 | - | 9V block | |
| BOS 600 | 502 | BOS 600 | 34600000 | - | 172 | 77 | 25 | X | 9V block | IP 40 |
| | 502 | BOS 601 | 34601000 | - | 172 | 77 | 25 | - | 9V block | |
| | 502 | BOS 602 | 34602000 | - | 172 | 77 | 25 | - | 3 mignons | |
| BOS 700 | 504 | BOS 700* | 34700000 | - | 150 | 80 | 30 | X | 9V block | IP 40 |
| | 504 | BOS 701* | 34701000 | - | 150 | 80 | 30 | X | 9V block | |
| | 504 | BOS 704** | 34704000 | - | 150 | 80 | 30 | X | 9V block | |
| | 504 | BOS 705* | 34705000 | - | 150 | 80 | 30 | X | 9V block | |
| BOS 750 | 506 | BOS 750* | 34750000 | 34750001 | 157 | 84 | 30 | X | 9V block | IP 40 |
| | 506 | BOS 751* | 34751000 | 34751001 | 157 | 84 | 30 | X | 9V block | |
| | 506 | BOS 752* | 34752000 | 34752001 | 157 | 84 | 30 | - | 9V block | |
| | 506 | BOS 753* | 34753000 | - | 157 | 84 | 30 | X | - | |
| | 506 | BOS 754* | 34754000 | 34754001 | 157 | 84 | 30 | X | - | |
| | 506 | BOS 755* | 34755000 | 34755001 | 157 | 84 | 30 | - | - | |
| | 508 | BOS 756* | 34756000 | - | 157 | 84 | 30 | X | 9V block | |
| | 508 | BOS 757* | 34757000 | - | 157 | 84 | 30 | X | 9V block | |
| | 508 | BOS 758* | 34758000 | - | 157 | 84 | 30 | - | - | |
| | 508 | BOS 759* | 34759000 | - | 157 | 84 | 30 | X | - | |
| | 508 | BOS 760* | 34760000 | - | 157 | 84 | 30 | X | - | |
| | 508 | BOS 761* | 34761000 | - | 157 | 84 | 30 | - | - | |
| BOS 800 | 510 | BOS 800* | 34800000 | 34800001 | 196 | 100 | 40 | X | 4 mignons | IP 40 |
| | 510 | BOS 801* | 34801000 | 34801001** | 196 | 100 | 40 | - | 4 mignons | |
| | 510 | BOS 802* | 34802000 | 34802001** | 196 | 100 | 40 | - | 4 mignons | |
| | 510 | BOS 803* | 34803000 | 34803001** | 196 | 100 | 40 | X | - | |
| | 510 | BOS 804* | 34804000 | 34804001 | 196 | 100 | 40 | X | - | |
| | 510 | BOS 805* | 34805000 | 34805001** | 196 | 100 | 40 | - | - | |
| | 510 | BOS 807* | 34807000 | 34807001 | 196 | 100 | 40 | - | 4 mignons | |
| | 510 | BOS 808* | 34808000 | 34808001 | 196 | 100 | 40 | - | - | |
| BOS 900 | 512 | BOS 900* | 34900009 | 34900000 | 211 | 100 | 26** | X | - | IP 65 |
| | 512 | BOS 901** | 34901009 | 34901000 | 211 | 100 | 26** | X | - | |
| | 514 | BOS 902 | 34902009 | 34902000 | 211 | 100 | 26** | X | 4 mignons | |
| | 514 | BOS 903** | 34903009 | 34903000 | 224 | 100 | 26** | X | 2 x 9V block | |
| BOS 910 | 518 | BOS 910* | 34910009 | 34910002 | 224 | 106 | 40 | X | - | IP 65 |
| | 518 | BOS 911 | 34911009 | 34911000 | 224 | 106 | 40 | X | - | |
| | 520 | BOS 912 | 34912009 | 34912000 | 224 | 106 | 40 | X | 4 mignons | |
| | 520 | BOS 913** | 34913009 | 34913000 | 224 | 106 | 40 | X | 2 x 9V block | |

* Can be combined with universal docking station UDS, see page 606 ff.

** Accessory ZR 900 can be used to increase the height to 36 mm.

• Available on request.

BOS 400



UDS
only
BOS 400

BOS 400/400 ASC



UDS
only
BOS 401

BOS 401/401 ASC

BOS 400/400 ASC

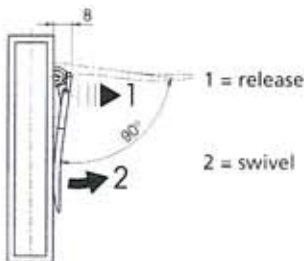
Order designation

| Model | Order no. (black) | Type | Battery comp. |
|-------------|-------------------|------------------------------|---------------------|
| BOS 400 | 34400000 | | 9V block / 2 micro* |
| BOS 400 ASC | 34400500 | Incl. integrated set-up clip | 9V block / 2 micro* |

External dim.: L 100 x W 65 x H 24 mm
Key area: L 83.1 x W 50.1 x D 1 mm
Ingress protection: IP 40

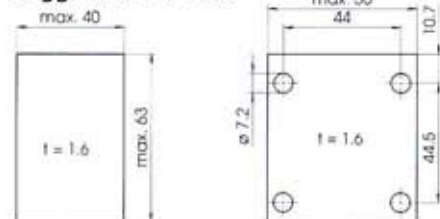
Using the integrated set-up clip:

1. As a clip for attaching units in shirt or jacket pockets.
2. As a set-up bow; release the hinged section at the bearing (1) and swivel by 90° (2).
3. For use as a wall hanging unit when in closed state.



2-2800893

Suggestion for PCB:



2-2800897-P

Special features: The battery compartment side is not fixed and can be removed if the battery compartment is not used. This means that boards can be inserted underneath the battery compartment lid. The PCBs (2 types) can be fixed directly to the screw connection of the enclosure.

Scope of delivery: Lid, base, battery compartment lid, battery compartment side, enclosure screws; for ASC, plus integrated clip bearing and bow.

Note: The enclosures can be supplied with plug-in front panels (min. order 500 pcs).

* As an option, 2 micro batteries can be inserted in the enclosure by using battery holder BM 2 MC (order no.: 34165572).

BOS 401/401 ASC

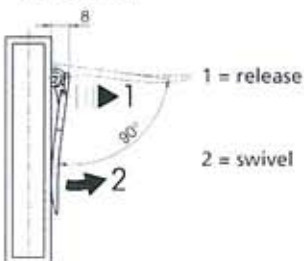
Order designation

| Model | Order no. (black) | Type |
|-------------|-------------------|----------------------------------|
| BOS 401 | 34401000 | |
| BOS 401 ASC | 34401500 | Including integrated set-up clip |

External dim.: L 100 x W 65 x H 24 mm
Key area: L 83.1 x W 50.1 x D 1 mm
Ingress protection: IP 40

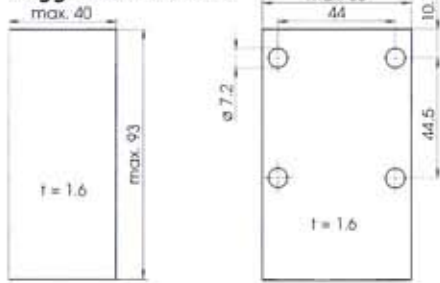
Using the integrated set-up clip:

1. As a clip for attaching units in shirt or jacket pockets.
2. As a set-up bow; release the hinged section at the bearing (1) and swivel by 90° (2).
3. For use as a wall hanging unit when in closed state.



2-2800893

Suggestion for PCB:



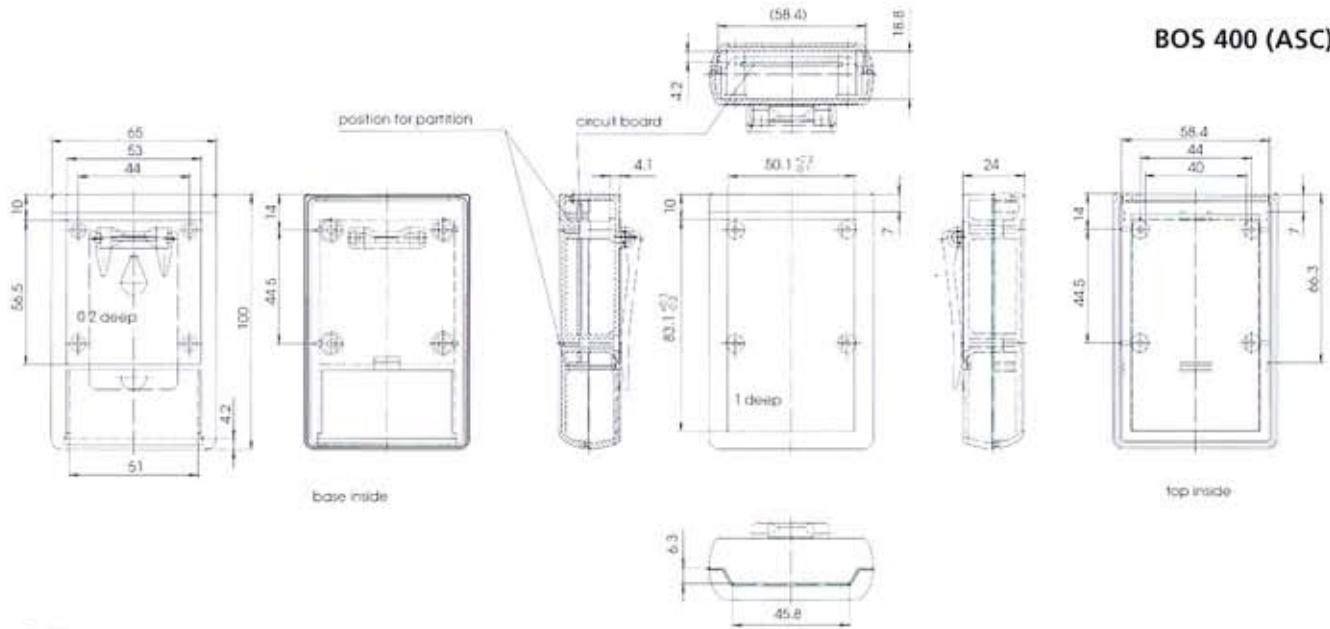
2-2800896-P

Special features: The PCBs (2 types) can be fixed directly to the screw connection of the enclosure.

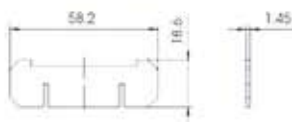
Scope of delivery: Lid, base, enclosure screws; for ASC, plus integrated clip bearing and bow.

Note: The enclosures can be supplied with plug-in front panels (min. order 500 pcs).

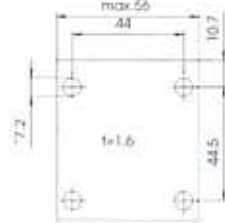
BOS 400 (ASC)



Partition
(for the design with the battery
compartment partition insertable)



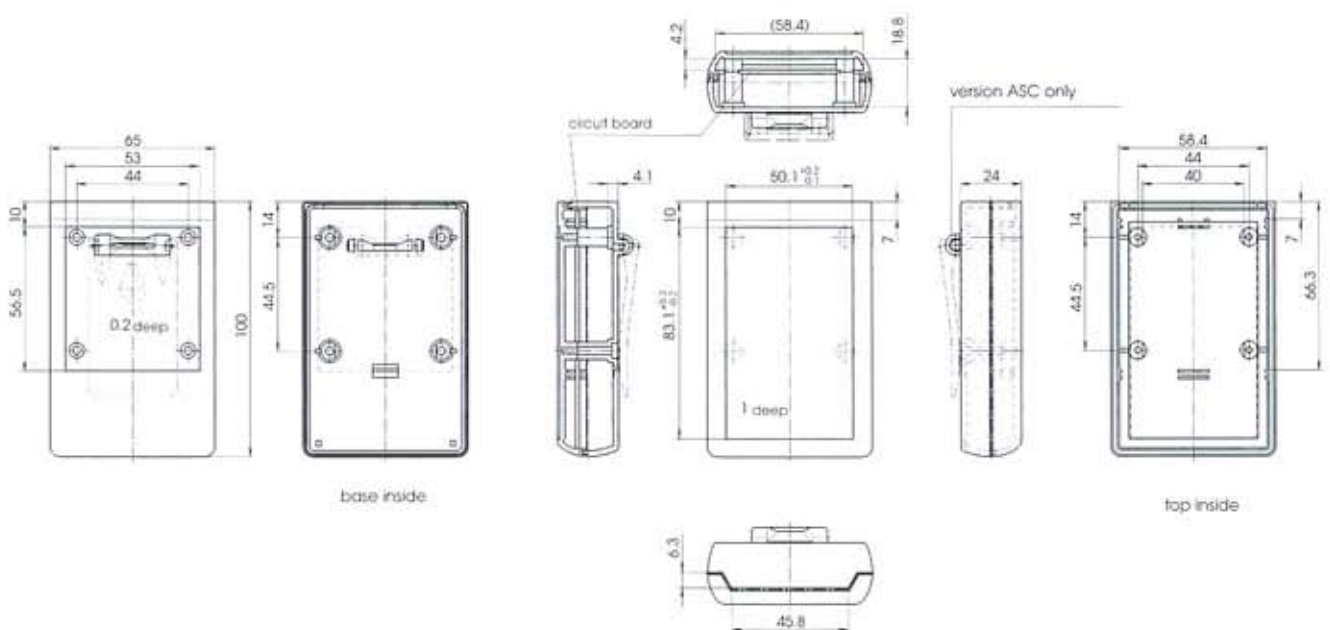
position for partition



PCBs also shown on
individual drawing acc.
to drawing no.: 3K 5120.075.0.

Z-2800987

BOS 401 (ASC)



version ASC only

Z-2800987

BOS 500



BOS 501/500



BOS 502/503

BOS 500/501

Order designation

| | Black | Agate grey | | |
|---------|-----------|------------|--------------------------|------------|
| Model | Order no. | Order no. | Type | Bat. comp. |
| BOS 500 | 34500000 | 34500003 | Panoramic display screen | 9V block |
| BOS 501 | 34501000 | 34501002 | Display screen | 9V block |

External dim.: L 120 x W 60 x H 22 mm
 Key area: L 53 x W 47.6 x D 0.75 mm
 Ingress protection: IP 40

Special features: Enclosure fixing with just one screw

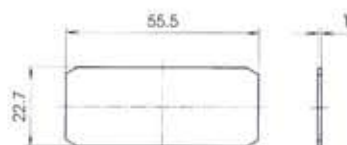
Scope of delivery:

Lid, base, plastic front panel, battery compartment lid, enclosure screw, display screen or panoramic display screen

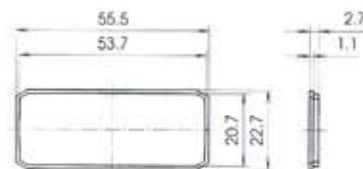
Accessories (additional charge)

| Order no. | Description |
|-----------|---------------------------------|
| 34955006 | Front panel infrared-permissive |
| 34055000 | Aluminium front panel |

Alum. front panel (non-standard)



Plastic front panel (scope of delivery)



Z 2800284 F

BOS 502/503

Order designation

| | Black | Agate grey | | |
|---------|-----------|------------|---------------------------|------------|
| Model | Order no. | Order no. | Type | Bat. comp. |
| BOS 502 | 34502000 | 34502002 | Without display opening | 9V block |
| BOS 503 | 34503000 | 34503001 | With membrane keypad area | 9V block |

External dim.: L 120 x W 60 x H 25 mm
 Key area:
 BOS 502 = L 53 x W 47.6 x D 0.25 mm,
 BOS 503 = L 82.1 x W 47.6 x D 1 mm
 Ingress protection: IP 40

Special features: Enclosure fixing with just one screw

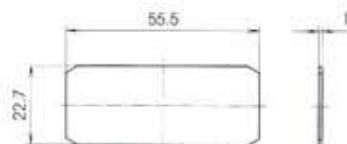
Scope of delivery:

Lid, base, plastic front panel, battery compartment lid, enclosure screw

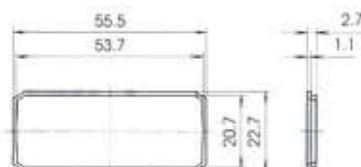
Accessories (additional charge)

| Order no. | Description |
|-----------|----------------------------------|
| 34955006 | Front panel, infrared-permissive |
| 34055000 | Aluminium front panel |

Alum. front panel (non-standard)

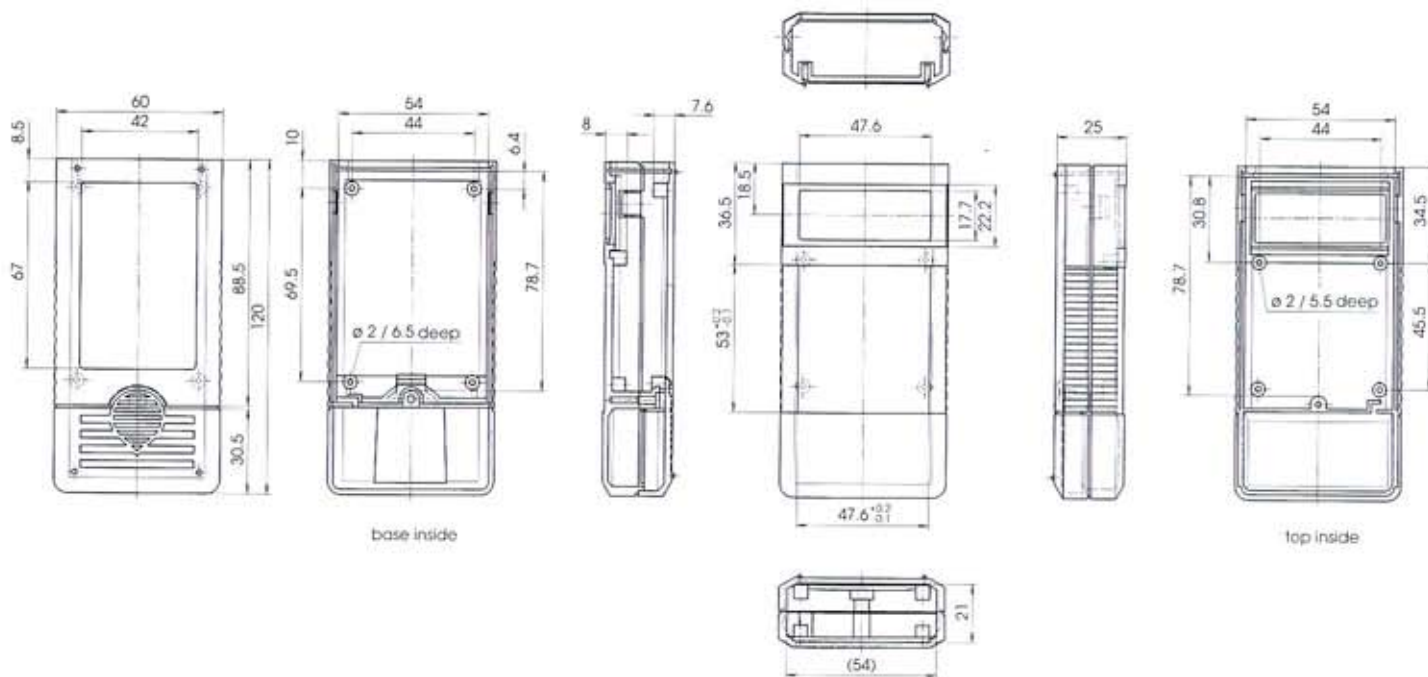


Plastic front panel (scope of delivery)



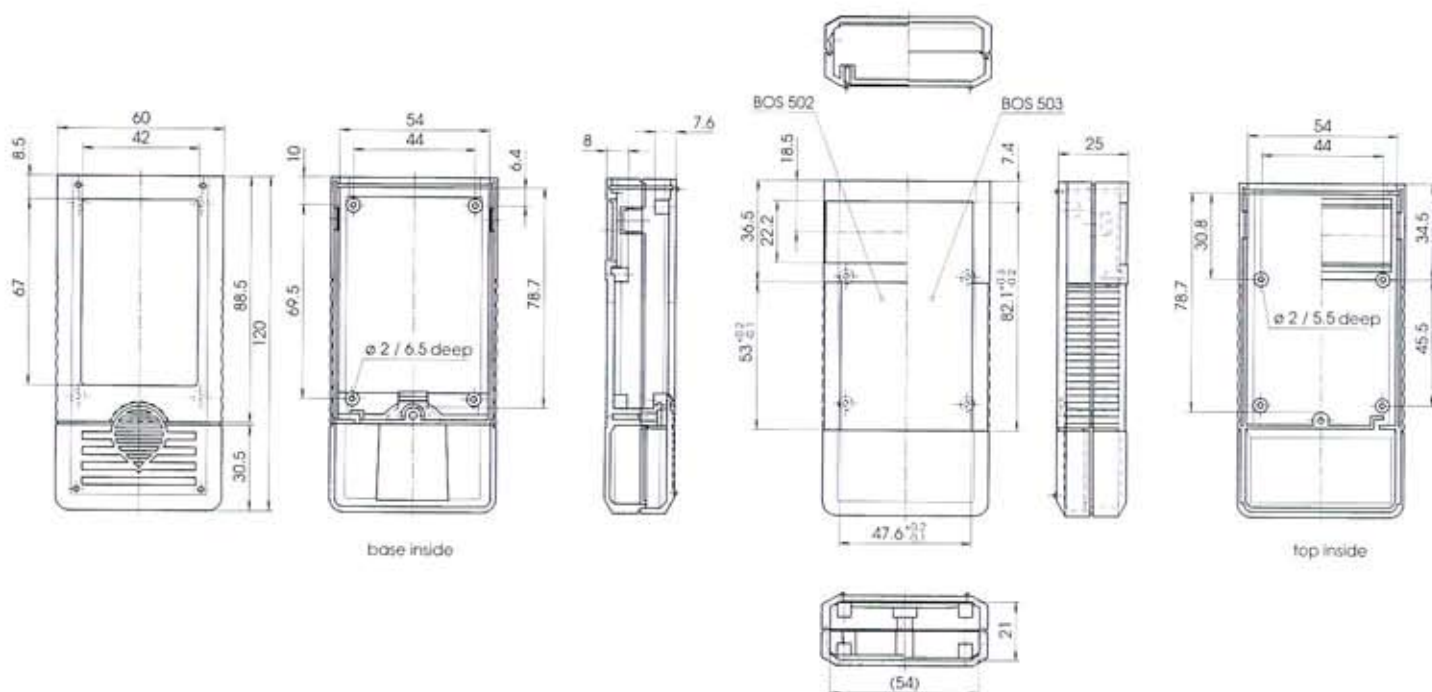
Z 2800284 F

BOS 500/501



Z 2800284

BOS 502/503



Z 2800848

BOS 600



BOS 600/601



BOS 602

3 x



BOS 600/601

Order designation

| Model | Order no. (black) | Type | Bat. comp. |
|---------|-------------------|---------------------------|------------|
| BOS 600 | 34600000 | Display screen | 9V block |
| BOS 601 | 34601000 | With membrane keypad area | 9V block |

External dim.: L 172 x W 77 x H 25 mm

Key area:

BOS 600 = L 112 x W 52 x D 1 mm

BOS 601 = L 154 x W 52 x D 1 mm

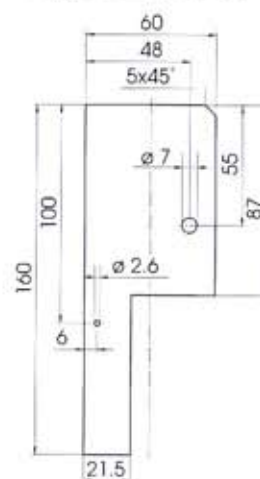
Ingress protection: IP 40

Special features: The built-in board is clamped several times between lid and base part and additionally fixed with only one screw.

Scope of delivery:

Lid, base, 2 plastic front panels, screws, battery compartment lid; BOS 600 with display screen

Suggestion for PCB:



Z-2800706-P

BOS 602

Order designation

| Model | Order no. (black) | Type | Bat. comp. |
|---------|-------------------|--------------------|-----------------|
| BOS 602 | 34602000 | Loudspeaker grille | 3 x 1.5V mignon |

External dim.: L 172 x W 77 x H 25 mm

Key area: L 112 x W 52 x D 1 mm

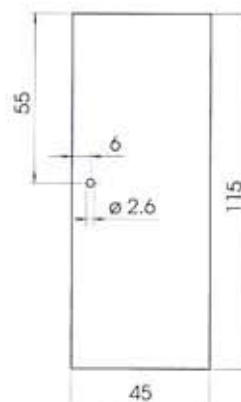
Ingress protection: IP 40

Special features: The built-in board is clamped several times between lid and base part and additionally fixed with only one screw. The battery compartment can only be accessed by opening the enclosure.

Scope of delivery:

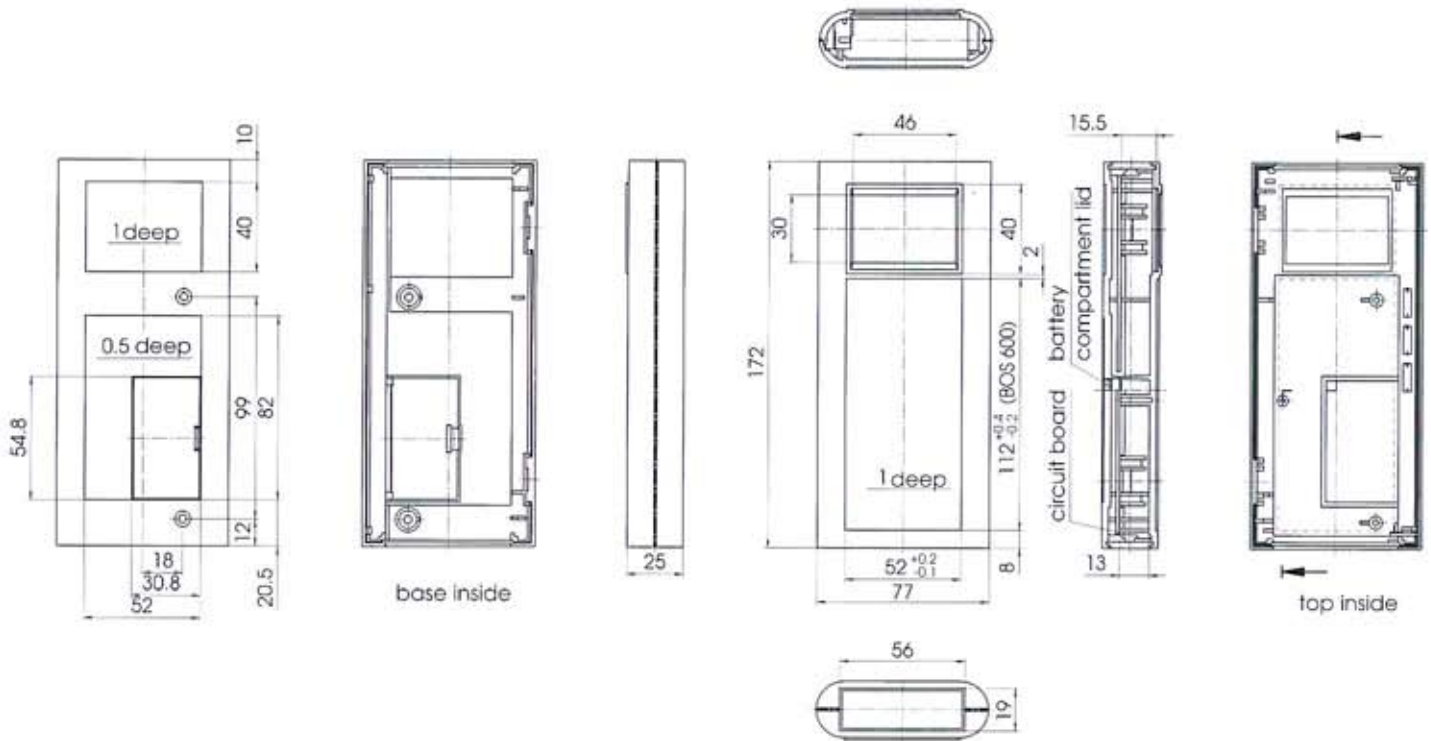
Lid, base, 2 plastic front panels, screws

Suggestion for PCB:



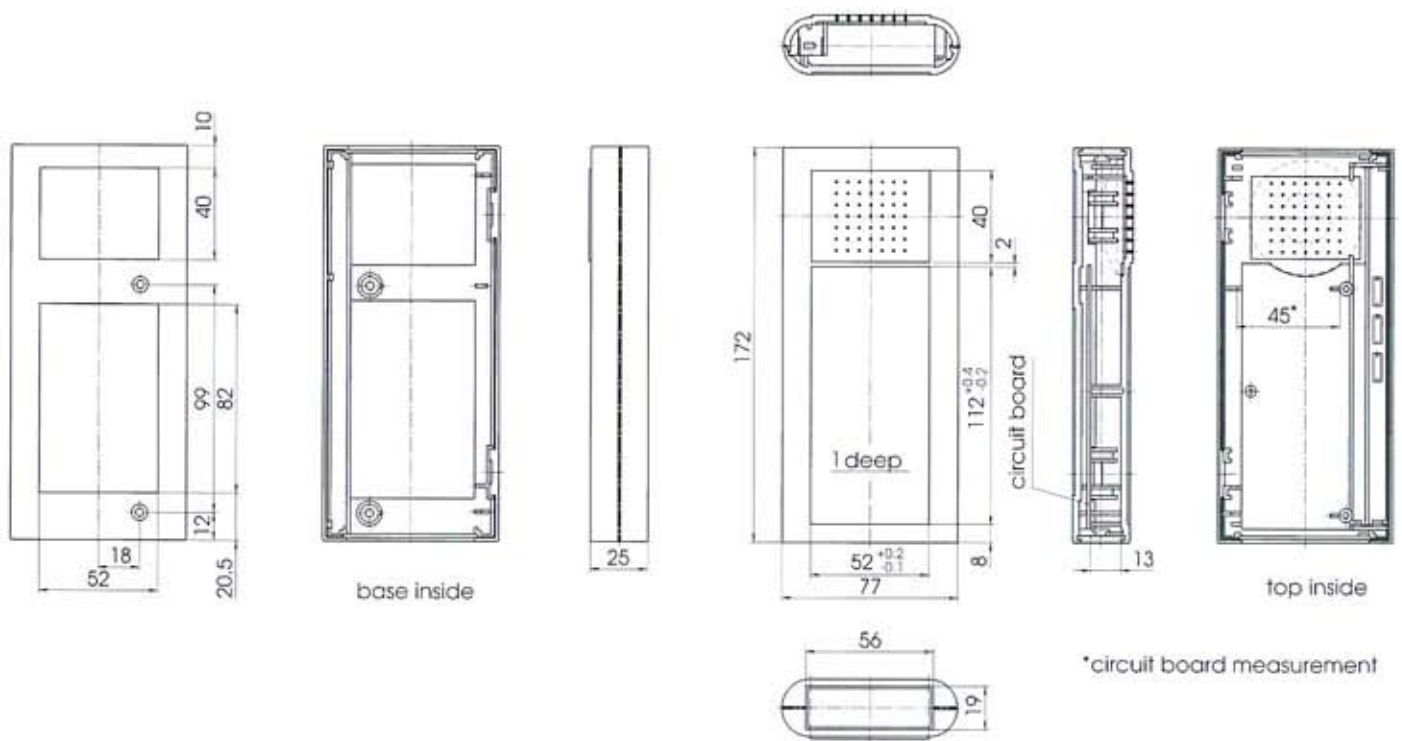
Z-2800698-P

BOS 600/601



2-2800706

BOS 602



*circuit board measurement

2-2800638

BOS 700



BOS 700/701



BOS 704/705



BOS 700/701

Order designation

| Model | Order no. (black) | Display opening | Bat. comp. |
|---------|-------------------|-----------------|------------|
| BOS 700 | 34700000 | 23 x 58 mm | 9V block |
| BOS 701 | 34701000 | 18 x 48 mm | 9V block |

External dim.: L 150 x W 80 x H 30 mm
 Key area: L 60 x W 65 x D 0.5 mm
 Ingress protection: IP 40

Special features: Mounting bosses for M2 threaded inserts are provided inside lid and base part; additional bosses for self-tapping screws inside base.

Scope of delivery:

Lid, base, plastic front panel, battery compartment lid, screws, threaded inserts.
 Please order display screen separately.

Accessories (additional charge)

| Order no. | Description |
|-----------|--------------------------|
| 26000800 | PVC display screen, 1 mm |

Note

The entire enclosure series BOS 700 to BOS 705 is still available until the end of 2007.

BOS 704/705

Order designation

| Model | Order no. (black) | Type | Display opening | Bat. comp. |
|---------|-------------------|-----------------------|-----------------|------------|
| BOS 704 | 34704000* | With slide for switch | 23 x 58 mm | 9V block |
| BOS 705 | 34705000 | With slide for switch | 18 x 48 mm | 9V block |

* available on request

External dim.: L 150 x W 80 x H 30 mm
 Key area: L 60 x W 65 x D 0.5 mm
 Ingress protection: IP 40

Special features: Mounting bosses for M2.5 threaded inserts are provided inside lid and base part; additional bosses for self-tapping screws inside base.

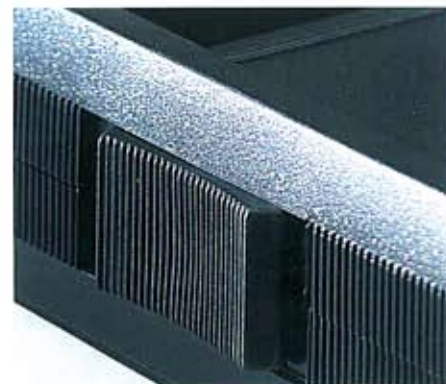
Scope of delivery:

Lid, base, plastic front panel, battery compartment lid, screws, threaded inserts.
 Please order display screen separately.

Accessories (additional charge)

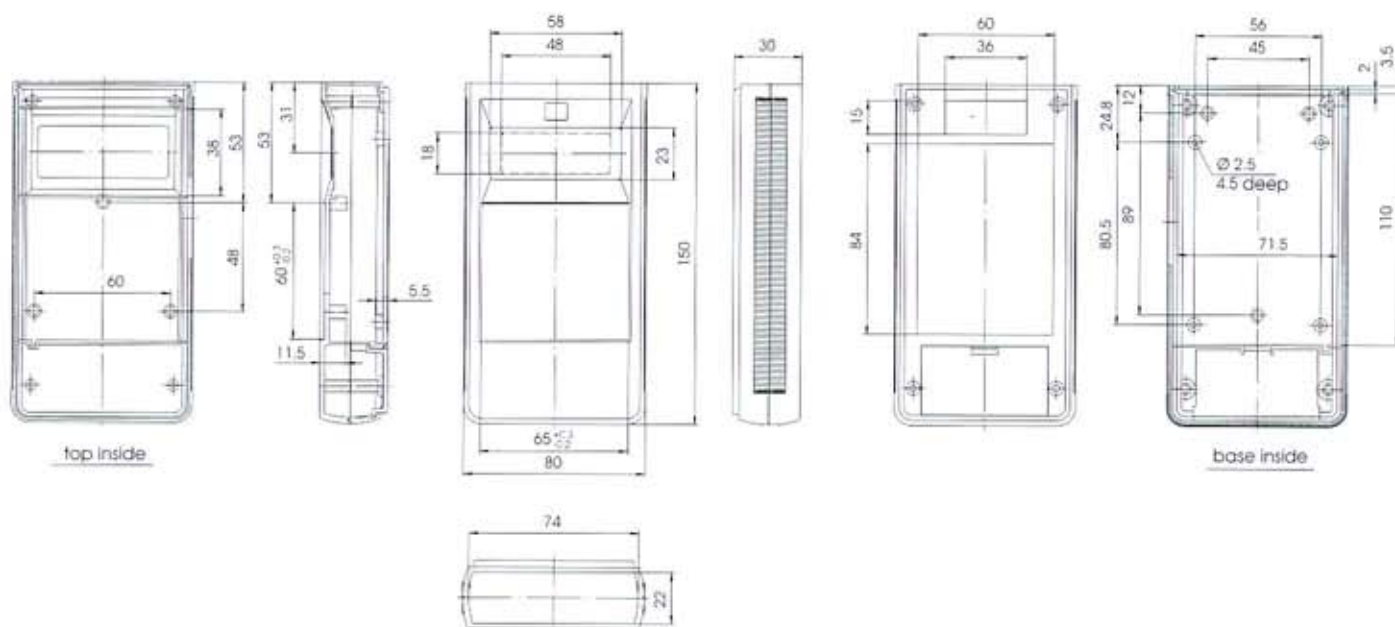
| Order no. | Description |
|-----------|--------------------------|
| 26000800 | PVC display screen, 1 mm |

Slide for switch:



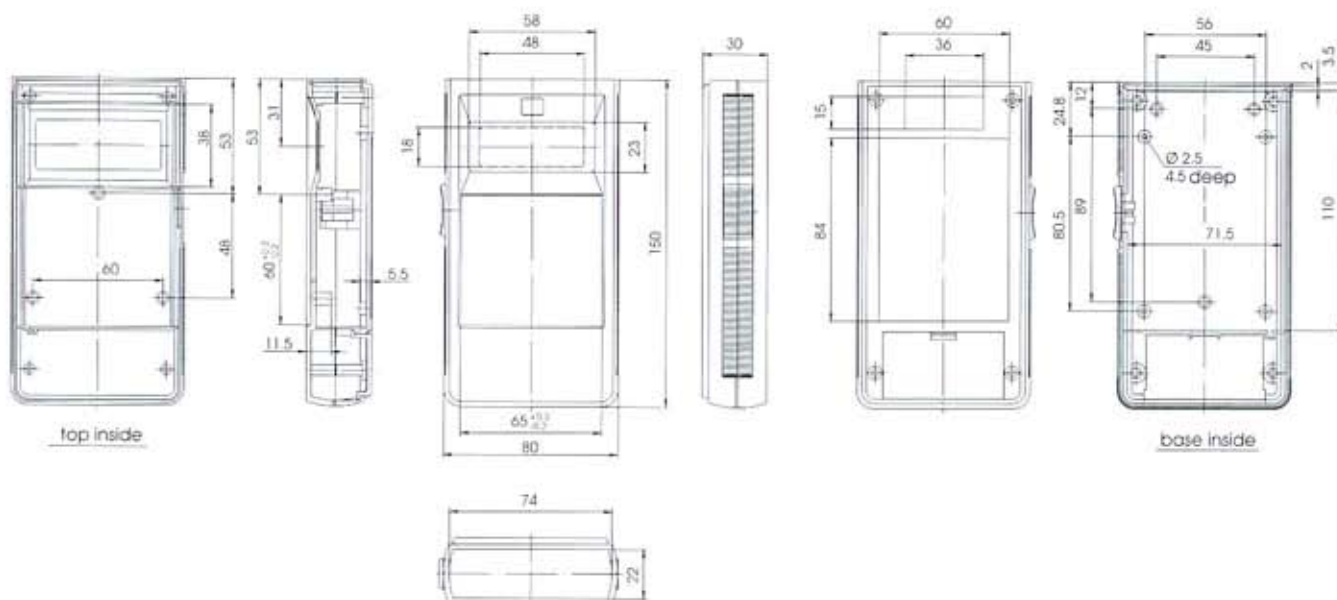
Operation of a PCB-mounted flip or sliding switch by means of slide fitted on the side.

BOS 700/701



Z-2902265

BOS 704/705



Z-2802266



BOS 750



BOS 750/751/752

Order designation

| | Black | Agate grey | | |
|---------|-----------|------------|---------------------------|------------|
| Model | Order no. | Order no. | Type | Bat. comp. |
| BOS 750 | 34750000 | 34750001 | Panoramic display screen | 9V block |
| BOS 751 | 34751000 | 34751001 | Display screen | 9V block |
| BOS 752 | 34752000 | 34752001 | With membrane keypad area | 9V block |

External dim.: L 157 x W 84 x H 30 mm

Key area:

BOS 750/751 = L 86.1 x W 70.1 x D 1 mm

BOS 752 = L 133.2 x W 70.1 x D 1 mm

Ingress protection: IP 40

Scope of delivery:

Lid, base, plastic front panel, battery compartment lid, screws; BOS 750 with panoramic display screen, BOS 751 with display screen.



BOS 753/754/755

Order designation

| | Black | Agate grey | |
|---------|-----------|------------|---------------------------|
| Model | Order no. | Order no. | Type |
| BOS 753 | 34753000 | - | Panoramic display screen |
| BOS 754 | 34754000 | 34754001 | Display screen |
| BOS 755 | 34755000 | 34755001 | With membrane keypad area |

External dim.: L 157 x W 84 x H 30 mm

Key area:

BOS 753/754 = L 86.1 x W 70.1 x D 1 mm

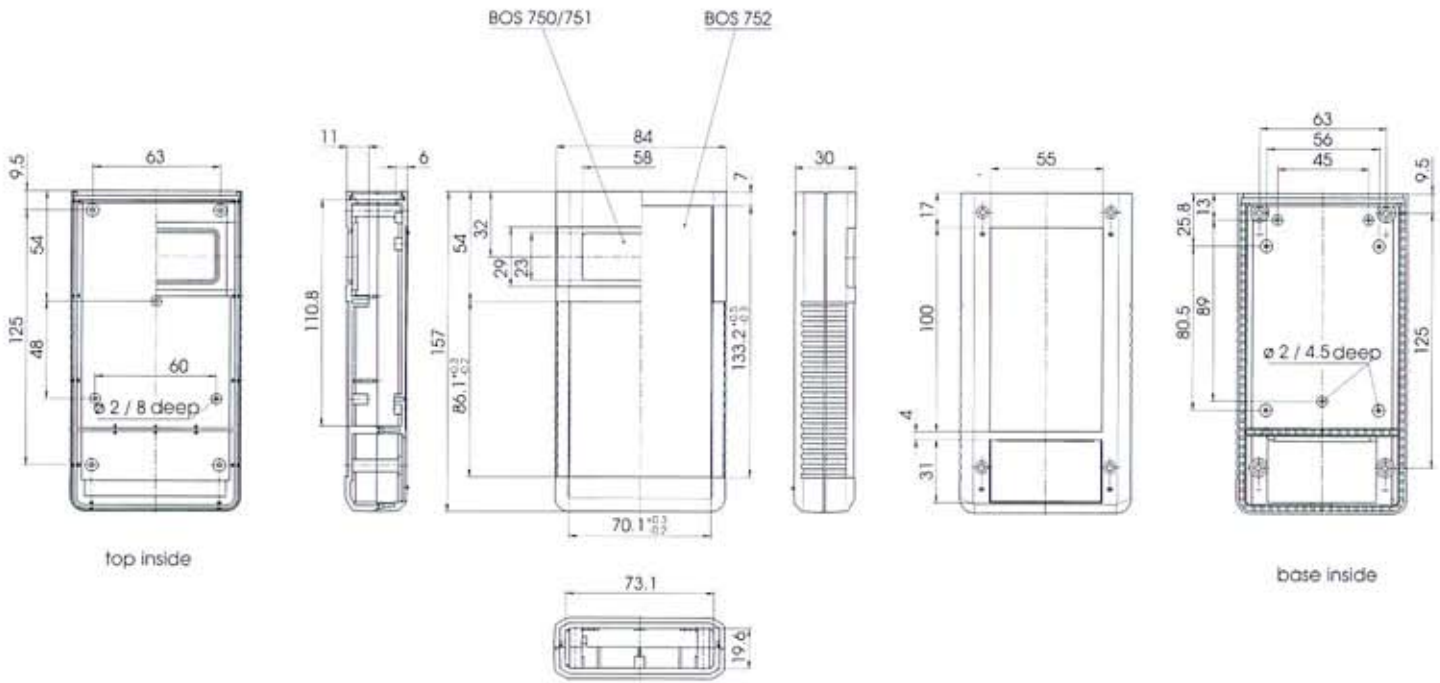
BOS 755 = L 133.2 x W 70.1 x D 1 mm

Ingress protection: IP 40

Scope of delivery:

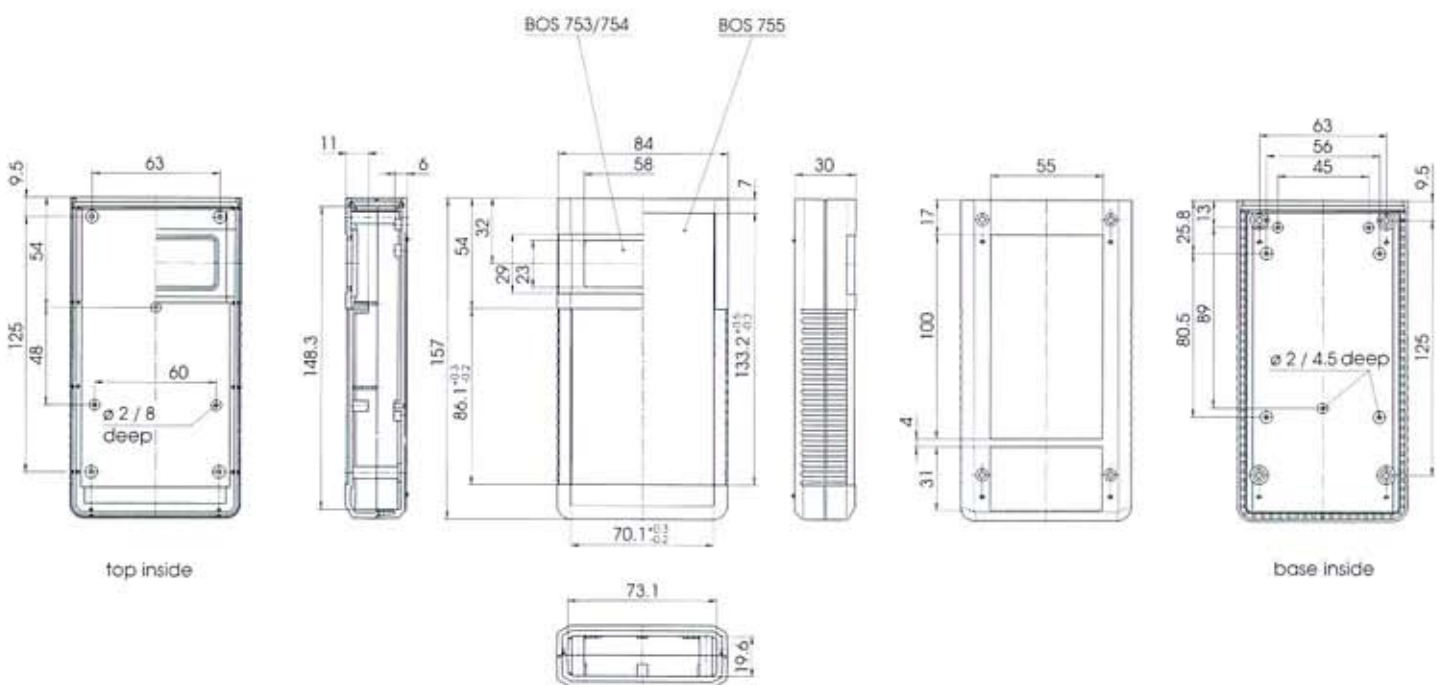
Lid, base, plastic front panel, screws; BOS 753 with panoramic display screen, BOS 754 with display screen.

BOS 750 - 752



Z.2800813

BOS 753 - 755



Z.2800814

BOS 750



BOS 756/757/758



BOS 759/760/761

BOS 756/757/758

Order designation

| Model | Order no. (black) | Type | Bat. comp. |
|---------|-------------------|--|------------|
| BOS 756 | 34756000 | Panoramic display screen, with slide for switch | 9V block |
| BOS 757 | 34757000 | Display screen, with slide for switch | 9V block |
| BOS 758 | 34758000 | With membrane keypad area, with slide for switch | 9V block |

External dim.: L 157 x W 84 x H 30 mm
 Key area:
 BOS 756/757 = L 86.1 x W 70.1 x D 1 mm
 BOS 758 = L 133.2 x W 70.1 x D 1 mm
 Ingress protection: IP 40

Special features:
 The slide on the side can operate a flip or sliding switch.

Scope of delivery:
 Lid, base, plastic front panel, battery compartment lid, screws;
 BOS 756 with panoramic display screen, BOS 757 with display screen.

Slide for switch:



Operation of a PCB-mounted flip or sliding switch by means of slide fitted on the side.

BOS 759/760/761

Order designation

| Model | Order no. (black) | Type |
|---------|-------------------|--|
| BOS 759 | 34759000 | Panoramic display screen, with slide for switch |
| BOS 760 | 34760000 | Display screen, with slide for switch |
| BOS 761 | 34761000 | With membrane keypad area, with slide for switch |

External dim.: L 157 x W 84 x H 30 mm
 Key area:
 BOS 759/760 = L 86.1 x W 70.1 x D 1 mm
 BOS 761 = L 133.2 x W 70.1 x D 1 mm
 Ingress protection: IP 40

Special features:
 The slide on the side can operate a flip or sliding switch.

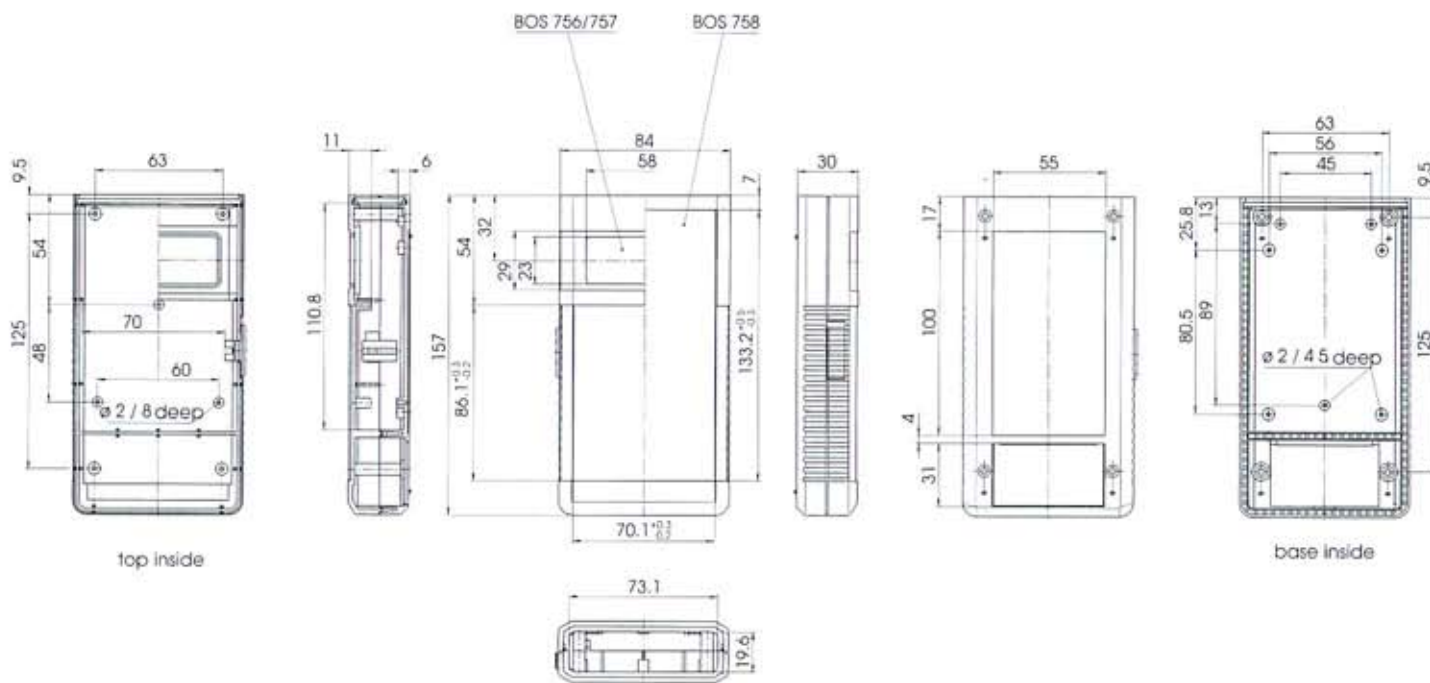
Scope of delivery:
 Lid, base, plastic front panel, battery compartment lid, screws;
 BOS 759 with panoramic display screen, BOS 760 with display screen.

Slide for switch:



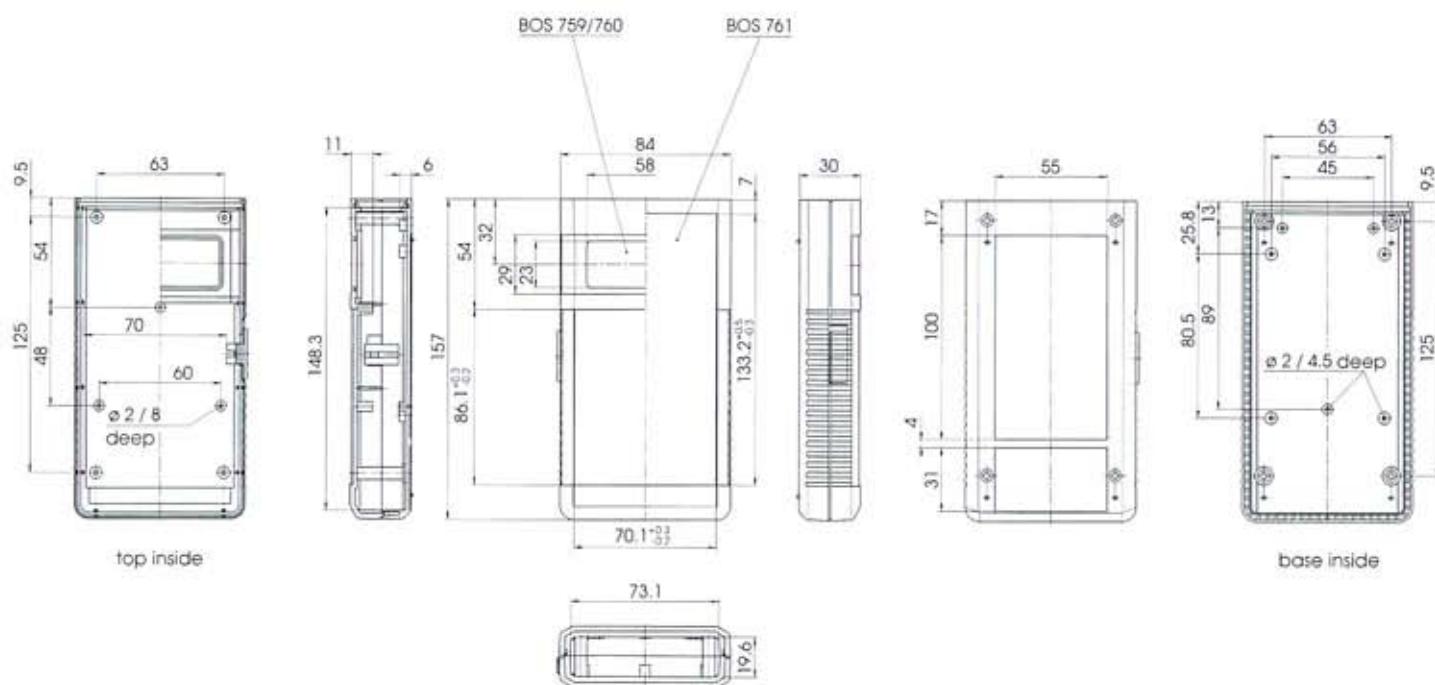
Operation of a PCB-mounted flip or sliding switch by means of slide fitted on the side.

BOS 756 - 758



2-2800815

BOS 759 - 761



2-2800815

BOS 800



BOS 800/801/802

Order designation

| Model | Order no. | | Type | Bat. comp. |
|---------|-----------|------------|--------------------------|-----------------|
| | Black | Agate grey | | |
| BOS 800 | 34800000 | 34800001 | Panoramic display screen | 4 x 1.5V mignon |
| BOS 801 | 34801000 | 34801001* | Display screen | 4 x 1.5V mignon |
| BOS 802 | 34802000 | 34802001* | Without display opening | 4 x 1.5V mignon |

External dim.: L 196 x W 100 x H 40 mm

Key area:

BOS 800/801: L 92.6 x W 80.1 x D 1 mm,

BOS 802: L 92.6 x W 80.1 x D 0.25 mm

Ingress protection: IP 40

Special features: Alternatively, 2 x 9V block batteries can be fitted in the battery compartment.

* available on request

Scope of delivery:

Lid, base, plastic front panel, screws, battery compartment lid, contacts; BOS 800 with panoramic display screen, BOS 801 with display screen.

BOS 803/804/805

Order designation

| Model | Order no. | | Type |
|---------|-----------|------------|--------------------------|
| | Black | Agate grey | |
| BOS 803 | 34803000 | 34803001* | Panoramic display screen |
| BOS 804 | 34804000 | 34804001 | Display screen |
| BOS 805 | 34805000 | 34805001* | Without display opening |

External dim.: L 196 x W 100 x H 40 mm

Key area:

BOS 803/804: L 92.6 x W 80.1 x D 1 mm,

BOS 805: L 92.6 x W 80.1 x D 0.25 mm

Ingress protection: IP 40

Scope of delivery:

Lid, base, plastic front panel, screws; BOS 803 with panoramic display screen, BOS 804 with display screen.

* available on request

BOS 807/808

Order designation

| Model | Order no. | | Type | Bat. comp. |
|---------|-----------|------------|---------------------------|-----------------|
| | Black | Agate grey | | |
| BOS 807 | 34807000 | 34807001 | With membrane keypad area | 4 x 1.5V mignon |
| BOS 808 | 34808000 | 34808001 | With membrane keypad area | - |

External dim.: L 196 x W 100 x H 40 mm

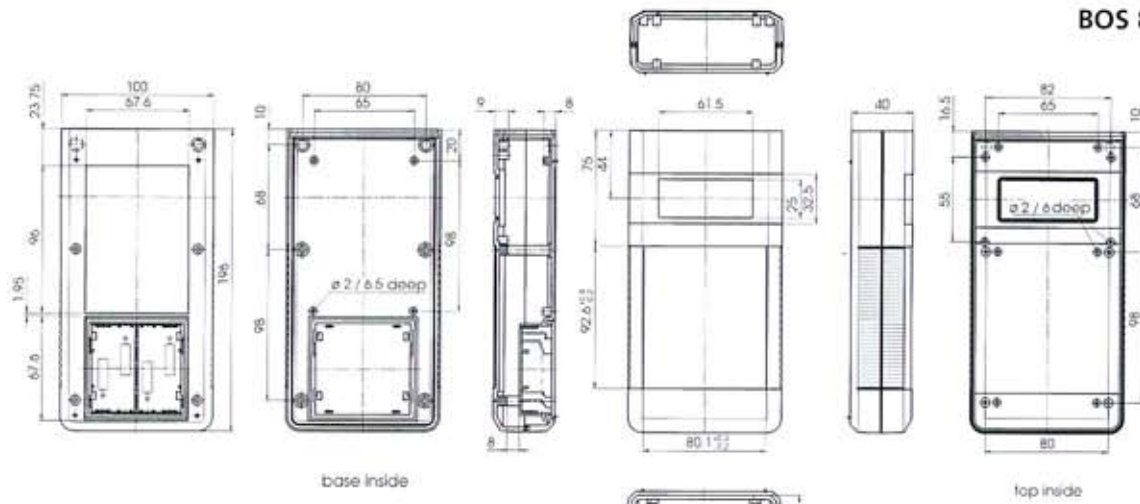
Key area: L 160 x W 80.1 x D 1 mm

Ingress protection: IP 40

Scope of delivery:

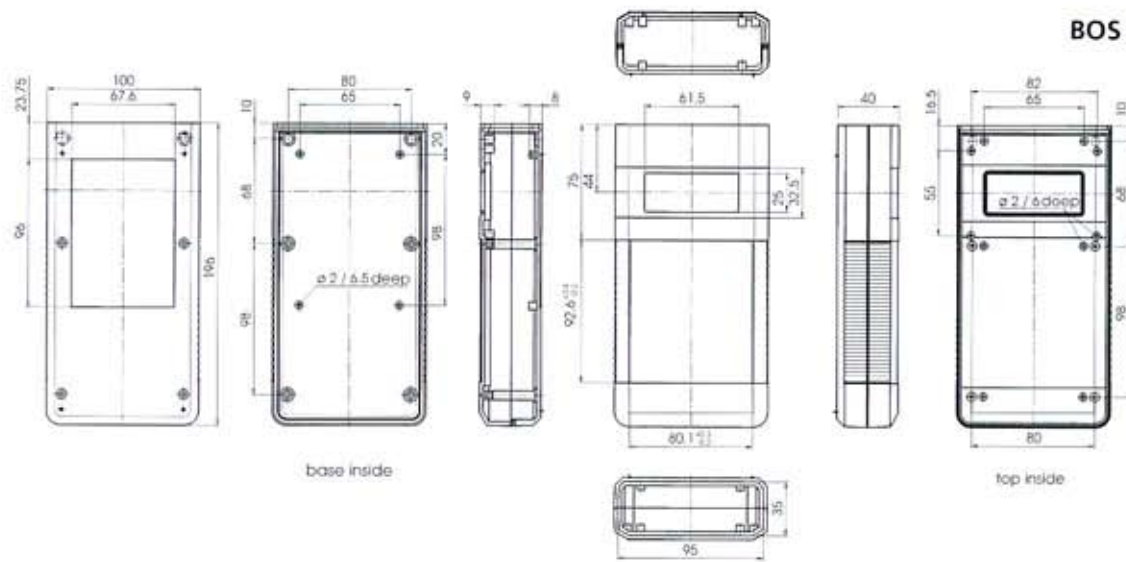
Lid, base, plastic front panel, screws, battery compartment lid, contacts

BOS 800 - 802



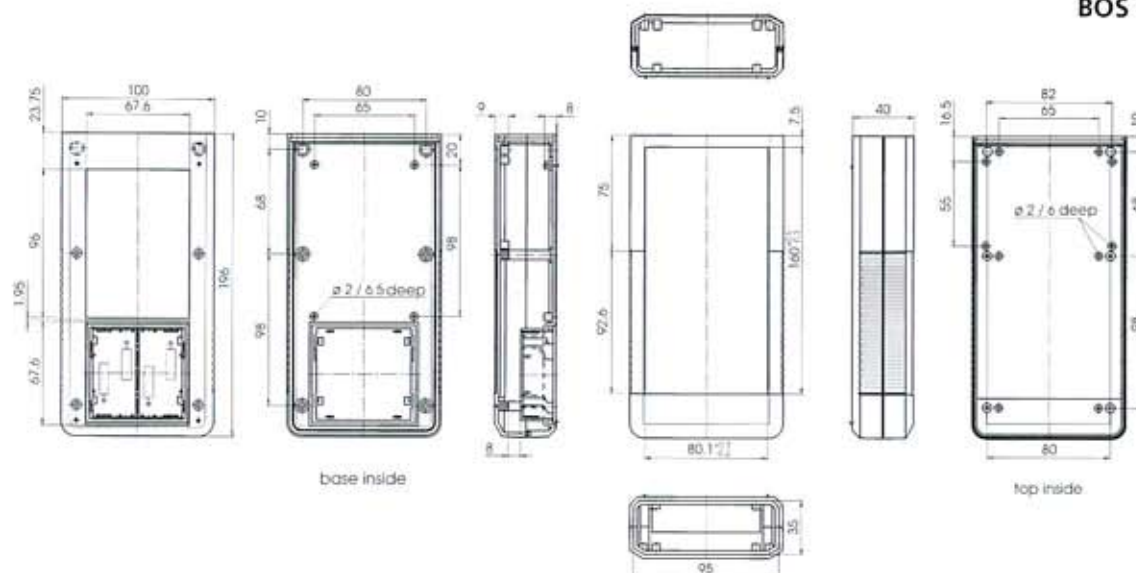
Z-2800811

BOS 803 - 805



Z-2800812

BOS 807 - 808



Z-2800852

BOS 900



BOS 900 for display
16 characters x 4 lines



BOS 901 for display
16 characters x 4 lines.
Same lid view as BOS 900.

BOS 900

Order designation

| | Black | Agate grey | |
|---------|-----------|------------|---|
| Model | Order no. | Order no. | Type |
| BOS 900 | 34900009 | 34900000 | Without battery compartment, without carrying strap |

External dim.: L 211 x W 100 x H 26 mm
Key area: L 131.6 x W 75.1 x D 1 mm
Ingress protection: IP 65 (with glued-in display screen)

Scope of delivery:

Lid with seal, base, self-tapping screws, display screen (enclosed unfitted), purpose-designed for printing, etc. Display screen can be glued in on request (price on application).

Accessories:

Intermediate frame ZR 900 see page 516, table stand STD 900 see page 516.

BOS 901

Order designation

| | Black | Agate grey | |
|---------|-----------|------------|--|
| Model | Order no. | Order no. | Type |
| BOS 901 | 34901009* | 34901000 | Without battery compartment, with carrying strap |

External dim.: L 211 x W 100 x H 26 mm
Key area: L 131.6 x W 75.1 x D 1 mm
Ingress protection: IP 65 (with glued-in display screen)

Scope of delivery:

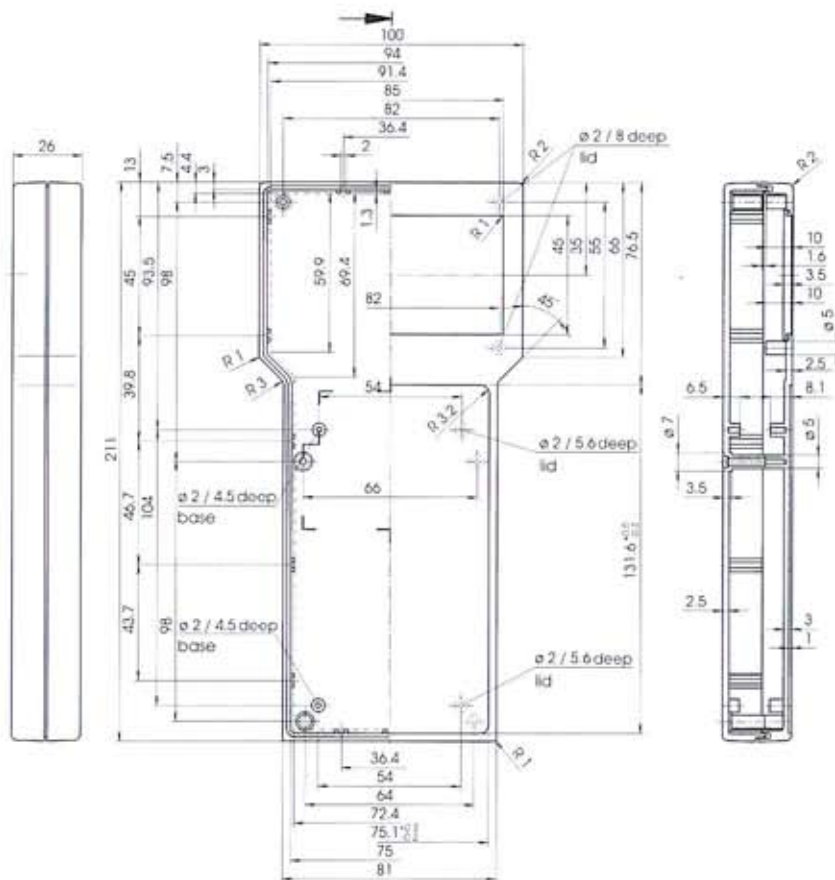
Lid with seal, base, carrying strap, set-up foot, self-tapping screws, display screen (enclosed unfitted), purpose-designed for printing, etc. Display screen can be glued in on request (price on application).

Accessories:

Intermediate frame ZR 900 see page 516, table stand STD 900 see page 516.

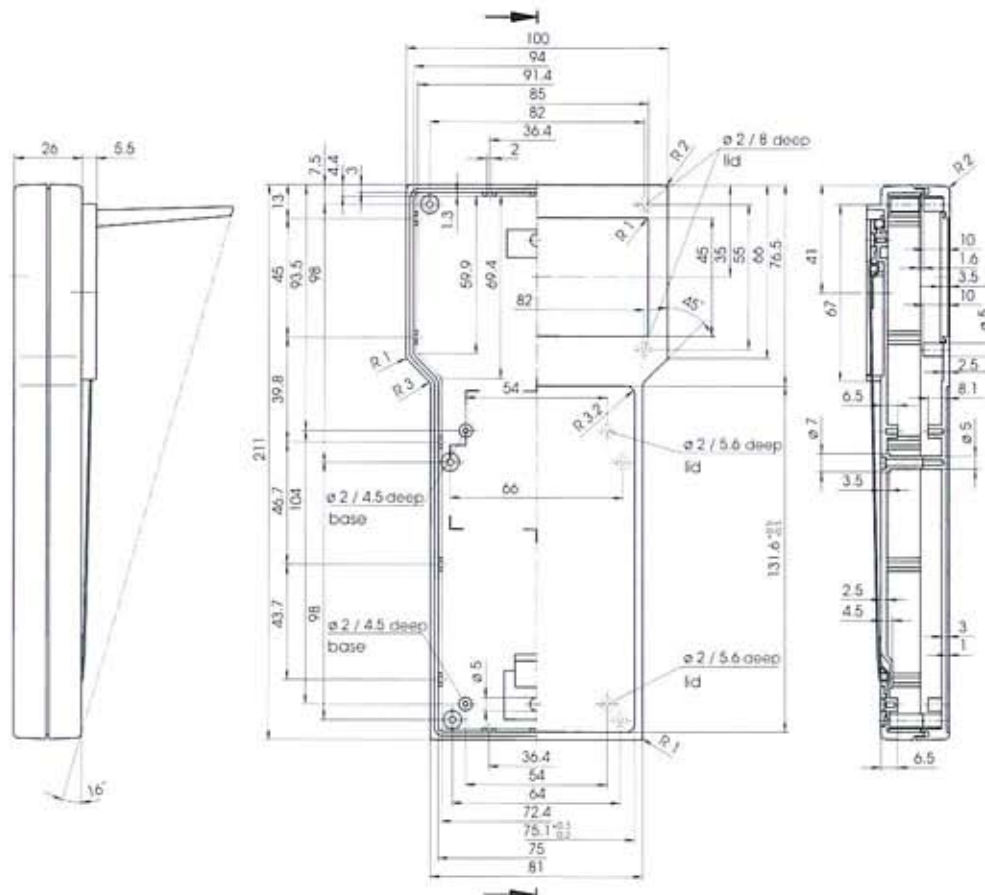
* available on request

BOS 900



2-2800356

BOS 901



2-2800362



BOS 900



BOS 902 for display
16 characters x 4 lines.
Same lid view as BOS 900.

4 x



BOS 903 for display
16 characters x 4 lines.
Same lid view as BOS 900.

2 x



BOS 902

Order designation

| | Black | Agate grey | | |
|---------|-----------|------------|---------------------|------------|
| Model | Order no. | Order no. | Type | Bat. comp. |
| BOS 902 | 34902009 | 34902000 | With carrying strap | 4 mignons |

External dim.: L 211 x W 100 x H 26 mm
Key area: L 131.6 x W 75.1 x D 1 mm
Ingress protection: IP 65 (with glued-in display screen)

Scope of delivery:

Lid with seal, base with battery compartment incl. contacts, carrying strap, self-tapping screws, display screen (enclosed unfitted), purpose-designed for printing, etc.
 Display screen can be glued in on request (price on application).

Accessories:

Intermediate frame ZR 900 see page 516,
 table stand STD 900 see page 516.

BOS 903

Order designation

| | Black | Agate grey | | |
|---------|-----------|------------|---------------------|--------------|
| Model | Order no. | Order no. | Type | Bat. comp. |
| BOS 903 | 34903009* | 34903000 | With carrying strap | 2 x 9V block |

External dim.: L 211 x W 100 x H 40 mm
Key area: L 131.6 x W 75.1 x D 1 mm
Ingress protection: IP 65 (with glued-in display screen)

Scope of delivery:

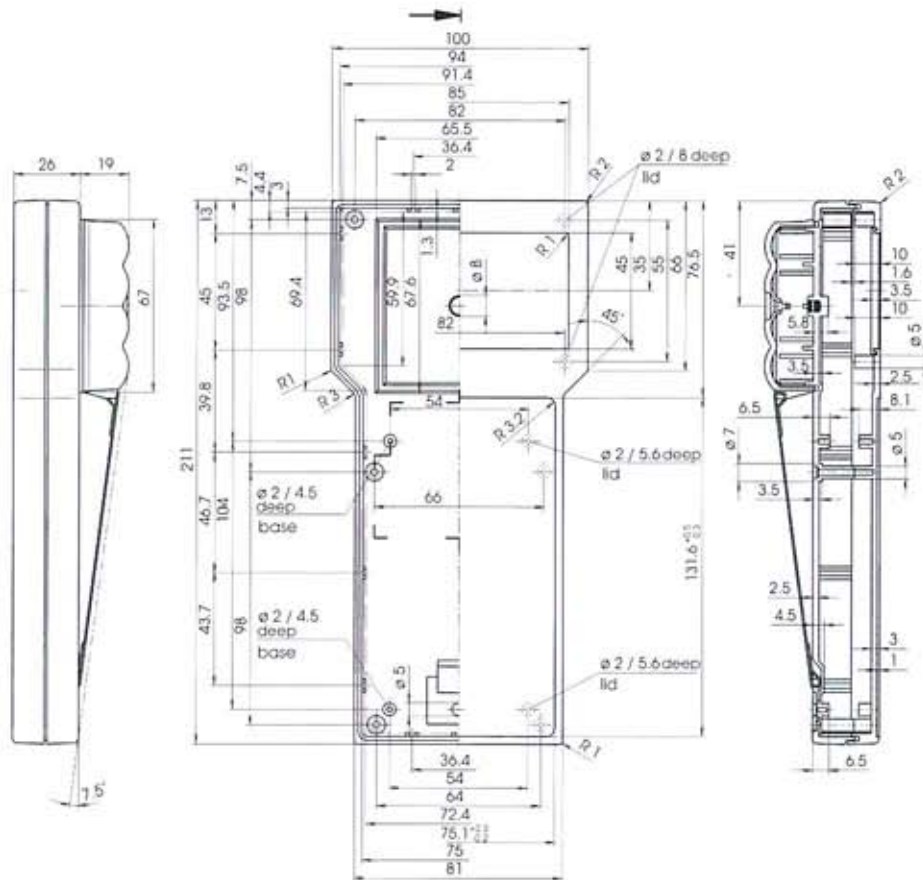
Lid with seal, base with battery compartment, carrying strap, self-tapping screws, display screen (enclosed unfitted), purpose-designed for printing, etc.
 Display screen can be glued in on request (price on application).

Accessories:

Intermediate frame ZR 900 see page 516,
 table stand STD 900 see page 516.

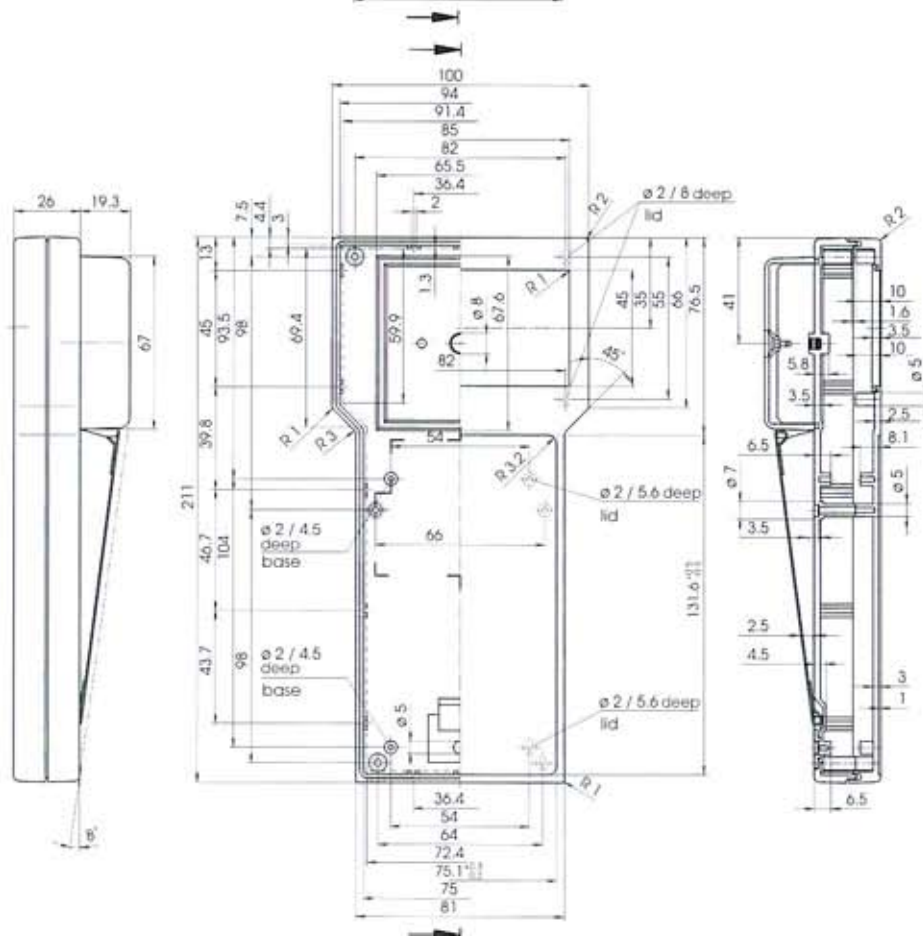
* available on request

BOS 902



2-2800357

BOS 903



2-2801270



BOS 900 accessories



STD 900



ZR 900

Table stand STD 900

Order designation

| | Black | Agate grey | |
|--------------|------------------|------------------|-------------|
| Model | Order no. | Order no. | Type |
| STD 900 | 34900029 | 34900002 | Table stand |

Ext. dim.: L 211 x W 100 x H 111 mm
Ingress protection: IP 40

Scope of delivery:

Lid, base, screws

This table stand is suitable for use as
– unit stand
– charging station
– data transfer unit
(for all BOS 900 - 903 and 910 - 913).

Electronic PCBs can be fitted on two levels, i.e. one parallel to the lid, one parallel to the base. The following variants can be created by turning the enclosure or the lid respectively:
– flat table position
– angled table position
– wall fitting

When used in connection with BP 900 F (see page 169), STD 900 is ideal for use as a charging-operation terminal. For this reason the base is fitted with surfaces which make it possible to screw two bases together. Bonding, for example by means of sub-D connectors, from a charging/transfer station (STD 900) and an operating unit (BP 900 F) is also possible. For this version the PCB should be in the upper position.

Intermediate frame ZR 900

Order designation

| | Black | Agate grey | |
|--------------|------------------|------------------|--------------------|
| Model | Order no. | Order no. | Type |
| ZR 900 | 34900909 | 34900900 | Intermediate frame |

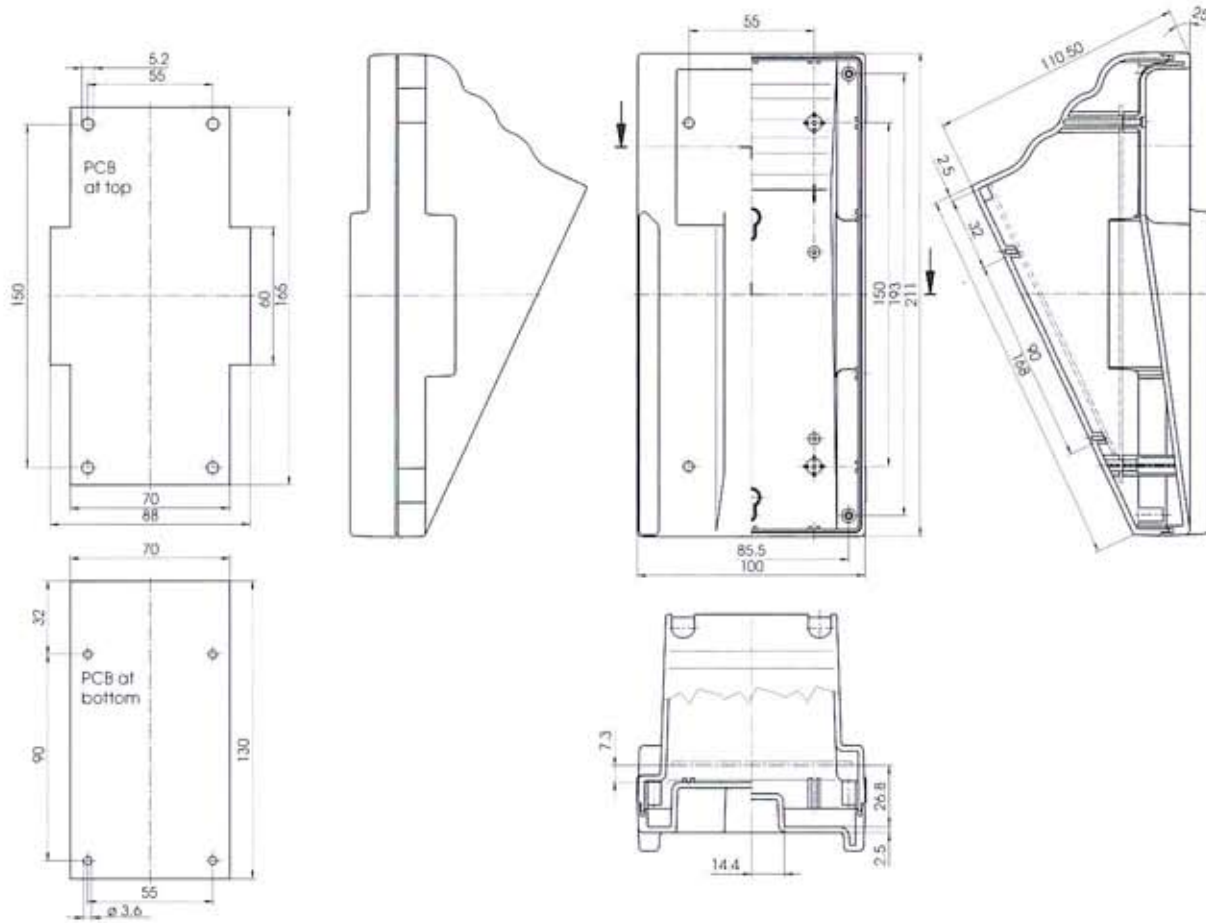
This intermediate frame can be used for all BOS 900 - 903 hand-held enclosures and raises these by 10 mm.

Scope of delivery:

Intermediate frame, mounted seal, 6 screws

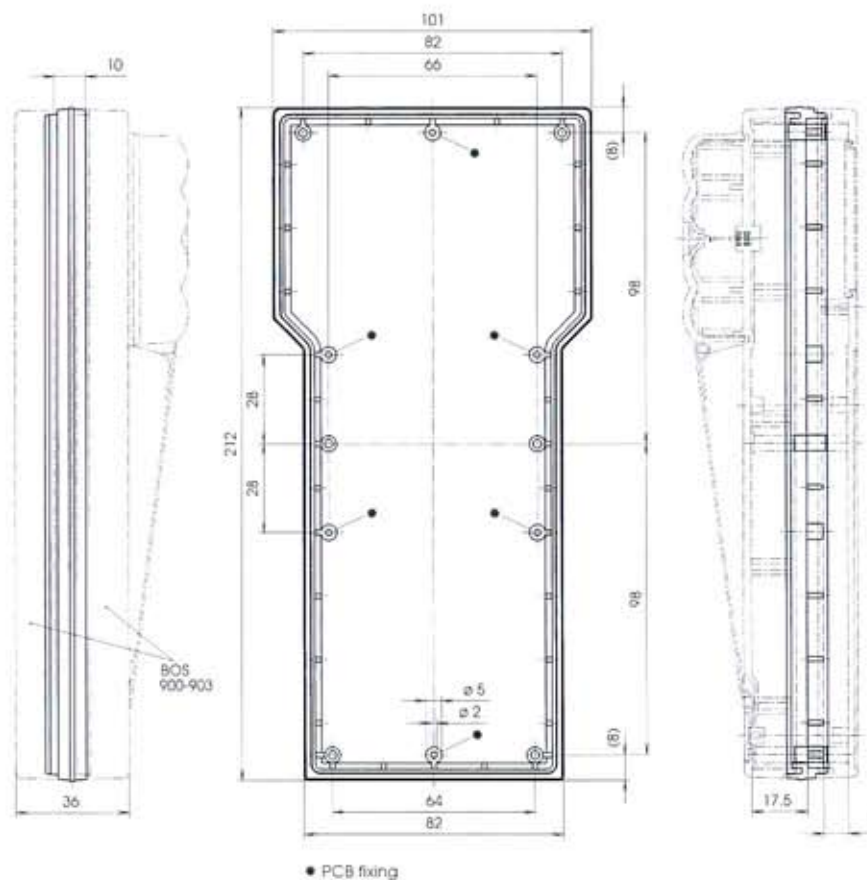
Special screws can be ordered if two intermediate frames are to be used.

This intermediate frame also has bosses for the fitting of a PCB.



STD 900

Z-2800670



ZR 900

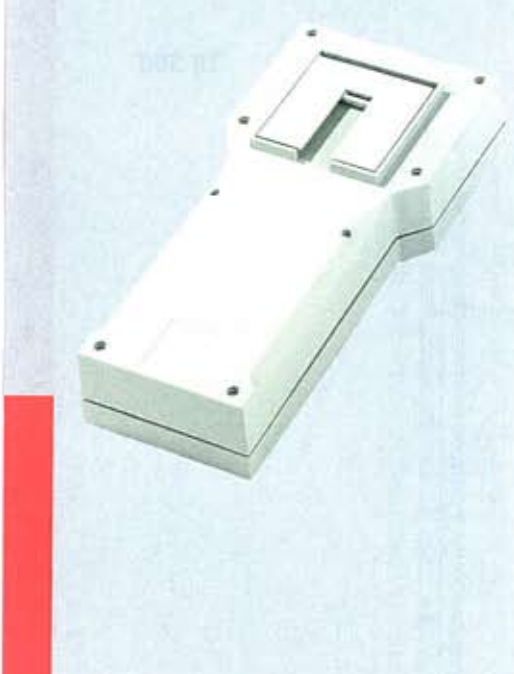
● PCB fixing

Z-2800722

BOS 910



BOS 910 for display
128 x 64 dots.



BOS 911 for display
128 x 64 dots.
Same lid view as BOS 910.

BOS 910

Order designation

| | Black | Agate grey | |
|---------|-----------|------------|-----------------------------|
| Model | Order no. | Order no. | Type |
| BOS 910 | 34910009 | 34910002 | Without battery compartment |

External dim.: L 224 x W 106 x H 40 mm
Key area: L 131.6 x W 75.1 x D 1 mm
Ingress protection: IP 65 (with glued-in display screen)

Scope of delivery:

Lid with seal, base, self-tapping screws, display screen (enclosed unfitted), purpose-designed for printing, etc.
 Display screen can be glued in on request (prices on application).

Accessories:

Table stand STD 900 see page 522;
 display adapter set ADS 910-I, display adapter set ADS 910-II, display adapter set ADS 910-III see page 522.

BOS 911

Order designation

| | Black | Agate grey | |
|---------|-----------|------------|-----------------------------|
| Model | Order no. | Order no. | Type |
| BOS 911 | 34911009 | 34911000 | Without battery compartment |

External dim.: L 224 x W 106 x H 40 mm
Keypad area: L 131.6 x W 75.1 x D 1 mm
Ingress protection: IP 65 (with glued-in display screen)

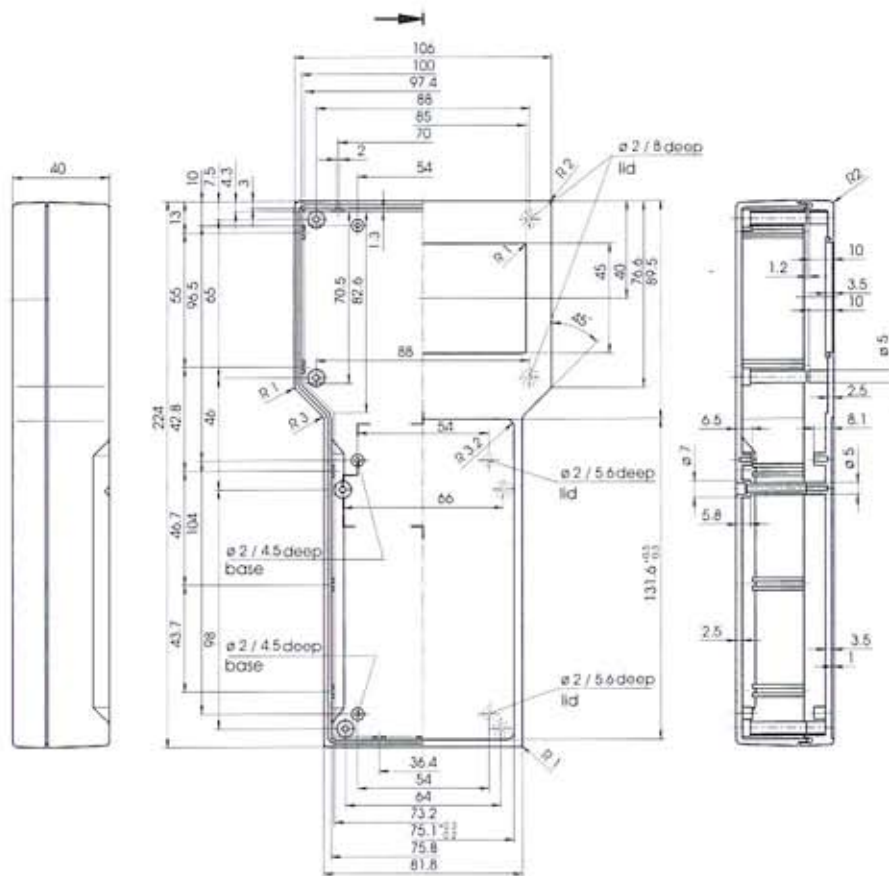
Scope of delivery:

Lid with seal, base, self-tapping screws, set-up foot, display screen (enclosed unfitted), purpose-designed for printing, etc.
 Display screen can be glued in on request (prices on application).

Accessories:

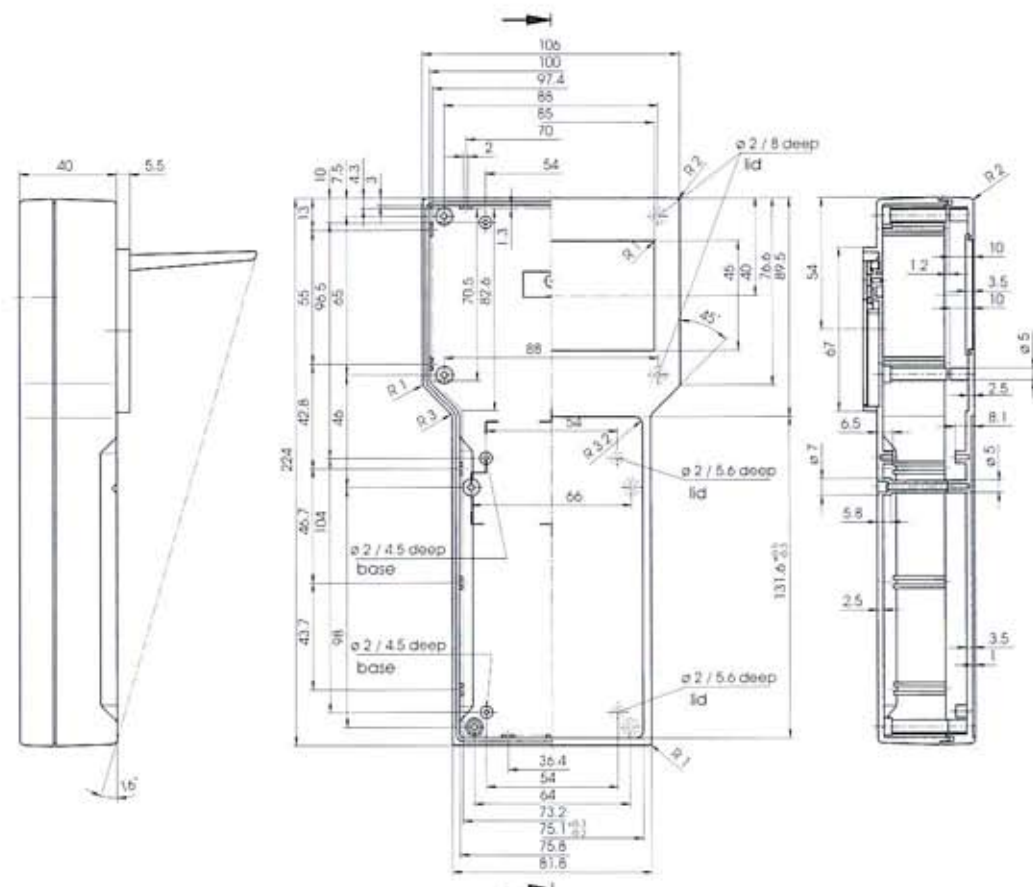
Table stand STD 900 see page 522;
 display adapter set ADS 910-I, display adapter set ADS 910-II, display adapter set ADS 910-III see page 522.

BOS 910



2.2801162

BOS 911



2.2801163

BOS 910



BOS 912 for display
128 x 64 dots.
Same lid view
as BOS 910.



BOS 913 for display
128 x 64 dots.
Same lid view
as BOS 910.



BOS 912

Order designation

| Model | Black | Agate grey | Type | Bat. comp. |
|---------|-----------|------------|--------------------|------------|
| | Order no. | Order no. | | |
| BOS 912 | 34912009 | 34912000 | With battery comp. | 4 mignons |

Key area: L 131.6 x W 75.1 x D 1 mm
Ingress protection: IP 65 (with glued-in display screen)

Scope of delivery:
Lid with seal, base with battery compartment incl. contacts, self-tapping screws, display screen (enclosed unfitted), purpose-designed for printing, etc.
Display screen can be glued in on request (prices on application).

Accessories:
Table stand STD 900 see page 522;
display adapter set ADS 910-I,
display adapter set ADS 910-II,
display adapter set ADS 910-III see page 522.

BOS 913

Order designation

| Model | Black | Agate grey | Type | Bat. comp. |
|---------|-----------|------------|--------------------|--------------|
| | Order no. | Order no. | | |
| BOS 913 | 34913009* | 34913000 | With battery comp. | 2 x 9V block |

Key area: L 131.6 x W 75.1 x D 1 mm
Ingress protection: IP 65 (with glued-in display screen)

Scope of delivery:
Lid with seal, base with battery compartment, self-tapping screws, display screen (enclosed unfitted), purpose-designed for printing, etc.
Display screen can be glued in on request (prices on application).

Accessories:
Table stand STD 900 see page 522;
display adapter set ADS 910-I,
display adapter set ADS 910-II,
display adapter set ADS 910-III see page 522.

* available on request



BOS 910 accessories



STD 900



ADS 910

Table stand STD 900

Order designation

| | Black | Agate grey | |
|---------|-----------|------------|-------------|
| Model | Order no. | Order no. | Type |
| STD 900 | 34900029* | 34900002 | Table stand |

Ext. dim.: L 211 x W 100 x H 111 mm
Ingress protection: IP 40

Scope of delivery:
Lid, base, screws

This table stand is suitable for use as
- unit stand
- charging station
- data transfer unit
(for all BOS 900 - 903 and 910 - 913).

* available on request

Electronic PCBs can be fitted on two levels, i.e. one parallel to the lid, one parallel to the base. The following variants can be created by turning the enclosure or the lid respectively:
- flat table position
- angled table position
- wall fitting

Adapter ADS 910 for graphic-type displays

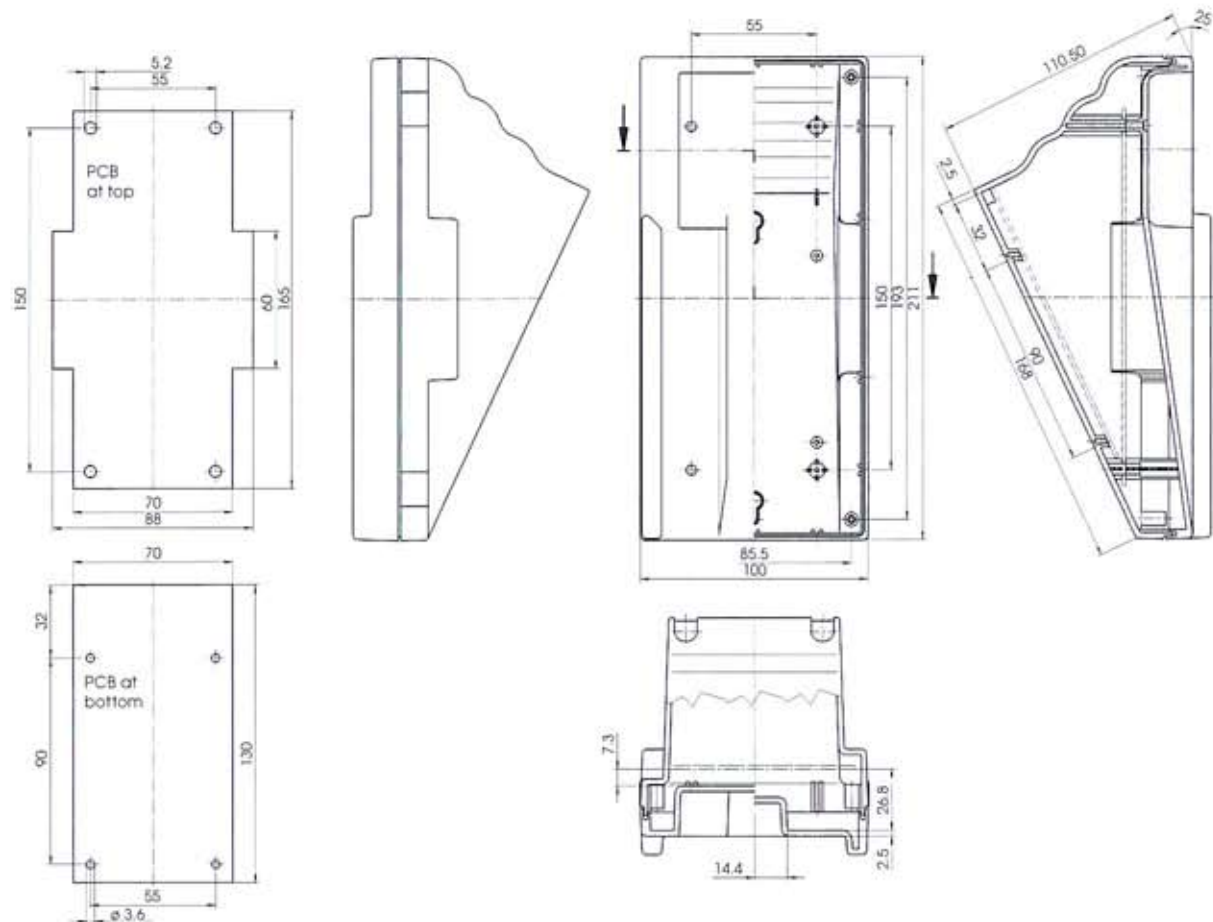
Order designation

| Model | Order no. | Type | Display fitting dimensions |
|-------------|-----------|---|----------------------------|
| ADS 910-I | 34913001 | Adapter for graphic-type displays 128 x 64 dots | 77 x 60.00 |
| ADS 910-II | 34913002 | Adapter for graphic-type displays 128 x 64 dots | 68 x 64.92 |
| ADS 910-III | 34913003 | Adapter for display 16 characters, 4 lines | 82 x 55.00 |

For use with BOS 910 - 913

Matching displays on request!

Scope of delivery:
2 plastic parts
4 screws



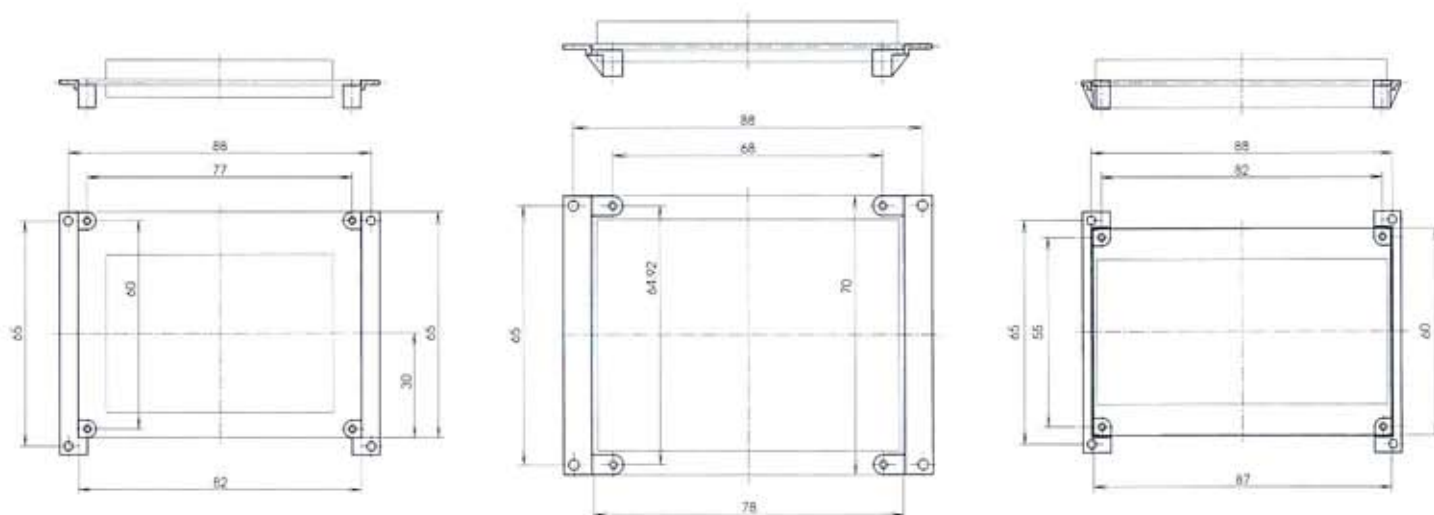
STD 900

2-2800670

ADS 910-I

ADS 910-II

ADS 910-III



2-2801444

2-2801445

2-2801446