



- Aluminium profile compact commander in 2 widths
- Applications: control equipment and display systems
- Integrated cooling system
- External system groove
- Variable profile lengths

Included in delivery

Profile enclosure body, on rear side door or screwed wall; fastening elements for front panel; front panel order separately

Technical data

Material:

enclosure profile: DIN EN 573 EN AW-AMgSi

enclosure lid: DIN EN 1706 EN AC-ALSi 12 (Fe)

Ingress protection:

IP 65 to EN 60529

Painting:

powder coating

Colour:

enclosure body and enclosure lid:

light grey, RAL 7035

multi function profile:

jet black, RAL 9005

Temperature range:

-30°C to +65°C

ComTronic

Programme range

Type	Order No.	Front plate order no.	Weight (kg)
CT 110-350-S	20.80 10 10	20.80 91 01	7.0
CT 110-520-S	20.80 10 20	20.80 91 02	8.5
CT 110-SL-S	20.80 10 99	20.80 91 98	-
CT 110-350-S-GT	20.80 11 10	20.80 91 01	7.0
CT 110-520-S-GT	20.80 11 20	20.80 91 02	8.5
CT 110-SL-S-GT	20.80 11 99	20.80 91 98	-
CT 145-350-S	20.80 40 10	20.80 91 03	9.6
CT 145-520-S	20.80 40 20	20.80 91 04	11.4
CT 145-SL-S	20.80 40 99	20.80 91 99	-
CT 145-350-S-GT	20.80 42 10	20.80 91 03	9.6
CT 145-520-S-GT	20.80 42 20	20.80 91 04	11.4
CT 145-SL-S-GT	20.80 42 99	20.80 91 99	-

SL = special length

Accessories

	Order No.
Wall holder - CT	20.80 90 01
Handle set 350 (length 350 mm)	20.80 90 02
Handle set 500 (length 500 mm)	20.80 90 03
Handle set SL	20.80 90 99
Cover plates 80 for CT 110 (4 pieces)	20.80 90 04
Cover plates 120 for CT 145 (4 pieces)	20.80 90 05
NoVoTronic adapter P80	20.80 90 06
NoVoTronic adapter P100	20.80 90 07
NoVoTronic adapter P160	20.80 90 08
Ventilator 60 for CT 110 (1 pcs.)	83.90 00 04
Ventilator 92 for CT 145 (1 pcs.)	83.90 00 05
Mounting angle with screws and spring nuts M5 (set 4 pcs.)	10.03 31 01
Spring nuts M5 (set 8 pcs.) for internal mounting	10.03 60 01

Switches and push button on request



Suspension adaptation

for adaptation of ROSE suspension systems

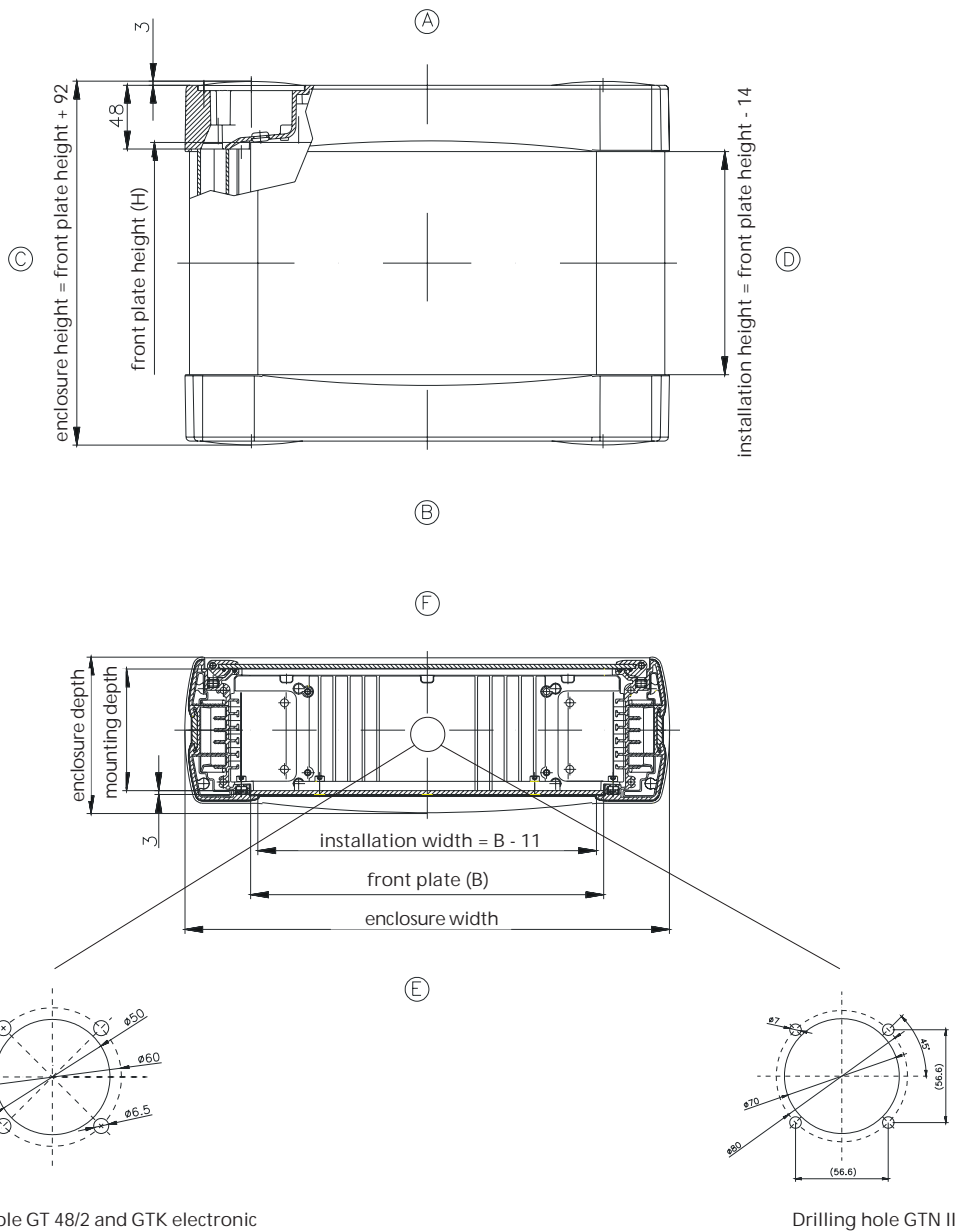
- GT 48 and GTK electronic for ComTronic 110
- GTN II for ComTronic 145
- other machining by version "without coupling hole" available

Type	GT 48	GTK electronic	GTN II	without coupling hole
CT110-350-S				X
CT110-520-S				X
CT110-SL-S				X
CT110-350-S-GT	X	X		
CT110-520-S-GT	X	X		
CT110-SL-S-GT	X	X		
CT145-350-S				X
CT145-520-S				X
CT145-SL-S				X
CT145-350-S-GT			X	
CT145-520-S-GT			X	
CT145-SL-S-GT			X	

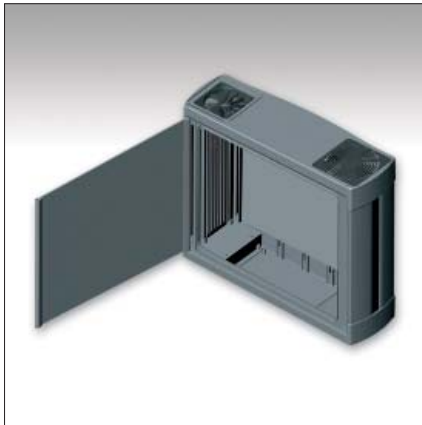
Dimensions

Type	Order No.	Front plate B x H in mm	Installation B x H in mm	Enclosure B x H in mm	Mounting depth	Enclosure depth
CT 110-350-S	20.80 10 10	266 x 350	255 x 336	365 x 442	91	118
CT 110-350-S-GT	20.80 11 10	266 x 350	255 x 336	365 x 442	91	118
CT 110-520-S	20.80 10 20	266 x 520	255 x 506	365 x 612	91	118
CT 110-520-S-GT	20.80 11 20	266 x 520	255 x 506	365 x 612	91	118
CT 110-SL-S	20.80 10 99	266 x SL	255 x SL	365 x SL	91	118
CT 110-SL-S-GT	20.80 11 99	266 x SL	255 x SL	365 x SL	91	118
CT 145-350-S	20.80 40 10	351 x 350	340 x 336	453 x 442	127	153
CT 145-350-S-GT	20.80 42 10	351 x 350	340 x 336	453 x 442	127	153
CT 145-520-S	20.80 40 20	351 x 520	340 x 506	453 x 612	127	153
CT 145-520-S-GT	20.80 42 20	351 x 520	340 x 506	453 x 612	127	153
CT 145-SL-S	20.80 40 99	351 x SL	340 x SL	453 x SL	127	153
CT 145-SL-S-GT	20.80 42 99	351 x SL	340 x SL	453 x SL	127	153

SL = special length



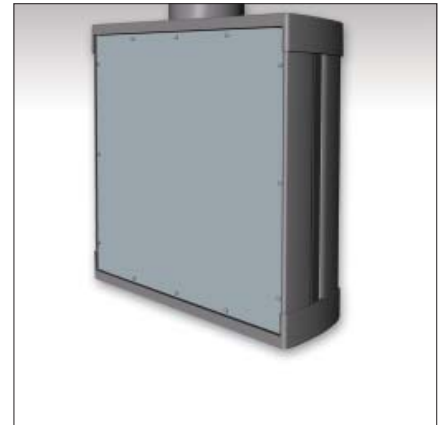
Rear wall mounting



- 1. Door with fast lock system**
- **Standard version**
 - Hinge side is fixed by pin screw with blind plugs
 - Lock side is provided only by pin screws



- 2. Door with turn bolt fastener**
- **Option available**
 - Hinge side is fixed by pin screw with blind plugs
 - Lock side is provided with two turn bolt fasteners



- 3. Rear wall completely closed**
- **Optional available**
 - Rear wall fixed by screws

Accessories



Wall holder - CT
Swivelling wall fixing unit

Order No. **20.80 90 01**



Ventilator
Option available for solving heat problems
To obtain an optimal cooling effect, 2 ventilators are recommended

Order No.	
83.90 00 04	Ventilator 60 for ComTronic 110 (1 pcs.)
83.90 00 05	Ventilator 92 for ComTronic 145 (1 pcs.)



NoVoTronic adapter
Combination element at ComTronic

Order No.	
20.80 90 06	NoVoTronic adapter P80
20.80 90 07	NoVoTronic adapter P100
20.80 90 08	NoVoTronic adapter P160