

Polyester empty enclosures for mining industry

ATEX 
IBExU



- Polyester enclosure with impact resistance > 20 Joule
- Empty enclosure for fitting in combination with Ex I approved components

Technical Data

Explosion protection:

 I M 2 Ex e I

 I M 1 Ex ia I

Certificates:

IBExU; 06 ATEX 1065U

Material:

Glasfibre-reinforced, duroplastic polyester,
graphite added

Colour:

Graphite black, similar to RAL 9011

Ingress protection:

IP 54

Impact resistance:

> 20 Joule, EN 50014

Surface resistance:

<10⁹ Ohm, EN 50014 / IEC 60079-0

Water absorption:

Max. 0,7 %, ASTM D570

Toxicity:

Halogen-free

Temperature range of application acc. EN:

-55° to +100°C

Included in delivery

empty enclosure with silicone seal and allen lid screws

Polyester empty enclosures for mining industry

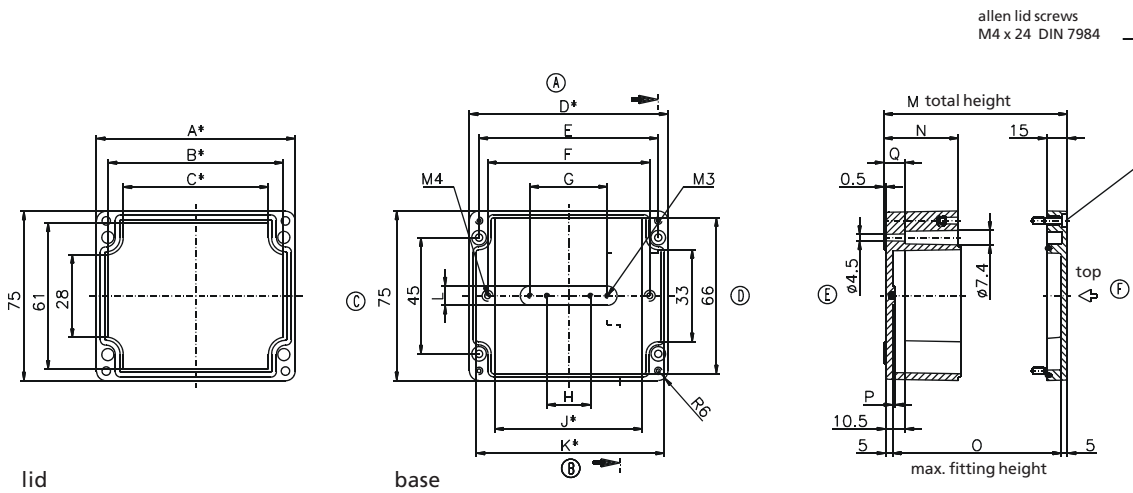
Programme range

Order No.	Dimensions
	W x L x H (mm)
48.08 08 06	75 x 80 x 56
48.08 08 08	75 x 80 x 75
48.08 11 06	75 x 110 x 56
48.08 11 08	75 x 110 x 75
48.08 16 06	75 x 160 x 56
48.08 16 08	75 x 160 x 75
48.08 19 06	75 x 190 x 56
48.08 19 08	75 x 190 x 75
48.12 12 09	120 x 122 x 91
48.12 22 09	120 x 220 x 91
48.16 16 09	160 x 160 x 91
48.16 26 09	160 x 260 x 91
48.16 36 09	160 x 360 x 91
48.16 56 09	160 x 560 x 91
48.25 26 12	250 x 255 x 121
48.25 26 16	250 x 255 x 161
48.25 40 12	250 x 400 x 121
48.25 40 16	250 x 400 x 161
48.25 60 12	250 x 600 x 121
48.36 36 09	360 x 360 x 91
48.41 40 12	405 x 400 x 121
48.41 40 20	405 x 400 x 201

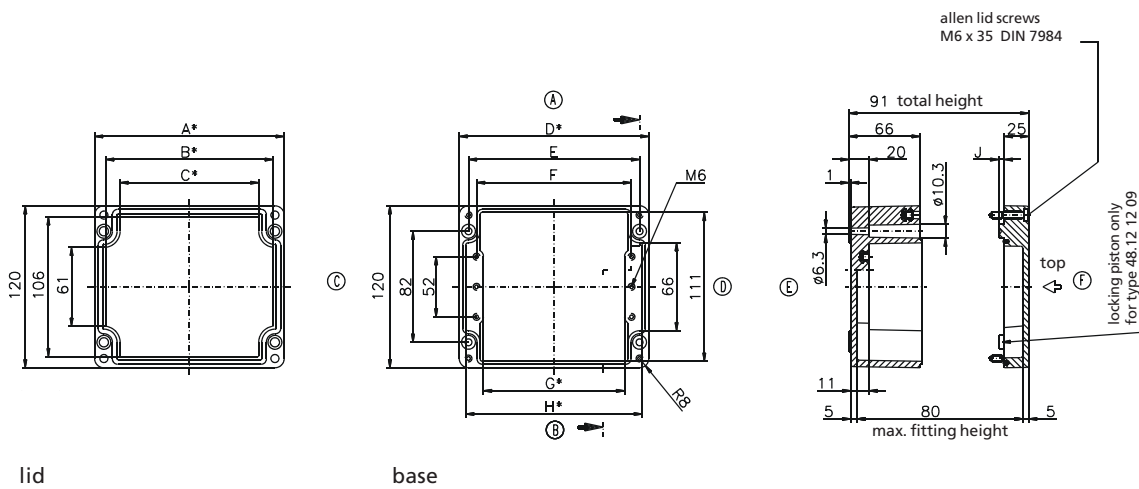
Polyester empty enclosures for mining industry

Dimensions

Type	A	B	C	D	E	F	G	H	J	K	L	M	N	O	P	Q
48.08 08 06	80	66	51	80	68	59	32	18	50	71	8	56,5	41,5	46	1	8,5
48.08 08 08	80	66	51	80	68	59			50	71		75,5	60,5	65		9,5
48.08 11 06	110	96	81	110	98	89	72	32	80	101	8	56,5	41,5	46	1	8,5
48.08 11 08	110	96	81	110	98	89			80	101		75,5	60,5	65		9,5
48.08 16 06	160	146	131	160	148	139	85	72	130	151	8	56,5	41,5	46	1	8,5
48.08 16 08	160	146	131	160	148	139			130	151		75,5	60,5	65		9,5
48.08 19 06	190	176	161	190	178	169			160	181		56,5	41,5	46		8,5
48.08 19 08	190	176	161	190	178	169			160	181		75,5	60,5	65		9,5



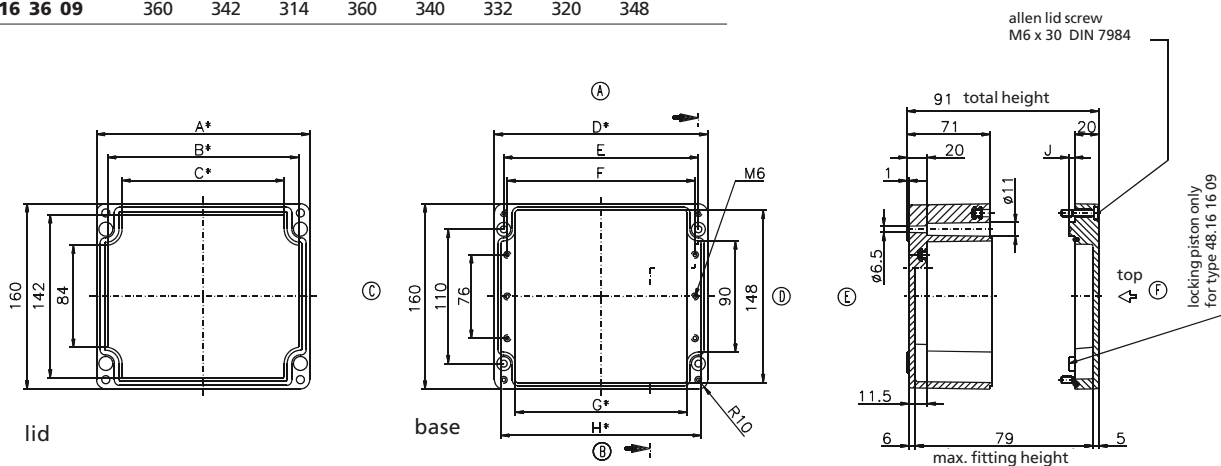
Type	A	B	C	D	E	F	G	H	J
48.12 12 09	122	108	85	122	106	95	82	113	5
48.12 22 09	220	206	183	220	204	193	180	211	



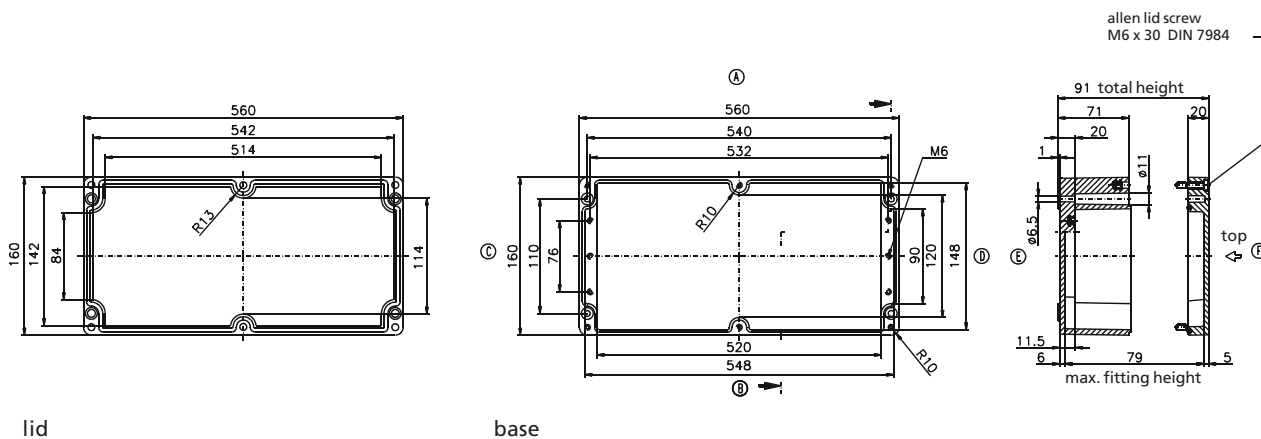
Polyester empty enclosures for mining industry

Dimensions

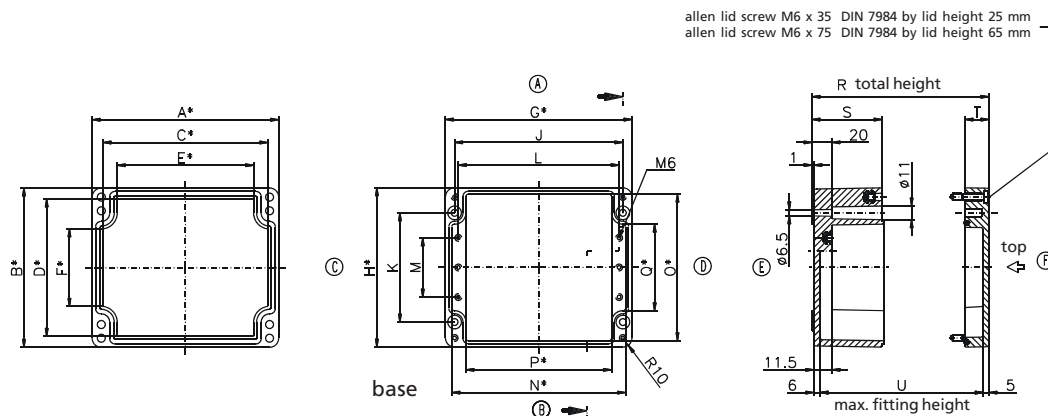
Type	A	B	C	D	E	F	G	H	J
48.16 16 09	160	142	114	160	140	132	120	148	5,5
48.16 26 09	260	242	214	260	240	232	220	248	
48.16 36 09	360	342	314	360	340	332	320	348	



Type
48.16 56 09



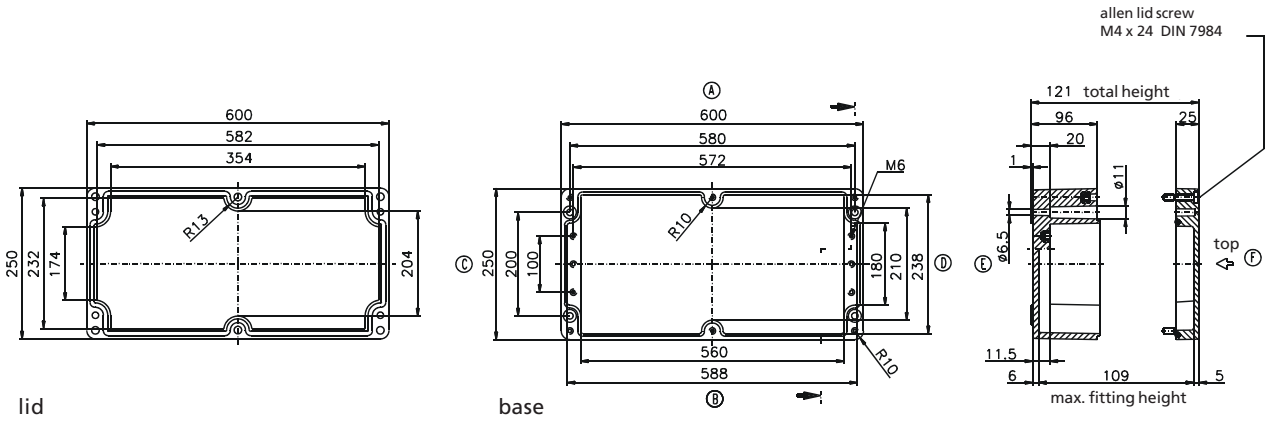
Type	A	B	C	D	E	F	G	H	J	K	L	M	N	O	P	Q	R	S	T	U
48.25 26 12	255	250	237	232	209	174	255	250	235	200	227	100	243	238	215	180	121	96	25	109
48.25 26 16	255	250	237	232	209	174	255	250	235	200	227	100	243	238	215	180	161	96	65	149
48.25 40 12	400	250	382	232	354	174	400	250	380	200	372	100	388	238	360	180	121	96	25	109
48.25 40 16	400	250	382	232	354	174	400	250	380	200	372	100	388	238	360	180	161	96	65	149



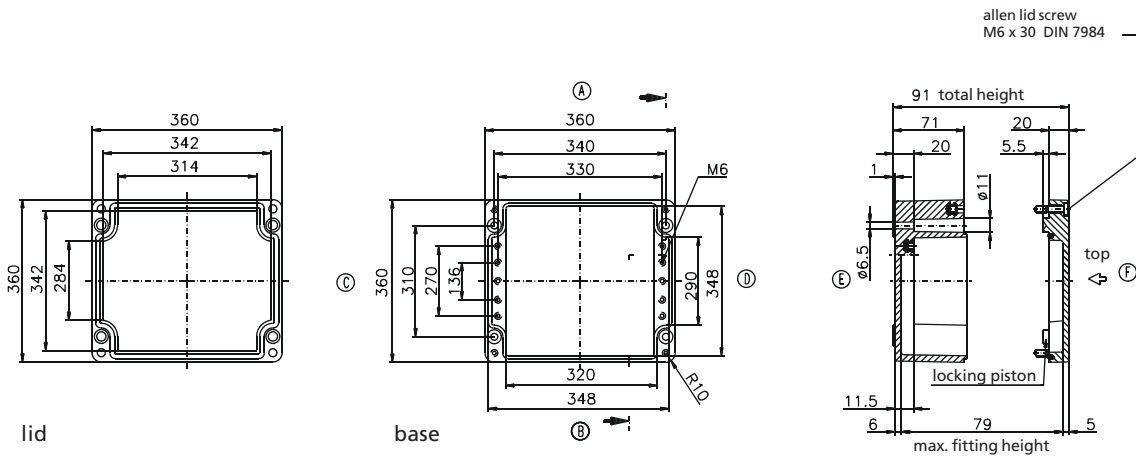
Polyester empty enclosures for mining industry

Dimensions

Type
48.25 60 12



Type
48.36 36 09



Type	A	B	C	D	E	F	G	H	J
48.41 40 12	400	405	360	335	388	393	121	96	109
48.41 40 20	400	405	360	335	388	393	201	176	189

