



NoVoTronic

Plan the beginning ...

... anticipate the end.



A Phoenix Mecano Company



- Aluminium profile enclosure system in 5 dimensions for data, PC, measurement and control technology
- External screw channels guarantee internal area without splinter
- Integrated guide grooves for PCB's
- External system groove (except NoVoTronic 200)
- Variable length by profile system

Included in delivery

Enclosure with 2 Aluminium diecast lids and 2 multi-function profiles, not screwed

Technical data

Material:

Enclosure profile: DIN EN 573 EN AW-AMgSi

Enclosure lid: DIN EN 1706 EN AC-AISI 12 (Fe)

Ingress protection:

IP 65 to EN 60529

Painting:

Powder coating

Colour:

Enclosure body and enclosure lid:

jet black, RAL 9005

Multi function profile:

ruby red, RAL 3003

EMC:

Optional EMC version

Temperature range:

-40°C to +90°C

Transparent cover: -40°C to +60°C

Tolerances:

Profile: DIN EN 12020-2

Lid: DIN 1688 GTA-13

Programme range

Enclosure type	Order No.	Order No. EMC	External enclosure	Internal enclosure
			dimensions W x H x D (mm)	dimensions W x H x D (mm)
NoVo-Tronic 80-100	07.50 10 10	07.51 10 10	106 x 49 x 120	80 x 36 x 100
NoVo-Tronic 80-160	07.50 10 11	07.51 10 11	106 x 49 x 180	80 x 36 x 160
NoVo-Tronic 80-200	07.50 10 12	07.51 10 12	106 x 49 x 220	80 x 36 x 200
NoVo-Tronic 80-SL	07.50 10 99	07.51 10 99	106 x 49 x SL	80 x 36 x SL
NoVo-Tronic 100-100	07.50 20 10	07.51 20 10	126 x 49 x 120	100 x 36 x 100
NoVo-Tronic 100-160	07.50 20 11	07.51 20 11	126 x 49 x 180	100 x 36 x 160
NoVo-Tronic 100-200	07.50 20 12	07.51 20 12	126 x 49 x 220	100 x 36 x 200
NoVo-Tronic 100-SL	07.50 20 99	07.51 20 99	126 x 49 x SL	100 x 36 x SL
NoVo-Tronic 130-130	07.50 25 10	07.51 25 10	157 x 69 x 150	130 x 57 x 130
NoVo-Tronic 130-160	07.50 25 11	07.51 25 11	157 x 69 x 180	130 x 57 x 160
NoVo-Tronic 130-200	07.50 25 12	07.51 25 12	157 x 69 x 220	130 x 57 x 200
NoVo-Tronic 130-SL	07.50 25 99	07.51 25 99	157 x 69 x SL	130 x 57 x SL
NoVo-Tronic 160-160	07.50 30 10	07.51 30 10	190 x 90 x 180	160 x 76 x 160
NoVo-Tronic 160-200	07.50 30 11	07.51 30 11	190 x 90 x 220	160 x 76 x 200
NoVo-Tronic 160-300	07.50 30 12	07.51 30 12	190 x 90 x 320	160 x 76 x 300
NoVo-Tronic 160-SL	07.50 30 99	07.51 30 99	190 x 90 x SL	160 x 76 x SL
NoVo-Tronic 200-220	07.50 40 10	07.51 40 10	233 x 121 x 240	200 x 105 x 220
NoVo-Tronic 200-280	07.50 40 11	07.51 40 11	233 x 121 x 300	200 x 105 x 280
NoVo-Tronic 200-330	07.50 40 12	07.51 40 12	233 x 121 x 350	200 x 105 x 330
NoVo-Tronic 200-SL	07.50 40 99	07.51 40 99	233 x 121 x SL	200 x 105 x SL

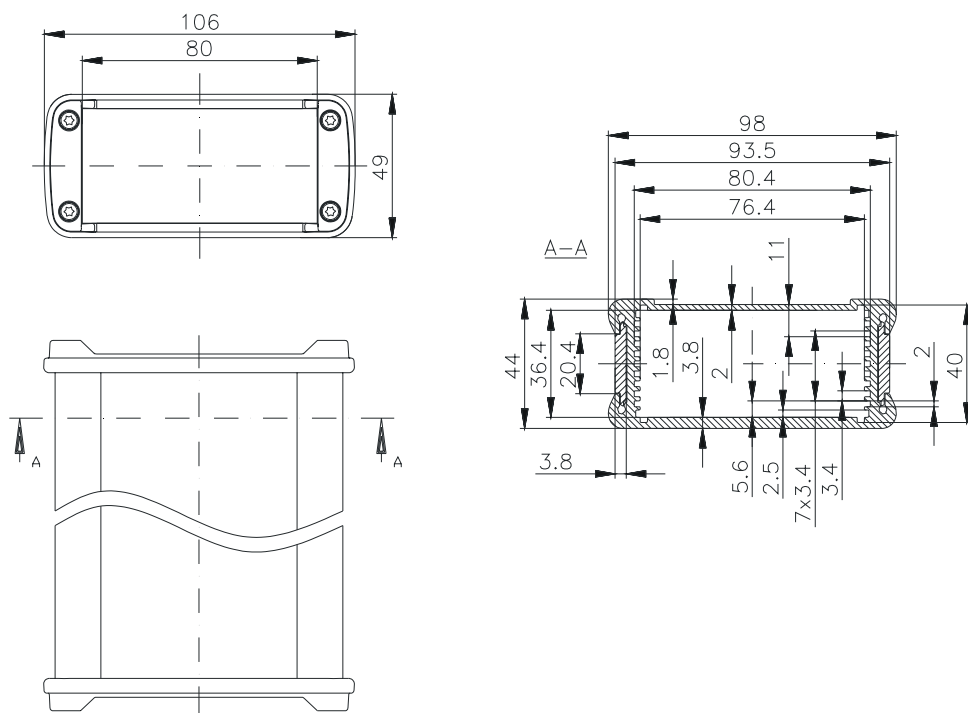
SL* = special length

Accessories

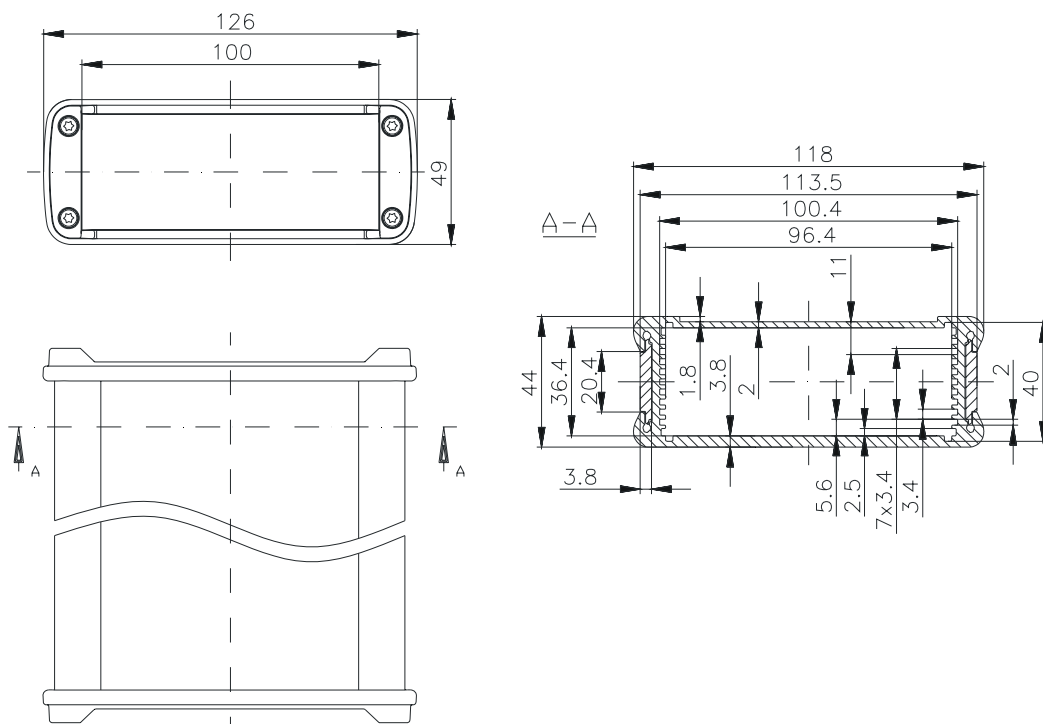
	Order No.	NoVoTronic 80	NoVoTronic 100	NoVoTronic 130	NoVoTronic 160	NoVoTronic 200
Wall profile 80/100-100	07.50 90 11	X	X			
Wall profile 80/100-160	07.50 90 12	X	X			
Wall profile 80/100-200	07.50 90 13	X	X			
Wall profile 80/100-SL*	07.50 90 99	X	X			
Wall profile 130/160-130	07.50 91 11			X	X	
Wall profile 130/160-160	07.50 91 12			X	X	
Wall profile 130/160-200	07.50 91 13			X	X	
Wall profile 130/160-300	07.50 91 14			X	X	
Wall profile 130/160-SL*	07.50 91 99			X	X	
Lid wall holder 80/100	07.50 90 02	X	X			
NoVo wall holder P80	07.50 90 03	X				
NoVo wall holder P100	07.50 90 04		X			
NoVo wall holder P130	07.50 90 15			X (on request)		
NoVo wall holder P160	07.50 90 05				X	
Foot / connection element 80	07.50 90 06	X				
Foot / connection element 100	07.50 90 07		X			
Foot / connection element 130	07.50 90 14			X (on request)		
Foot / connection element 160	07.50 90 08				X	
Battery insert 9V Block	83.90 00 03	X	X	X	X	X
Battery insert 4xAA	83.90 00 06	X	X	X	X	X
NoVoTronic PCB profile 200-220	07.50 92 11					X
NoVoTronic PCB profile 200-280	07.50 92 12					X
NoVoTronic PCB profile 200-330	07.50 92 13					X
NoVoTronic PCB profile 200-SL*	07.52 92 99					X
NoVoTronic PCB profile 80/100	07.50 92 14	X (on request)	X (on request)			
Transparent cover 160	07.50 90 10				X	

Dimensions

NoVoTronic 80

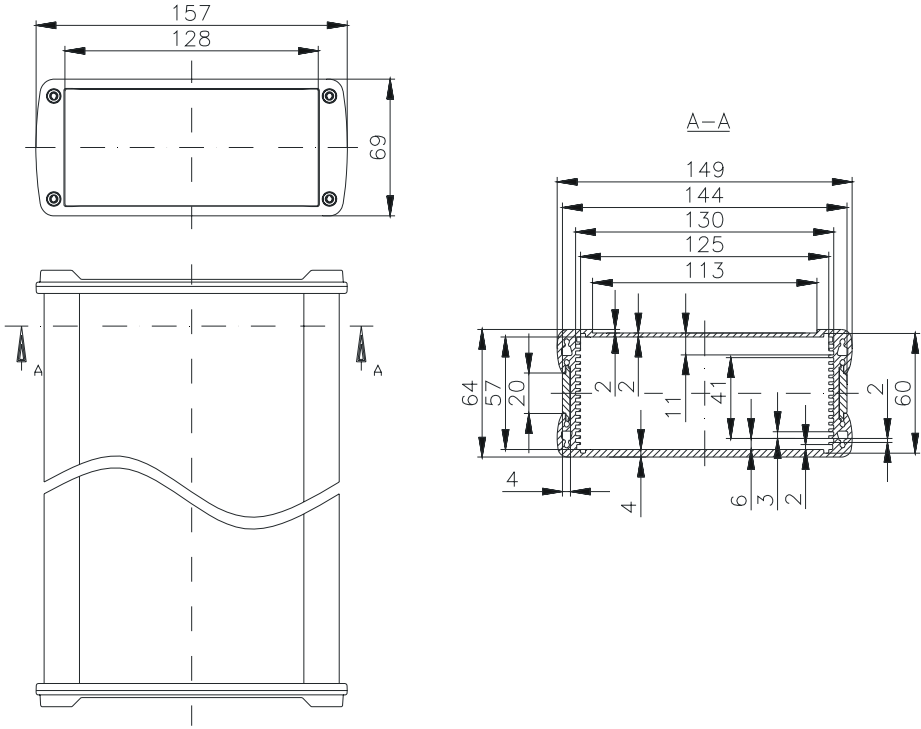


NoVoTronic 100

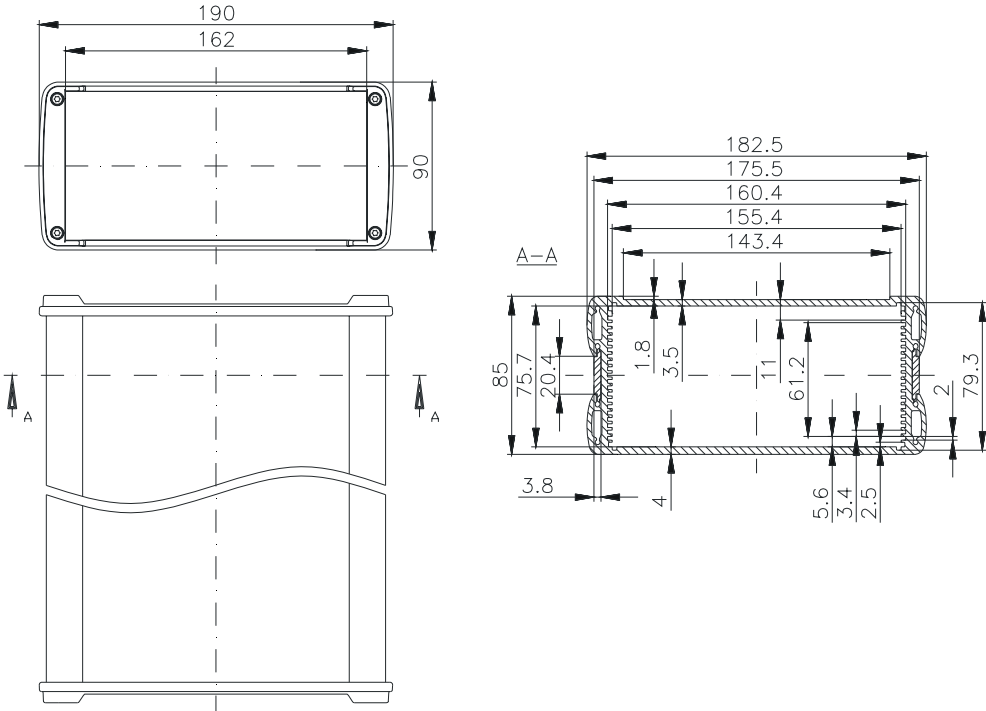


Dimensions

NoVoTronic 160

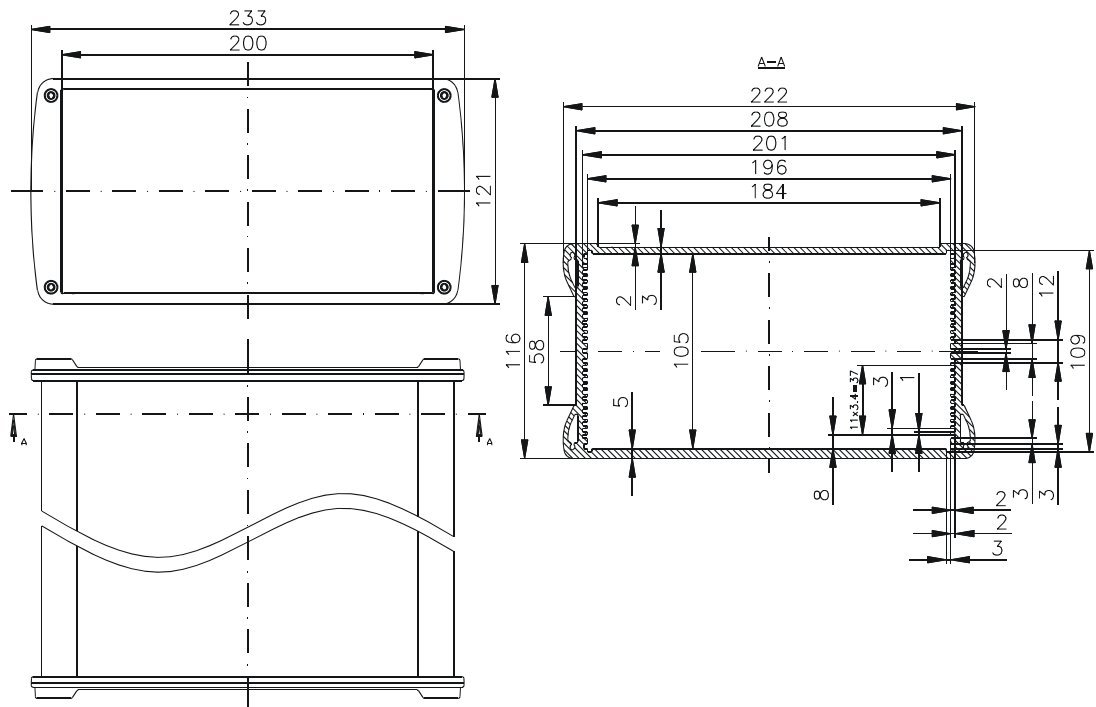


NoVoTronic 160



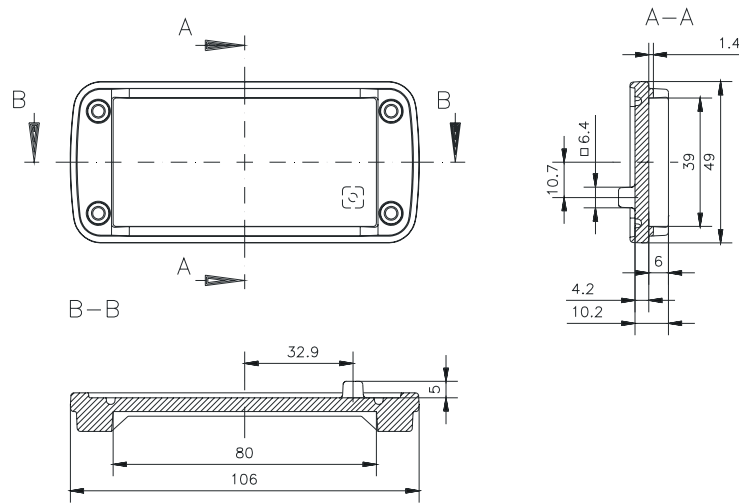
Abmessungen

NoVoTronic 200

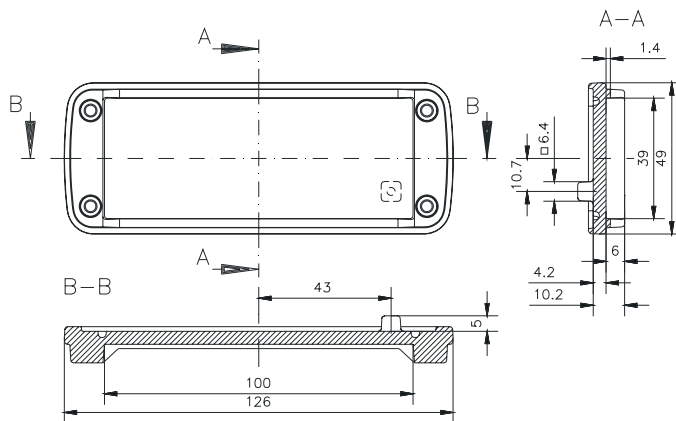


Usable lid area

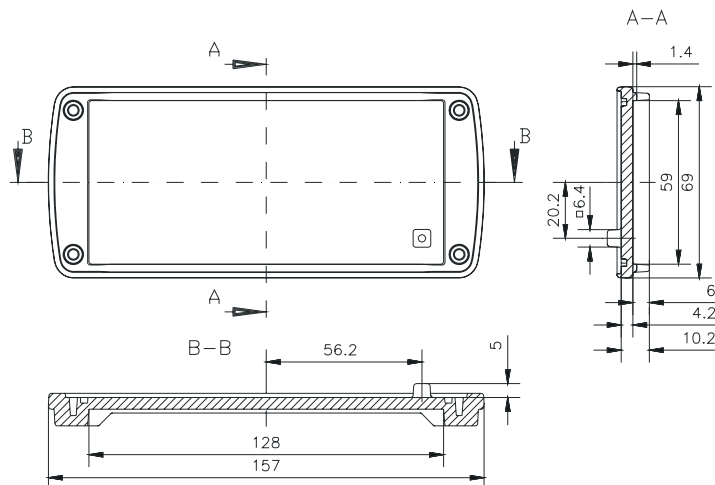
NoVoTronic 80



NoVoTronic 100

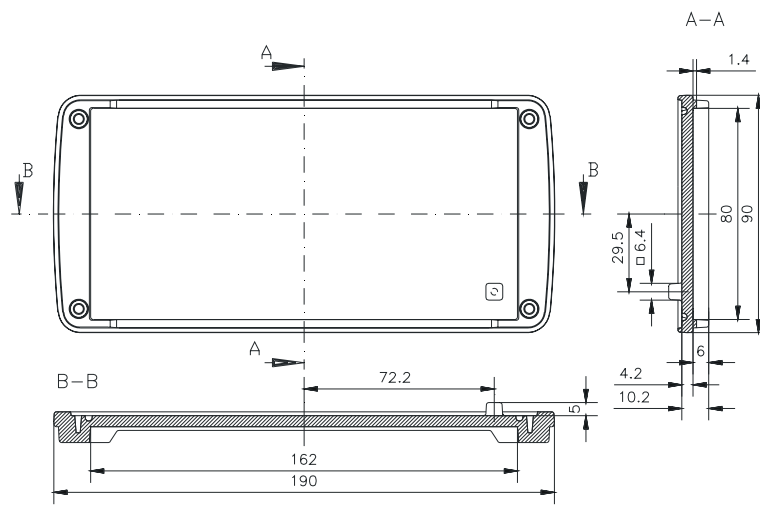


NoVoTronic 130

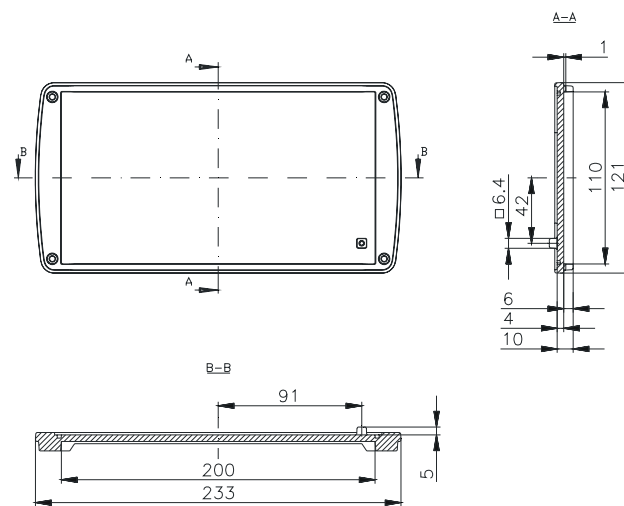


Usable lid area

NoVoTronic 160



NoVoTronic 200



Accessories



Transparent cover 160
for protection of electro-mechanical components in enclosure lid

Order No. **07.50 90 10**



Wall profile (2 pieces)
to insert in system groove for wall fixing

Order No. see page 3



Lid wall holder 80/100 (2 pieces)
to screw onto lid for swiveling wall fixing

Order No. **07.50 90 02**



NoVo wall holder
for wall fixing and connection to command systems

Order No.	for type
07.50 90 03	NoVoTronic 80
07.50 90 04	NoVoTronic 100
07.50 90 05	NoVoTronic 160
07.50 90 15	NoVoTronic 130



Foot / connection element (1 piece)
for towering or mechanical connection of enclosures

Order No.	for type
07.50 90 06	NoVoTronic 80
07.50 90 07	NoVoTronic 100
07.50 90 08	NoVoTronic 160
07.50 90 14	NoVoTronic 130



PCB profile for NoVoTronic 200

Order No.	for type
07.50 92 11	PCB profile 200-220
07.50 92 12	PCB profile 200-280
07.50 92 13	PCB profile 200-330
07.50 92 99	PCB profile SL



Battery insert

Order No.	
83.90 00 03	for 9V Block
83.90 00 06	for 4 x AA

ROSE Systemtechnik GmbH
Erbeweg 13 - 15
D-32457 Porta Westfalica
Postfach 1362
D-32439 Porta Westfalica

Fon +49 571 5041-0
Fax +49 571 5041-159
eMail rose@rose-pw.de
Web www.rose-pw.de



A Phoenix Mecano Company