



Gost  
Russia



Gost  
Kazakhstan



Further international Ex-Approvals on request

## Technical Data

### Explosion protection:

Ex II 2 G / 2 D

EEx e II T6 (increased safety)

EEx ia IIC T6 (intrinsic safety)

EEx e(ia) IIC T6 (mixed fitting)

Temperature class T5 on request

### Certificates:

Empty enclosure: PTB 01 ATEX 1061U

Terminal enclosure: PTB 00 ATEX 1002

### Material:

Glassfibre-reinforced duroplastic polyester,  
graphite added

### Colour:

Similar to RAL 9011, black

### Ingress protection:

IP 66, EN 60529

### Impact resistance:

>7 Joule, EN 50014

### Flammability:

Self-extinguishing, UL 94/V0

### Surface resistance:

<10<sup>9</sup> Ohm, EN 50014 / IEC 60079-0

### Water absorption:

Max. 0.7 %, ASTM D570

### Toxicity:

Halogenfree

### Weather resistance:

UV-stabilized

### Temperature range of application acc. EN:

-20° to +40°C

(corresponds T6 = 85°C surface temperature)

-20° to +55°C

(corresponds T5 = 100°C surface temperature)

-55°C with special marking on request

- Empty enclosure with certification for individual fittings
- Terminal enclosure for intrinsically safeguards and increased safety
- Robust polyester version
- Optional: Lid with window

## Including in delivery

Empty enclosure:  
Enclosure with silicone seal

Terminal enclosure:  
Enclosure system - depending on version  
either with silicone seal, continuity plate,  
DIN rails, internal earthing connection,  
terminals, manufacturing, cable glands

# Okta Box Ex

## Programme range

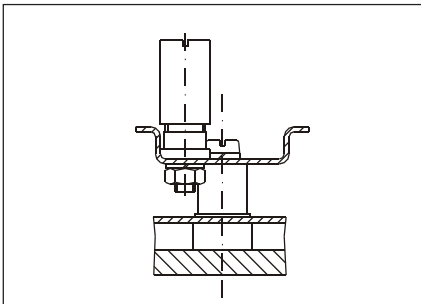
Type			Dimensions
Ex e	Ex ia	empty enclosure	W x L x H (mm)
<b>06.88 01 00</b>	<b>16.88 01 00</b>	<b>26.88 01 00</b>	80 x 80 x 75.5
<b>06.88 02 00</b>	<b>16.88 02 00</b>	<b>26.88 02 00</b>	120 x 120 x 75.5
<b>06.88 03 00</b>	<b>16.88 03 00</b>	<b>26.88 03 00</b>	160 x 160 x 93

## Accessories

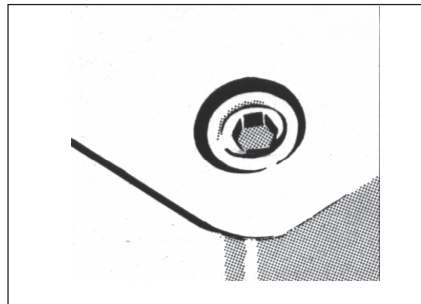
Type	DIN rail*		Sheath clamp terminal	PE busbar	Allen lid screws	Sealable lid screws	Continuity plate
	TS 15	TS35					
<b>06/16/26.88 01 00</b>			•		•		•
<b>06/16/26.88 02 00</b>	•		•		•	•	•
<b>06/16/26.88 03 00</b>	•	•		•	•	•	•

\* TS 32 on request

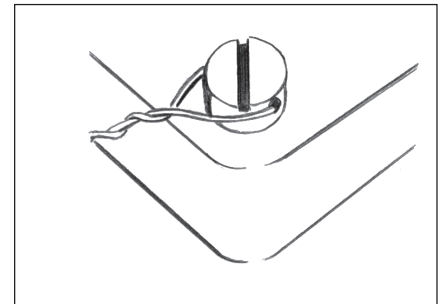
## Accessories



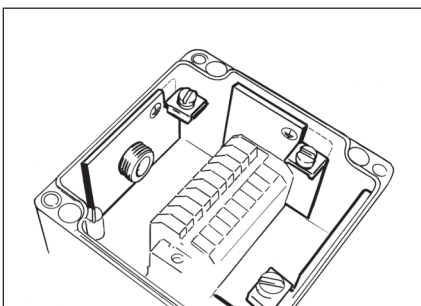
PE connection on DIN rail



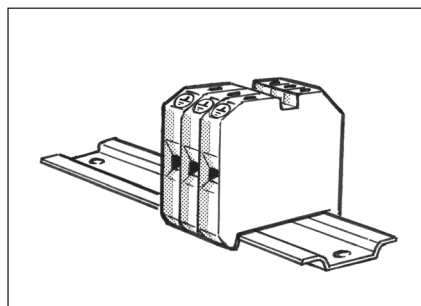
Allen lid screw in stainless steel



Sealable lid screw, corrosion-proof



Continuity plate standard brass



PE terminal blocks



Terminals, cable entries



Type: **E Ex e 06.88 01 00**

**E Ex ia 16.88 01 00**

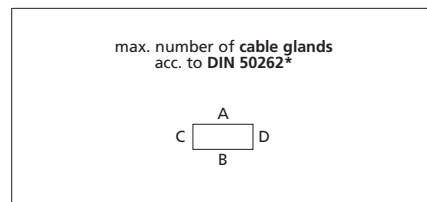
Ex empty enclosure **26.88 01 00**

Certification **ATEX**

External dimensions **80 x 80 x 75,5 mm**

Weight **320 g**

DIN rail length in mm	max. fitting length in mm	PE bar max. number	PE busbar max. number	Sheath clamp terminal	Allen lid screws	Sealable lid screws	External mounting brackets	External hinges pair	Continuity plate	Silicone lid
TS 15										
68				•	•				•	•



Diameter of connection (mm²)	1,5	2,5	4	6	10	16	25	35	50	70	95
max. number of terminals**	10	8									
max. number of DIN rails	1	1									
Number of internal cables in dependence to current/A	6										
	10	32									
	16	11	21								
	20	4	12								
	25		5								
	35										
	50										
	63										
	80										
	100										
	125										
	160										
	200										
	225										
	250										
	315										
400											
500											

M	Cross-corner dim.	Side		PG	Cross-corner dim.	Side	
		A/B	C/D			A/B	C/D
12	17,25	3	3	7	17,25	3	3
16	25,30	1	1	9	21,85	2	2
20	27,60	1	1	11	25,30	1	1
25	37,95			13,5	27,60	1	1
32	48,30			16	31,05	1	1
40	60,95			21	37,95		
50	69,00			29	48,30		
63	74,75			36	60,95		
				42	69,00		
				48	74,75		

Number of internal cables/2 = number of terminals

\* not for armoured cables

\*\* Base: Terminal block Phoenix Contact, further see page 75

Type: **E Ex e 06.88 02 00**

**E Ex ia 16.88 02 00**

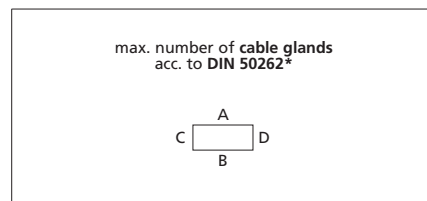
Ex empty enclosure **26.88 02 00**

Certification **ATEX**

External dimensions **120 x 120 x 75,5 mm**

Weight **500 g**

DIN rail length in mm	max. fitting length in mm	PE bar max. number	PE busbar max. number	Sheath clamp terminal	Allen lid screws	Sealable lid screws	External mounting brackets	External hinges pair	Continuity plate	Silicone lid
TS 15/35										
101	72			•	•				•	•



Diameter of connection (mm²)	1,5	2,5	4	6	10	16	25	35	50	70	95
max. number of terminals**	14	12	11	8	7						
max. number of DIN rails	1	1	1	1	1						
Number of internal cables in dependence to current/A	6										
	10	36									
	16	12	24	93							
	20	5	14	27							
	25		6	15							
	35			4	16	16					
	50										
	63										
	80										
	100										
	125										
	160										
	200										
	225										
	250										
	315										
400											
500											

M	Cross-corner dim.	Side		PG	Cross-corner dim.	Side	
		A/B	C/D			A/B	C/D
12	17,25	8	8	7	17,25	8	8
16	25,30	3	3	9	21,85	5	5
20	27,60	2	2	11	25,30	3	3
25	37,95	1	1	13,5	27,60	2	2
32	48,30			16	31,05	2	2
40	60,95			21	37,95	1	1
50	69,00			29	48,30		
63	74,75			36	60,95		
				42	69,00		
				48	74,75		

Number of internal cables/2 = number of terminals

\* not for armoured cables

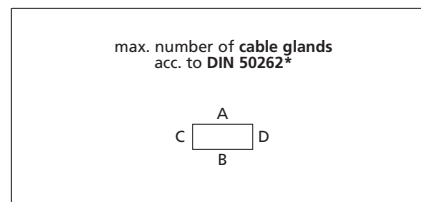
\*\* Base: Terminal block Phoenix Contact, further see page 75

Certification **ATEX**

External dimensions **160 x 160 x 93 mm**

Weight **320 g**

DIN rail length in mm	max. fitting length in mm	PE bar max. number	PE busbar max. number	Sheath clamp terminal	Allen lid screws	Sealable lid screws	External mounting brackets	External hinges pair	Continuity plate	Silicone lid
TS 15/35										
141	107,5			•	•				•	•



Diameter of connection (mm²)	1,5	2,5	4	6	10	16	25	35	50	70	95
max. number of terminals**	24	20	16	12	10	8					
max. number of DIN rails	1	1	1	1	1	1					
Number of internal cables in dependence to current/A	6										
	10	47									
	16	16	31	121							
	20	6	18	35							
	25		8	20	38						
	35			5	15	37					
	50					12					
	63					4					
	80						16				
	100										
	125										
	160										
	200										
	225										
	250										
315											
400											
500											

M	Cross-corner dim.	Side		PG	Cross-corner dim.	Side	
		A/B	C/D			A/B	C/D
12	17,25	15	15	7	17,25	15	15
16	25,30	8	8	9	21,85	9	9
20	27,60	5	5	11	25,30	8	8
25	37,95	2	2	13,5	27,60	5	5
32	48,30	2	2	16	31,05	4	4
40	60,95			21	37,95	2	2
50	69,00			29	48,30	2	2
63	74,75			36	60,95		
				42	69,00		
				48	74,75		

Number or internal cables/2 = number of terminals  
 \* not for armoured cables  
 \*\* Base: Terminal block Phoenix Contact, further see page 75

# Okta Box Ex

## Dimensions

