



- Hand held enclosure for MCR and automation engineering
- Robust design (Polyamide or Polyester)
- Version with handle and integrated cable entry (Pilot 10, 20 standard)

Included in delivery

Pilot 10/20: enclosure with handle, including cable gland M 20 x 1,5, front panel with fastening screw and wall holder

Pilot 30: two-part Polyester enclosure with self-adhesive aluminium front panel, enclosure screws and wall holder

Technical data

Material:

Pilot 10 and Pilot 20: Polyamide

Pilot 30: Polyester

Ingress protection:

Pilot 10 and Pilot 20: IP 65 to EN 60529

Pilot 30: IP 66 to EN 60529

Impact resistance:

> 7 Joule to DIN 50014

Temperature range:

Pilot 10 and Pilot 20: -40°C to +60°C

Pilot 30: -25°C to +90°C

Colour:

yellow, similar to RAL 1021

Pilot 10/20/30

Programme range

Enclosure type	Order No.	Encl. dimensions incl. handle W x L x H (mm)	Front panel dimensions W x H (mm)	Mounting depth (mm)
Pilot 10	29.40 02 00	70 x 93 x 190	61 x 59	67
Pilot 20	29.30 01 00	115 x 93 x 200	106 x 69	67
Pilot 30	29.50 01 00	164 x 116 x 295	70 x 280	71

Accessories

Mounting plate Pilot 20	29.31 00 00
Wall holder (2 pcs with screws)	29.60 01 00
Cable gland M 25 x 1,5	08.10 01 25
Push button and switches see page 55 - 60	on request



Electromechanical components

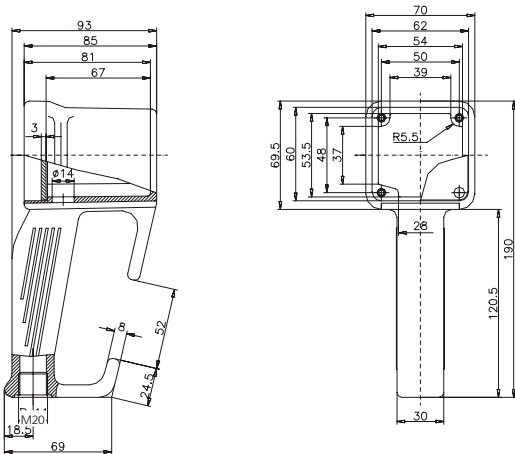
On request, we can supply equipment fitted with electro-mechanical components such as emergency stop button, acknowledge keys, hand wheel, switches, display

Dimensions

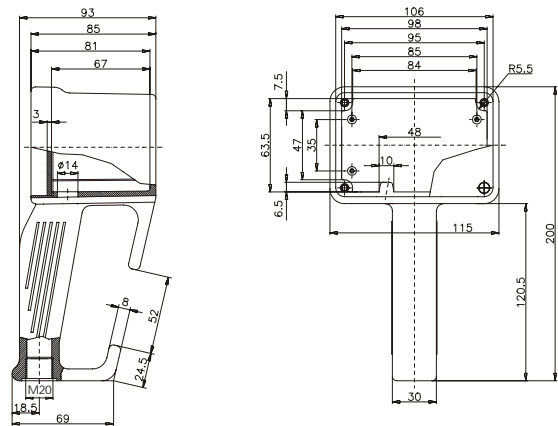


Type	Order No.	Weight (kg)
Pilot 10	29.40 02 00	0,270
Pilot 20	29.30 01 00	0,320

Pilot 10



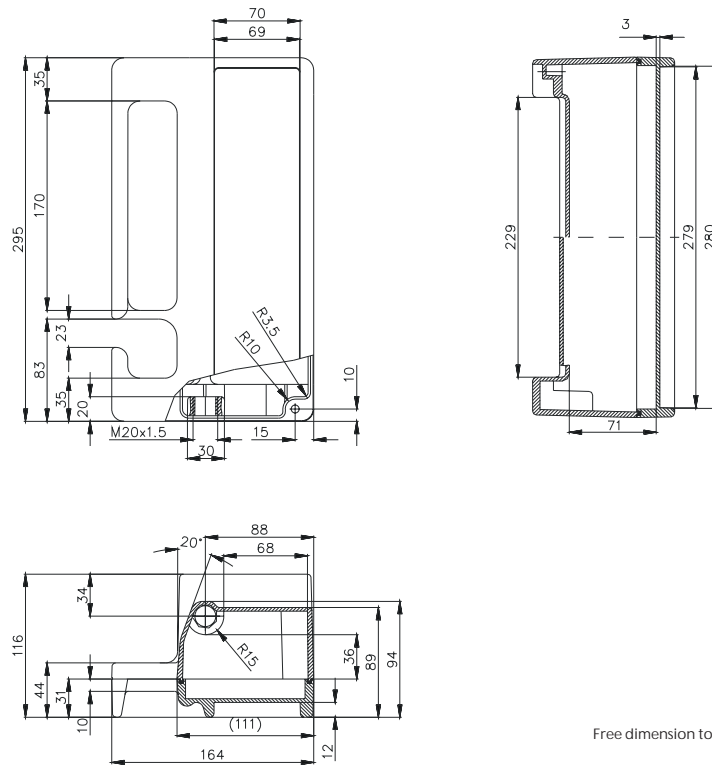
Pilot 20



Free dimension tolerance to DIN 16901 - 140



Type	Order No.	Weight (kg)
Pilot 30	29.50 01 00	1,6

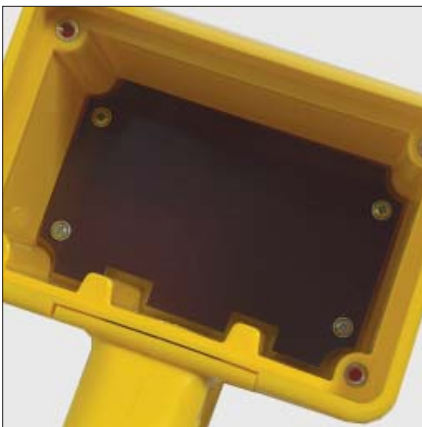
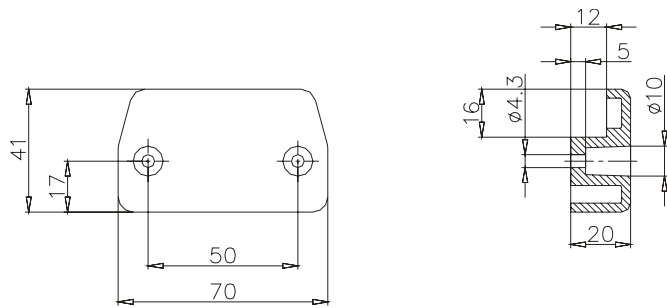


Free dimension tolerance to DIN 16901 - 140

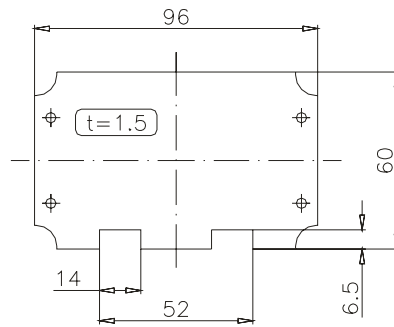
Accessories



Wall holder
Set complete with 2 fittings and screws
Order No. 29.60.01.00



Mounting plate Pilot 20
Order No. 29.31.00.00



One and two button enclosures Pilot 10 / Pilot 20



Integrated handles on Pilot 10 and Pilot 20



Multi button enclosure Pilot 30