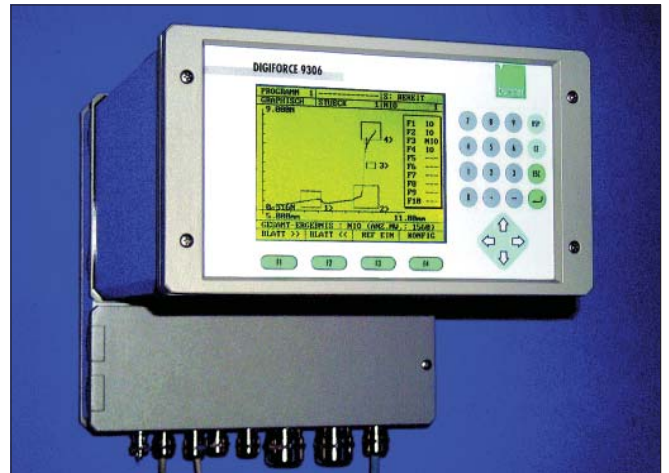


# Applications Profitronic 19 / Profitronic 19U





- Enclosure in variable length version using profile technology
- Standard construction or version with connection compartment
- Optional Polycarbonate transparent cover
- Profitronic 19: integrated 19" components (height 3HU): 19, 28, 42HP
- Profitronic 19 U: for chassis fittings in 3 sizes

### Included in delivery

Enclosure system - depending on version either with cast aluminium lids, connection compartment or transparent cover, fixing elements please order separately

### Technical data

#### Material:

Enclosure body: AlMgSi 0,5; DIN 1725

Connection compartment: AlSi 12

#### Ingress protection:

IP 65 to EN 60529

#### Colour:

Enclosure body and connection compartment:

Light grey, RAL 7035

Enclosure lid and external bracket:

stone grey, RAL 7030

#### Surface resistance:

Powder coating

#### Temperature range:

Lid seals: -40°C to +100°C

Transparent cover: -40°C to +70°C

#### Opening angle:

Connection compartment and transparent cover  
110°

# Profitronic 19 / Profitronic 19 universal

## Profitronic 19

### Programme range

Enclosure type	19" mounting frame	19" mounting frame with transparent cover	Front plate lid	Front lid	Front plate lid and transparent cover	Dimensions* W x L x H (mm)
Enclosure with connection compartment standard (63,5 mm)						
19HP	07.19 11 00	07.19 21 00	07.19 31 00	07.19 33 00**	07.19 23 00	148 x 236 x 241
28HP	07.28 11 00	07.28 21 00	07.28 31 00	07.28 33 00**	07.28 23 00	191 x 236 x 241
42HP	07.42 11 00	07.42 21 00	07.42 31 00	07.42 33 00**	07.42 23 00	265 x 236 x 241
Enclosure with connection compartment deep (103,5 mm)						
19HP	07.19 11 01	07.19 21 01	07.19 31 01	07.19 33 01**	07.19 23 01	148 x 276 x 241
28HP	07.28 11 01	07.28 21 01	07.28 31 01	07.28 33 01**	07.28 23 01	191 x 276 x 241
42HP	07.42 11 01	07.42 21 01	07.42 31 01	07.42 33 01**	07.42 23 01	265 x 276 x 241
Enclosure without connection compartment						
19HP	07.19 12 00	07.19 22 00	07.19 32 00	-	-	148 x 235 x 149
28HP	07.28 12 00	07.28 22 00	07.28 32 00	-	-	191 x 235 x 149
42HP	07.42 12 00	07.42 22 00	07.42 32 00	-	-	265 x 235 x 149

\* Length without lid

\*\* Enclosure length is equal to connection compartment depth

## Profitronic 19U

### Programme range

Enclosure type	19" mounting frame with transparent cover	Dimensions W x L x H (mm)	Front plate lid	Dimensions W x L x H (mm)
Enclosure with connection compartment (63,5 mm)				
19HP	07.19 21 11	148 x 285 x 241	07.19 31 11	148 x 280 x 241
28HP	07.28 21 11	191 x 285 x 241	07.28 31 11	191 x 280 x 241
42HP	07.42 21 11	265 x 285 x 241	07.42 31 11	265 x 280 x 241
Enclosure without connection compartment				
19HP	07.19 22 11	148 x 263,5 x 149	07.19 32 11	148 x 258,5 x 149
28HP	07.28 22 11	191 x 263,5 x 149	07.28 32 11	191 x 258,5 x 149
42HP	07.42 22 11	265 x 263,5 x 149	07.42 32 11	265 x 258,5 x 149

## Accessories

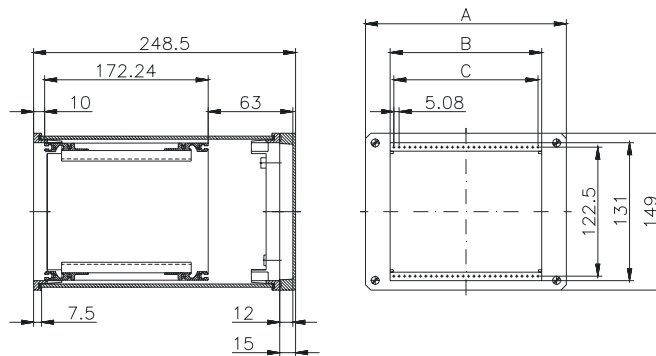
			19	19U
External fixings for enclosure with connection compartment (set 2 pcs.)		07.00 01 00	•	•
External fixings for enclosure without connection compartment (set 2 pcs.)		07.00 02 00	•	•
Special lock with socket wrench for connection compartment (mounted)		07.00 00 17	•	•
Turning handle for transparent cover (mounted)		07.00 00 18	•	•
Cylinder lock for transparent cover (mounted)		07.00 00 19	•	•
Board guides for PCB's, fixed (set 10 pcs.)		07.00 00 10		
Board guides for PCB's, variable (set 10 pcs.)		07.00 00 11		
Insulating strip to fix bus boards (set 2 pcs.)	Type	07.19 07.19 00 20	•	
		07.28 07.28 00 20	•	
		07.42 07.42 00 20	•	
Aluminium profile (Z-rails) to fix connector bars (set 2 pcs.)	Type	07.19 07.19 00 10	•	
		07.28 07.28 00 10	•	
		07.42 07.42 00 10	•	
Mounting plate for connection compartment	Type	07.19 07.19 00 30	•	•
		07.28 07.28 00 30	•	•
		07.42 07.42 00 30	•	•
Self adhesive table feet (4 pcs.), black		10.07 00 19	•	•
Mounting feet (2 pcs.), grey		07.70 00 81		

Dimensions Profitronic 19



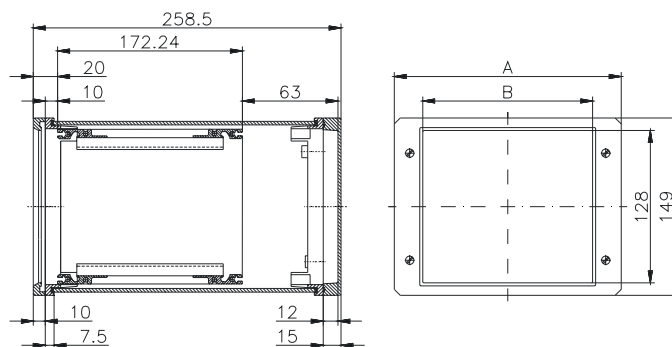
Enclosure without connection compartment with 19" mounting frame

Type	Order No.	Weight (kg)	Dimensions		
			A	B	C
19HP	<b>07.19 12 00</b>	1,4	148	98	18 x 5,08 = 91,44
28HP	<b>07.28 12 00</b>	2,0	191	144	27 x 5,08 = 137,16
42HP	<b>07.42 12 00</b>	3,0	265	215	41 x 5,08 = 208,28



Enclosure without connection compartment with front plate lid

Type	Order No.	Weight (kg)	Dimensions	
			A	B
19HP	<b>07.19 32 00</b>	1,7	148	100
28HP	<b>07.28 32 00</b>	2,5	191	143
42HP	<b>07.42 32 00</b>	3,6	265	217



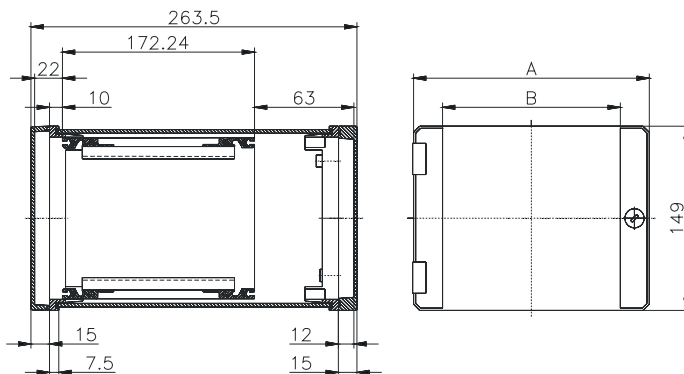
# Profitronic 19 / Profitronic 19 universal

## Dimensions Profitronic 19



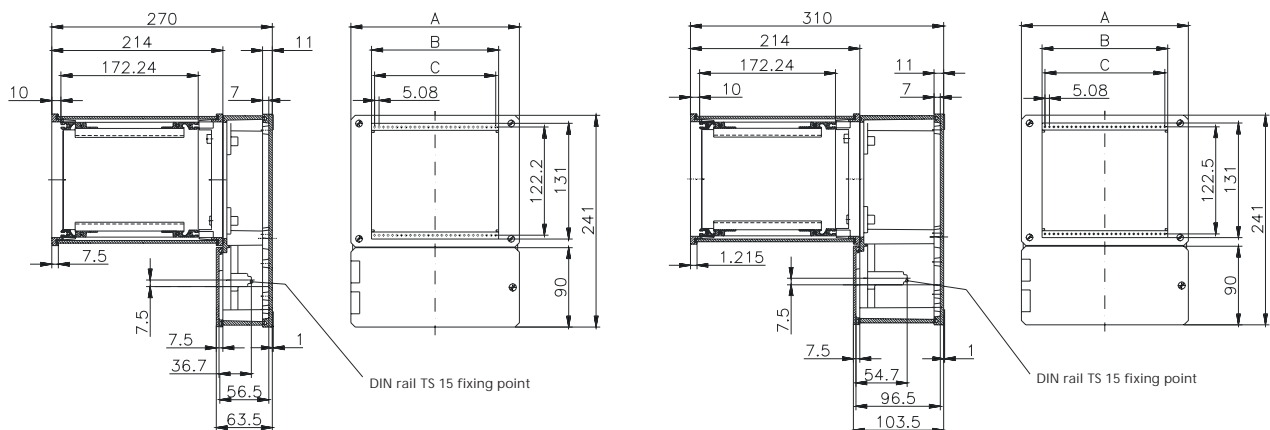
Enclosure without connection compartment with 19" mounting frame and transparent cover

Type	Order No.	Weight (kg)	Dimensions	
			A	B
19HP	07.19 22 00	1,5	148	101
28HP	07.28 22 00	2,2	191	144
42HP	07.42 22 00	3,3	265	218



Enclosure with connection compartment with 19" mounting frame

Type	Order No.	Weight (kg)	Dimensions		
			A	B	C
Connector compartment standard					
19HP	07.19 11 00	2,2	148	98	18 x 5,08 = 91,44
28HP	07.28 11 00	3,3	191	144	27 x 5,08 = 137,16
42HP	07.42 11 00	5,0	265	215	41 x 5,08 = 208,28
Connector compartment deep					
19HP	07.19 11 01	3,0	148	98	18 x 5,08 = 91,44
28HP	07.28 11 01	4,0	191	144	27 x 5,08 = 137,16
42HP	07.42 11 01	6,0	265	215	41 x 5,08 = 208,28

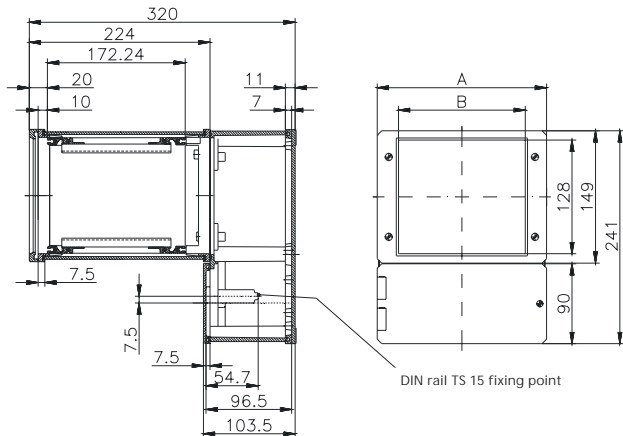
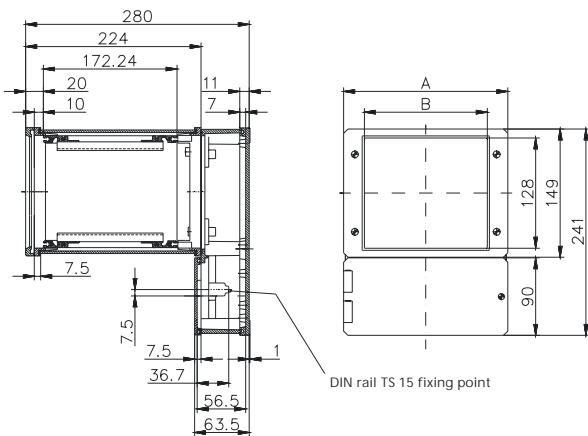


## Dimensions Profitronic 19



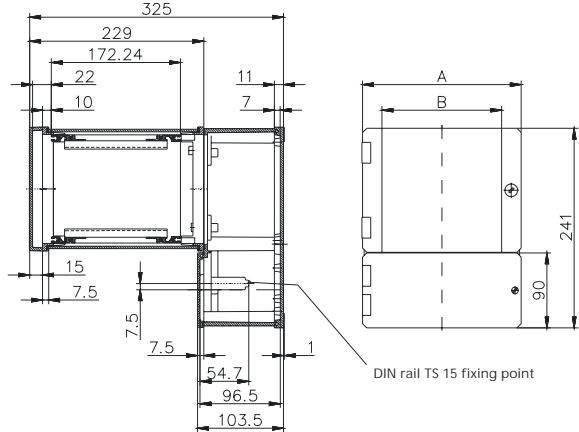
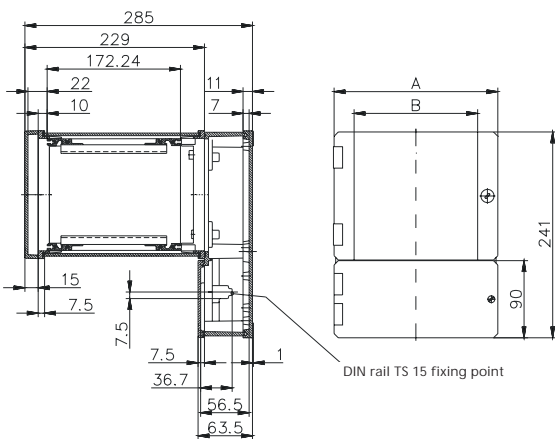
Enclosure with connection compartment with front plate lid

Type	Order No.	Weight (kg)	Dimensions	
			A	B
Connection compartment standard				
19HP	<b>07.19 31 00</b>	2,5	148	100
28HP	<b>07.28 31 00</b>	3,8	191	143
42HP	<b>07.42 31 00</b>	5,6	265	217
Connection compartment deep				
19HP	<b>07.19 31 01</b>	3,2	148	100
28HP	<b>07.28 31 01</b>	4,2	191	143
42HP	<b>07.42 31 01</b>	6,2	265	217



Enclosure with connection compartment with 19" mounting frame and transparent cover

Type	Order No.	Weight (kg)	Dimensions	
			A	B
Connection compartment standard				
19HP	<b>07.19 21 00</b>	2,4	148	101
28HP	<b>07.28 21 00</b>	3,5	191	144
42HP	<b>07.42 21 00</b>	5,3	265	218
Connection compartment deep				
19HP	<b>07.19 21 01</b>	3,2	148	101
28HP	<b>07.28 21 01</b>	4,2	191	144
42HP	<b>07.42 21 01</b>	6,2	265	218



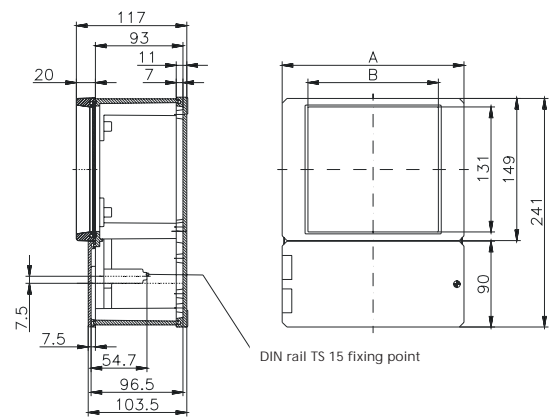
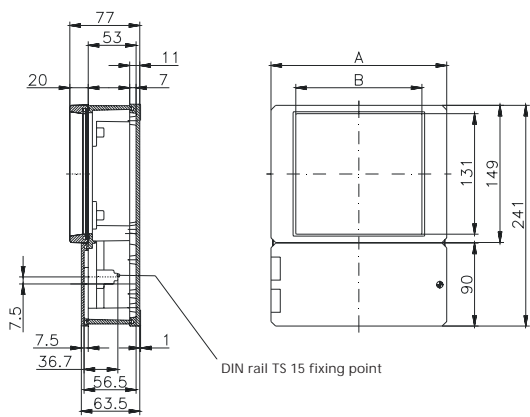
# Profitronic 19 / Profitronic 19 universal

## Dimensions Profitronic 19



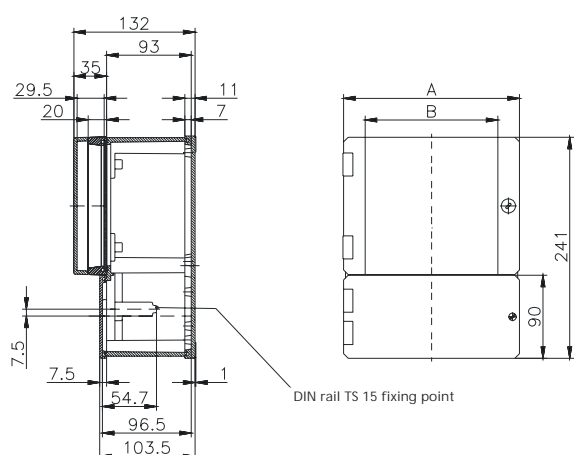
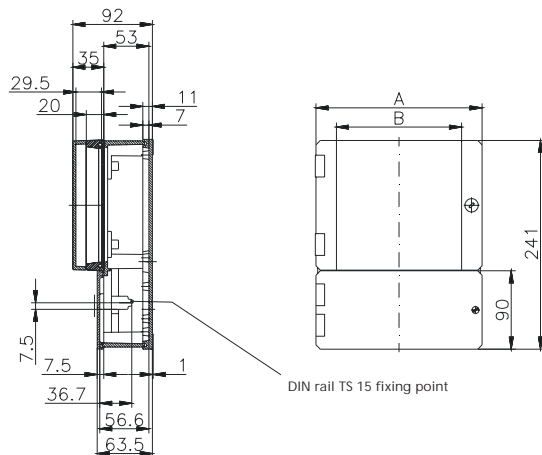
Connection compartment with front lid

Type	Order No.	Weight (kg)	Dimensions	
			A	B
Connection compartment standard				
19HP	<b>07.19 33 00</b>	1,75	148	94
28HP	<b>07.28 33 00</b>	2,0	191	137
42HP	<b>07.42 33 00</b>	2,45	265	211
Connection compartment deep				
19HP	<b>07.19 33 01</b>	2,3	148	94
28HP	<b>07.28 33 01</b>	2,6	191	137
42HP	<b>07.42 33 01</b>	3,25	265	211



connection compartment with front plate lid and transparent cover

Type	Order No.	Weight (kg)	Dimensions	
			A	B
Connection compartment standard				
19HP	<b>07.19 23 00</b>	1,9	148	101
28HP	<b>07.28 23 00</b>	2,15	191	144
42HP	<b>07.42 23 00</b>	2,6	265	218
Connection compartment deep				
19HP	<b>07.19 23 01</b>	2,45	148	101
28HP	<b>07.28 23 01</b>	2,75	191	144
42HP	<b>07.42 23 01</b>	3,45	265	218

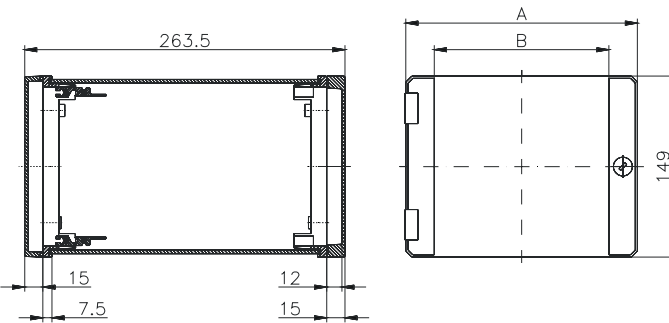


Dimensions Profitronic 19U



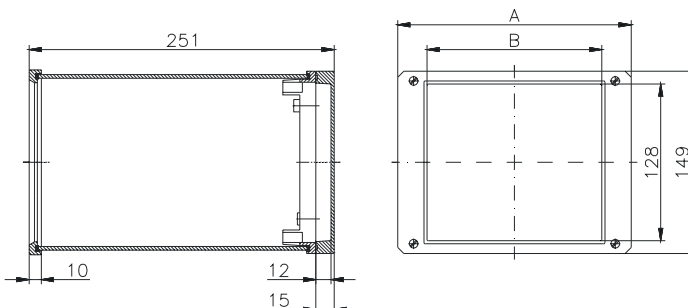
Enclosure without connection compartment / mounting frame and transparent cover

Width (type)	Order No.	Weight (kg)	Dimensions	
			A	B
96,5 (19HP)	<b>07.19 22 11</b>	1,5	148	101
142,2 (28HP)	<b>07.28 22 11</b>	2,2	191	144
213,3 (42HP)	<b>07.42 22 11</b>	3,3	265	218



Enclosure without connection compartment / front plate lid

Width (type)	Order No.	Weight (kg)	Dimensions	
			A	B
96,5 (19HP)	<b>07.19 32 11</b>	1,7	148	100
142,2 (28HP)	<b>07.28 32 11</b>	2,5	191	143
213,3 (42HP)	<b>07.42 32 11</b>	3,6	265	217





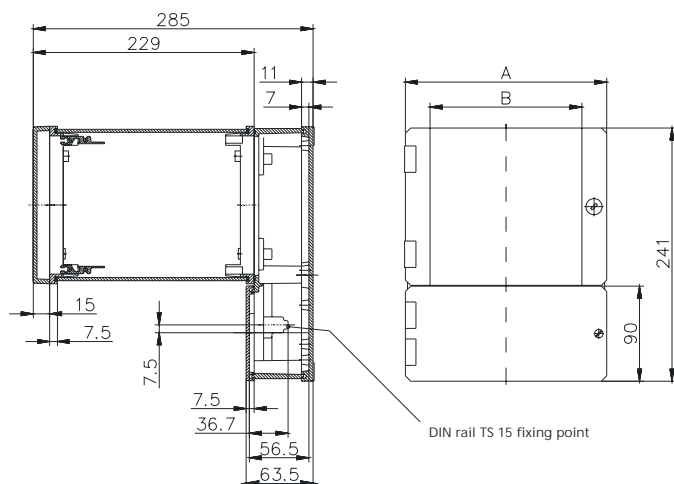
# Profitronic 19 / Profitronic 19 universal

## Dimensions Profitronic 19U



Enclosure with connection compartment / mounting frame with transparent cover

Width (type)	Order No.	Weight (kg)	Dimensions	
			A	B
96,5 (19HP)	<b>07.19 21 11</b>	2,2	148	98
142,2 (28HP)	<b>07.28 21 11</b>	3,3	191	144
213,3 (42HP)	<b>07.42 21 11</b>	5,0	265	215



Enclosure with connection compartment / front plate lid

Width (type)	Order No.	Weight (kg)	Dimensions	
			A	B
96,5 (19HP)	<b>07.19 31 11</b>	2,5	148	100
142,2 (28HP)	<b>07.28 31 11</b>	3,8	191	143
213,3 (42HP)	<b>07.42 31 11</b>	5,6	265	217

