

Gost
Russia



Gost
Kazakhstan



Further international
Ex-Approvals on request

Technical Data

Explosion protection:

II 2 G / 2 D

EEx e II T6 (increased safety)

EEx ia IIC T6 (intrinsic safety)

EEx e(ia) IIC T6 (mixed fitting)

Temperature classes T5 and T4 on request

Certificates:

Empty enclosure with hinged lid:

PTB 00 ATEX 1101U

Terminal enclosure: PTB 00 ATEX 1052

Material:

Stainless steel 1.25 mm or 1.5 mm, 1.4301 / 304
1.4404/316L on request

Surface:

Grinded, grain 240

Ingress protection:

IP 66, EN 60529

Impact resistance:

>7 Joule, EN 50014

Temperature range of application acc. EN:

-20° to +40°C

(corresponds T6 = 85°C surface temperature)

-20° to +55°C

(corresponds T5 = 100°C surface temperature)

-20° to +95°C

(corresponds T4 = 135°C surface temperature)

-55°C with special marking on request

- Empty enclosure with hinged lid with certification for individual fittings
- Stainless steel cabinets fitted with terminals for individual fittings with partial certification
- Stainless steel enclosure with covered hinges and double ward lock
- Optional flange cut out
- Special size on request
- Optional: Lid with window

Included in delivery

Empty enclosure:

Enclosure with hinged lid, double ward lock, silicone/PUR seal and external earth connection

Terminal enclosure:

Depending on version either with hinged lid, double ward lock, silicone/PUR seal, external earth connection, DIN rails, internal earthing connection, terminals, manufacturing, cable glands

Stainless steel IGS-Ex

Programme range

Ex e	Ex ia	empty cabinets	dimensions W x L x H
35.00 22 09	36.00 22 09	34.00 22 09	200 x 250 x 97 mm
35.00 22 15	36.00 22 15	34.00 22 15	200 x 250 x 157 mm
35.00 33 16	36.00 33 16	34.00 33 16	300 x 300 x 167 mm
35.00 32 09	36.00 32 09	34.00 32 09	350 x 250 x 97 mm
35.00 44 16	36.00 44 16	34.00 44 16	380 x 380 x 167 mm
35.00 44 21	36.00 44 21	34.00 44 21	380 x 380 x 217 mm
35.00 53 16	36.00 53 16	34.00 53 16	500 x 300 x 167 mm
35.00 63 16	36.00 63 16	34.00 63 16	600 x 300 x 167 mm
35.00 64 21	36.00 64 21	34.00 64 21	600 x 380 x 217 mm

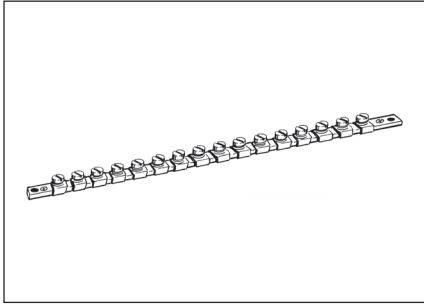
Accessories

Type	DIN rail* TS35	PE bar	External mounting brackets	Mounting plate
34/35/36.00 22 09	•	•	•	•
34/35/36.00 22 15	•	•	•	•
34/35/36.00 33 16	•	•	•	•
34/35/36.00 32 09	•	•	•	•
34/35/36.00 44 16	•	•	•	•
34/35/36.00 44 21	•	•	•	•
34/35/36.00 53 16	•	•	•	•
34/35/36.00 63 16	•	•	•	•
34/35/36.00 64 21	•	•	•	•

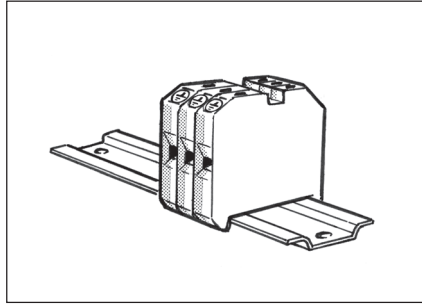
* TS 32 on request

External mounting brackets (set = 4 pcs.)	37.10 50 00
Mounting set (screws, gasket, nuts)	37.99 00 01
External hinge set (2 pcs.)	37.00 00 02

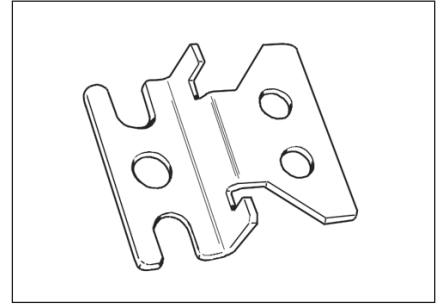
Accessories / Version



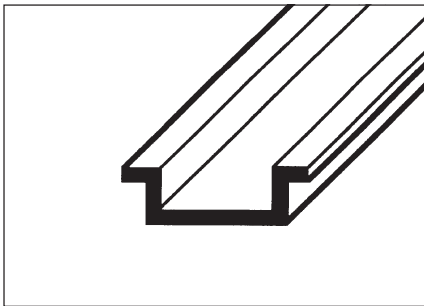
PE bar



PE terminal blocks



External mounting brackets



DIN rail

Type: **E Ex e 35.00 22 09**

E Ex ia 36.00 22 09

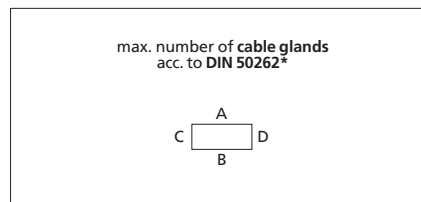
Ex empty enclosure **34.00 22 09**

Certification **ATEX**

External dimensions **200 x 250 x 97 mm**

Weight **2090 g**

DIN rail length in mm	max. fitting length in mm	PE bar max. number	External earth in mm ²	External mounting brackets	Hinge						
TS 35		8 x 6 mm ²									
190	170	1	35 mm ²	•	•						



Diameter of connection (mm ²)	1,5	2,5	4	6	10	16	25	35	50	70	95
max. number of terminals**	70	56	48	36	28	24	9	9			
max. number of DIN rails	2	2	2	2	2	2	1	1			
Number of internal cables in dependence to current/A	6										
	10	37	67								
	16	14	25	41							
	20	6	15	26	44						
	25		7	16	26						
	35			5	12	24					
	50					10	20	64			
	63					3	11	21			
	80						4	11	19		
	100							5	10		
	125								4		
	160										
	200										
	225										
	250										
	315										
400											
500											

M	Cross-corner dim.	Side		PG	Cross-corner dim.	Side	
		A/B	C/D			A/B	C/D
12	17,25	38	36	7	17,25	38	36
16	25,30	20	17	9	21,85	24	20
20	27,60	12	8	11	25,30	20	17
25	37,95	5	6	13,5	27,60	12	8
32	48,30	3		16	31,05	10	7
40	60,95	3		21	37,95	5	6
50	69,00			29	48,30	3	
63	74,75			36	60,95	3	
				42	69,00		
				48	74,75		

Number or internal cables/2 = number of terminals
 * not for armoured cables
 ** Base: Terminal block Phoenix Contact, further see page 118

Type: **E Ex e 35.00 22 15**

E Ex ia 36.00 22 15

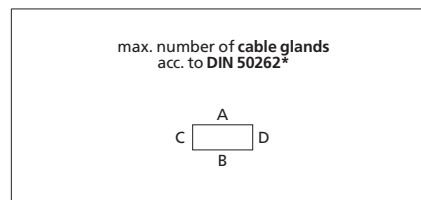
Ex empty enclosure **34.00 22 15**

Certification **ATEX**

External dimensions **200 x 250 x 157 mm**

Weight **2620 g**

DIN rail length in mm	max. fitting length in mm	PE bar max. number	External earth in mm ²	External mounting brackets	Hinge						
TS 35		8 x 6 mm ²									
190	170	1	35 mm ²	•	•						



Diameter of connection (mm ²)	1,5	2,5	4	6	10	16	25	35	50	70	95
max. number of terminals**	70	56	48	36	28	24	9	9			
max. number of DIN rails	2	2	2	2	2	2	1	1			
Number of internal cables in dependence to current/A	6										
	10	47	86								
	16	18	32	53							
	20	7	20	34	57						
	25		9	21	34						
	35			6	16	31					
	50				2	12	25	82			
	63					4	14	28			
	80						5	15	25		
	100							7	13		
	125								6		
	160										
	200										
	225										
	250										
	315										
400											
500											

M	Cross-corner dim.	Side		PG	Cross-corner dim.	Side	
		A/B	C/D			A/B	C/D
12	17,25	76	75	7	17,25	76	75
16	25,30	35	36	9	21,85	40	38
20	27,60	30	30	11	25,30	35	36
25	37,95	12	15	13,5	27,60	30	30
32	48,30	8	8	16	31,05	20	22
40	60,95	6	5	21	37,95	12	15
50	69,00	3	3	29	48,30	8	8
63	74,75	3	3	36	60,95	6	5
				42	69,00	3	3
				48	74,75	3	3

Number or internal cables/2 = number of terminals
 * not for armoured cables
 ** Base: Terminal block Phoenix Contact, further see page 118

Type: **E Ex e 35.00 32 09**

E Ex ia 36.00 32 09

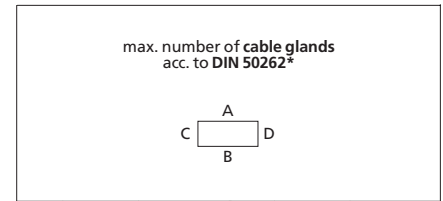
Ex empty enclosure **34.00 32 09**

Certification **ATEX**

External dimensions **350 x 250 x 97 mm**

Weight **3150 g**

DIN rail length in mm	max. fitting length in mm	PE bar max. number	External earth in mm ²	External mounting brackets	Hinge						
TS 35		16 x 6 mm ²									
340	320	1	70 mm ²	•	•						



Diameter of connection (mm ²)	1,5	2,5	4	6	10	16	25	35	50	70	95
max. number of terminals**	142	114	96	72	58	48	38	38			
max. number of DIN rails	2	2	2	2	2	2	2	2			
Number of internal cables in dependence to current/A	6										
	10	42	77								
	16	16	29	48							
	20	7	18	30	51						
	25		8	19	31						
	35			6	14	27					
	50				2	11	23	74			
	63					4	13	25			
	80						5	13	22		
	100							6	12		
	125								5		
	160										
	200										
	225										
	250										
	315										
400											
500											

M	Cross-corner dim.	Side		PG	Cross-corner dim.	Side	
		A/B	C/D			A/B	C/D
12	17,25	74	36	7	17,25	74	36
16	25,30	24	17	9	21,85	45	20
20	27,60	24	8	11	25,30	24	17
25	37,95	11	6	13,5	27,60	24	8
32	48,30	7		16	31,05	20	7
40	60,95	5		21	37,95	11	6
50	69,00			29	48,30	7	
63	74,75			36	60,95	5	
				42	69,00		
				48	74,75		

Number of internal cables/2 = number of terminals
 * not for armoured cables
 ** Base: Terminal block Phoenix Contact, further see page 118

Type: **E Ex e 35.00 33 16**

E Ex ia 36.00 33 16

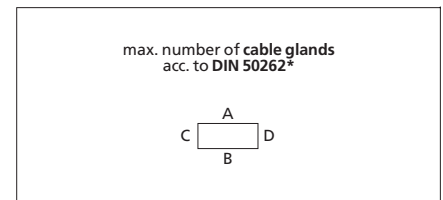
Ex empty enclosure **34.00 33 16**

Certification **ATEX**

External dimensions **300 x 300 x 167 mm**

Weight **4020 g**

DIN rail length in mm	max. fitting length in mm	PE bar max. number	External earth in mm ²	External mounting brackets	Hinge						
TS 35		13 x 6 mm ²									
290	270	1	50 mm ²	•	•						



Diameter of connection (mm ²)	1,5	2,5	4	6	10	16	25	35	50	70	95
max. number of terminals**	118	94	80	60	48	40	32	32	12		
max. number of DIN rails	2	2	2	2	2	2	2	2	1		
Number of internal cables in dependence to current/A	6										
	10	55	100								
	16	21	38	62							
	20	9	23	39	67						
	25		11	24	40						
	35			7	18	36					
	50				2	15	30	96			
	63					5	16	32			
	80						6	17	29		
	100							8	16	29	
	125								7	15	
	160									6	
	200										
	225										
	250										
	315										
400											
500											

M	Cross-corner dim.	Side		PG	Cross-corner dim.	Side	
		A/B	C/D			A/B	C/D
12	17,25	110	88	7	17,25	110	88
16	25,30	55	52	9	21,85	72	60
20	27,60	48	38	11	25,30	55	52
25	37,95	23	21	13,5	27,60	48	38
32	48,30	15	11	16	31,05	33	26
40	60,95	8	8	21	37,95	23	21
50	69,00	7	5	29	48,30	15	11
63	74,75	5	4	36	60,95	8	8
				42	69,00	7	5
				48	74,75	5	4

Number of internal cables/2 = number of terminals
 * not for armoured cables
 ** Base: Terminal block Phoenix Contact, further see page 118

Type: **E Ex e 35.00 44 16**

E Ex ia 36.00 44 16

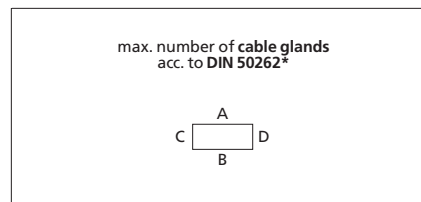
Ex empty enclosure **34.00 44 16**

Certification **ATEX**

External dimensions **380 x 380 x 167 mm**

Weight **5650 g**

DIN rail length in mm	max. fitting length in mm	PE bar max. number	External earth in mm ²	External mounting brackets	Hinge						
TS 35		36 x 6 mm ²									
370	350	2	70 mm ²	•	•						



Diameter of connection (mm ²)	1,5	2,5	4	6	10	16	25	35	50	70	95			
	max. number of terminals**	234	189	159	120	96	81	42	42	32	13	13		
max. number of DIN rails	3	3	3	3	3	3	2	2	2	1	1			
Number of internal cables in dependence to current/A	6													
	10	62	113											
	16	24	43	71										
	20	10	26	45	75									
	25		13	28	45									
	35			8	21	41								
	50				3	16	34	109						
	63					6	19	36						
	80						7	19	33					
	100							9	18	33				
	125								8	17	32			
	160									7	15			
	200										6			
	225											2		
	250												8	
	315													4
400														
500														

M	Cross-corner dim.	Side		PG	Cross-corner dim.	Side	
		A/B	C/D			A/B	C/D
12	17,25	160	140	7	17,25	160	140
16	25,30	70	56	9	21,85	96	80
20	27,60	60	48	11	25,30	70	56
25	37,95	27	27	13,5	27,60	60	48
32	48,30	21	14	16	31,05	44	44
40	60,95	12	10	21	37,95	27	27
50	69,00	9	6	29	48,30	21	14
63	74,75	7	5	36	60,95	12	10
				42	69,00	9	6
				48	74,75	7	5

Number or internal cables/2 = number of terminals
 * not for armoured cables
 ** Base: Terminal block Phoenix Contact, further see page 118

Type: **E Ex e 35.00 44 21**

E Ex ia 36.00 44 21

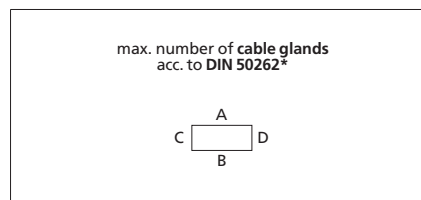
Ex empty enclosure **34.00 44 21**

Certification **ATEX**

External dimensions **380 x 380 x 217 mm**

Weight **6400 g**

DIN rail length in mm	max. fitting length in mm	PE bar max. number	External earth in mm ²	External mounting brackets	Hinge						
TS 35		36 x 6 mm ²									
370	350	2	70 mm ²	•	•						



Diameter of connection (mm ²)	1,5	2,5	4	6	10	16	25	35	50	70	95		
	max. number of terminals**	234	189	159	120	96	81	42	42	32	13	13	
max. number of DIN rails	3	3	3	3	3	3	2	2	2	1	1		
Number of internal cables in dependence to current/A	6												
	10	72	131										
	16	28	49	82									
	20	12	30	52	87								
	25		15	32	52								
	35			10	24	47							
	50				3	19	39	126					
	63					7	22	42					
	80						9	23	38				
	100							10	21	38			
	125								9	20	37		
	160									8	17		
	200										7		
	225											2	
	250												9
	315												
400													
500													

M	Cross-corner dim.	Side		PG	Cross-corner dim.	Side	
		A/B	C/D			A/B	C/D
12	17,25	220	200	7	17,25	220	200
16	25,30	98	84	9	21,85	144	128
20	27,60	84	72	11	25,30	98	84
25	37,95	45	36	13,5	27,60	84	72
32	48,30	28	21	16	31,05	66	55
40	60,95	18	14	21	37,95	45	36
50	69,00	12	9	29	48,30	28	21
63	74,75	9	8	36	60,95	18	14
				42	69,00	12	9
				48	74,75	9	8

Number or internal cables/2 = number of terminals
 * not for armoured cables
 ** Base: Terminal block Phoenix Contact, further see page 118

Certification **ATEX**

External dimensions **500 x 300 x 167 mm**

Weight **5900 g**

DIN rail length in mm	max. fitting length in mm	PE bar max. number	External earth in mm ²	External mounting brackets	Hinge									
TS 35		24 x 6 mm ²												
490	470	1	240 mm ²	•	•									

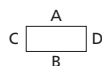
Diameter of connection (mm ²)	1,5	2,5	4	6	10	16	25	35	50	70	95	120	150	185	240
max. number of terminals**	214	172	144	108	88	72	58	58	22	18	18	14	14	12	12
max. number of DIN rails	2	2	2	2	2	2	2	2	1	1	1	1	1	1	1
Number of internal cables in dependence to current/A	6														
	10	60	109												
	16	23	41	68											
	20	10	25	43	72										
	25		12	27	43										
	35			8	20	39									
	50				3	16	32	105							
	63					5	18	35							
	80						7	19	32						
	100							9	17	32					
	125								7	17	31				
	160									6	14	25	65		
	200										6	12	20	35	
	225										2	7	14	21	43
	250											4	9	15	24
	315												2	6	10
400														2	7
500															

Number of internal cables/2 = number of terminals

* not for armoured cables

** Base: Terminal block Phoenix Contact, further see page 118

max. number of cable glands acc. to DIN 50262*



M	Cross-corner dim.	Side		PG	Cross-corner dim.	Side	
		A/B	C/D			A/B	C/D
12	17,25	216	88	7	17,25	216	88
16	25,30	92	52	9	21,85	147	60
20	27,60	85	38	11	25,30	92	52
25	37,95	36	21	13,5	27,60	85	38
32	48,30	26	11	16	31,05	60	26
40	60,95	14	8	21	37,95	36	21
50	69,00	12	5	29	48,30	26	11
63	74,75	9	4	36	60,95	14	8
				42	69,00	12	5
				48	74,75	9	4

Certification **ATEX**

External dimensions **600 x 300 x 167 mm**

Weight **8180 g**

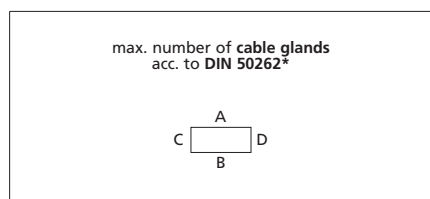
DIN rail length in mm	max. fitting length in mm	PE bar max. number	External earth in mm ²	External mounting brackets	Hinge									
TS 35		29 x 6 mm ²												
590	570	1	240 mm ²	•	•									

Diameter of connection (mm ²)	1,5	2,5	4	6	10	16	25	35	50	70	95	120	150	185	240	
max. number of terminals**	260	210	176	132	106	90	72	72	27	22	22	17	17	15	15	
max. number of DIN rails	2	2	2	2	2	2	2	2	1	1	1	1	1	1	1	
Number of internal cables in dependence to current/A	6															
	10	62	112													
	16	24	42	70												
	20	10	26	44	75											
	25		13	27	45											
	35			8	21	40										
	50				3	16	33	108								
	63					6	18	36								
	80						7	19	33							
	100							9	18	33						
	125								8	17	32					
	160									7	15	26	67			
	200										6	12	21	36		
	225											2	8	14	22	45
	250												4	10	15	25
315													2	6	11	19
400															2	7
500																

Number of internal cables/2 = number of terminals

* not for armoured cables

** Base: Terminal block Phoenix Contact, further see page 118



M	Cross-corner dim.	Side		PG	Cross-corner dim.	Side	
		A/B	C/D			A/B	C/D
12	17,25	231	88	7	17,25	231	88
16	25,30	115	52	9	21,85	156	60
20	27,60	100	38	11	25,30	115	52
25	37,95	45	21	13,5	27,60	100	38
32	48,30	33	11	16	31,05	72	26
40	60,95	17	8	21	37,95	45	21
50	69,00	16	5	29	48,30	33	11
63	74,75	11	4	36	60,95	17	8
				42	69,00	16	5
				48	74,75	11	4

Certification **ATEX**

External dimensions **600 x 380 x 217 mm**

Weight **10800 g**

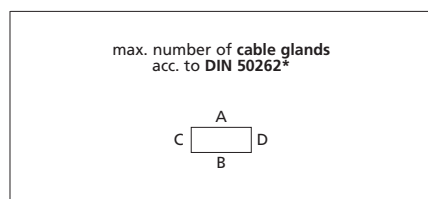
DIN rail length in mm	max. fitting length in mm	PE bar max. number	External earth in mm ²	External mounting brackets	Hinge									
TS 35		58 x 6 mm ²												
590	570	2	240 mm ²	•	•									

Diameter of connection (mm ²)	1,5	2,5	4	6	10	16	25	35	50	70	95	120	150	185	240	
max. number of terminals**	390	315	264	198	159	135	72	72	54	44	44	17	17	15	15	
max. number of DIN rails	3	3	3	3	3	3	2	2	2	2	2	1	1	1	1	
Number of internal cables in dependence to current/A	6															
	10	78	142													
	16	30	53	88												
	20	12	33	56	94											
	25		16	35	56											
	35			11	26	51										
	50				4	21	42	136								
	63					7	23	46								
	80						9	24	42							
	100							11	22	41						
	125								10	22	40					
	160									8	19	33	84			
	200										7	16	26	46		
	225											3	10	18	28	56
	250												5	12	19	31
	315													3	7	13
400															3	10
500																

Number of internal cables/2 = number of terminals

* not for armoured cables

** Base: Terminal block Phoenix Contact, further see page 118



M	Cross-corner dim.	Side		PG	Cross-corner dim.	Side	
		A/B	C/D			A/B	C/D
12	17,25	330	200	7	17,25	330	200
16	25,30	176	84	9	21,85	208	128
20	27,60	140	72	11	25,30	176	84
25	37,95	75	36	13,5	27,60	140	72
32	48,30	44	21	16	31,05	108	55
40	60,95	27	14	21	37,95	75	36
50	69,00	20	9	29	48,30	44	21
63	74,75	15	8	36	60,95	27	14
				42	69,00	20	9
				48	74,75	15	8

Dimensions

Type	Ex e	Ex ia	Empty enclosure	Dimensions (mm)								Height	
				Length				Width				H_U	H_{Ges}
				A	B	C	E	F	I	G	S		
35.00 22 09	36.00 22 09	34.00 22 09		200	250	160	181	210	170	25	1,25	75	97
35.00 22 15	36.00 22 15	34.00 22 15		500	250	460	481	210	170	25	1,25	75	157
35.00 32 09	36.00 32 09	34.00 32 09		350	250	310	331	210	170	25	1,25	75	97
35.00 33 16	36.00 33 16	34.00 33 16		300	300	260	281	260	220	25	1,25	145	167
35.00 44 16	36.00 44 16	34.00 44 16		380	380	340	361	340	300	25	1,25	145	167
35.00 44 21	36.00 44 21	34.00 44 21		380	380	340	361	340	300	25	1,25	195	217
35.00 53 16	36.00 53 16	34.00 53 16		500	300	460	481	260	220	25	1,25	145	167
35.00 63 16	36.00 63 16	34.00 63 16		600	300	560	580	260	220	25	1,5	145	167
35.00 64 21	36.00 64 21	34.00 64 21		600	380	560	580	340	300	25	1,5	195	217

