

Ultramas



As a result of the different dimensions and height options, this ABS plastic enclosure adapts superbly to your individual space requirements.

The various accessories mean that you can use Ultramas as a desk or wall enclosure in either a horizontal or vertical position.

Alternatively, the enclosure half-shells and extension sets are also available with moulded-in air vents ex warehouse at no extra charge.

The recessed surfaces on the top parts are designed to accommodate displays and operating elements, in particular for the flush fitting of membrane keypads.

Enclosure material: ABS,
for technical data
see pages 646-650.

Colour: Light grey, similar
to RAL 7035;
screw covers,
brackets and feet
agate grey, similar
to RAL 7038;
special colours on
request, minimum
order 500 pieces.

Ingress protection: Closed:
IP 40/DIN EN 60529;
with air vents:
IP 30/DIN EN 60529

Scope of delivery:

Lid and base,
8 screw covers,
4 rubber feet,
4 screws M3

Accessories (additional charge):

FP: Front panel aluminium
Al Mg3, anodized, 2 mm

FPK: Front panel, plastic ABS
light grey, similar to RAL
7035, 2 mm, structured on
one side

AB: Extension set left and right,
ABS light grey, similar to
RAL 7035
(set = 2 pieces)

UM-AS: Set-up foot set fixed
(set = 4 pieces)

UM-ASK: Set-up foot set hinged
(set = 2 fixed and
2 hinged feet)

UM-WLH: Wall brackets
(set = 4 pieces)

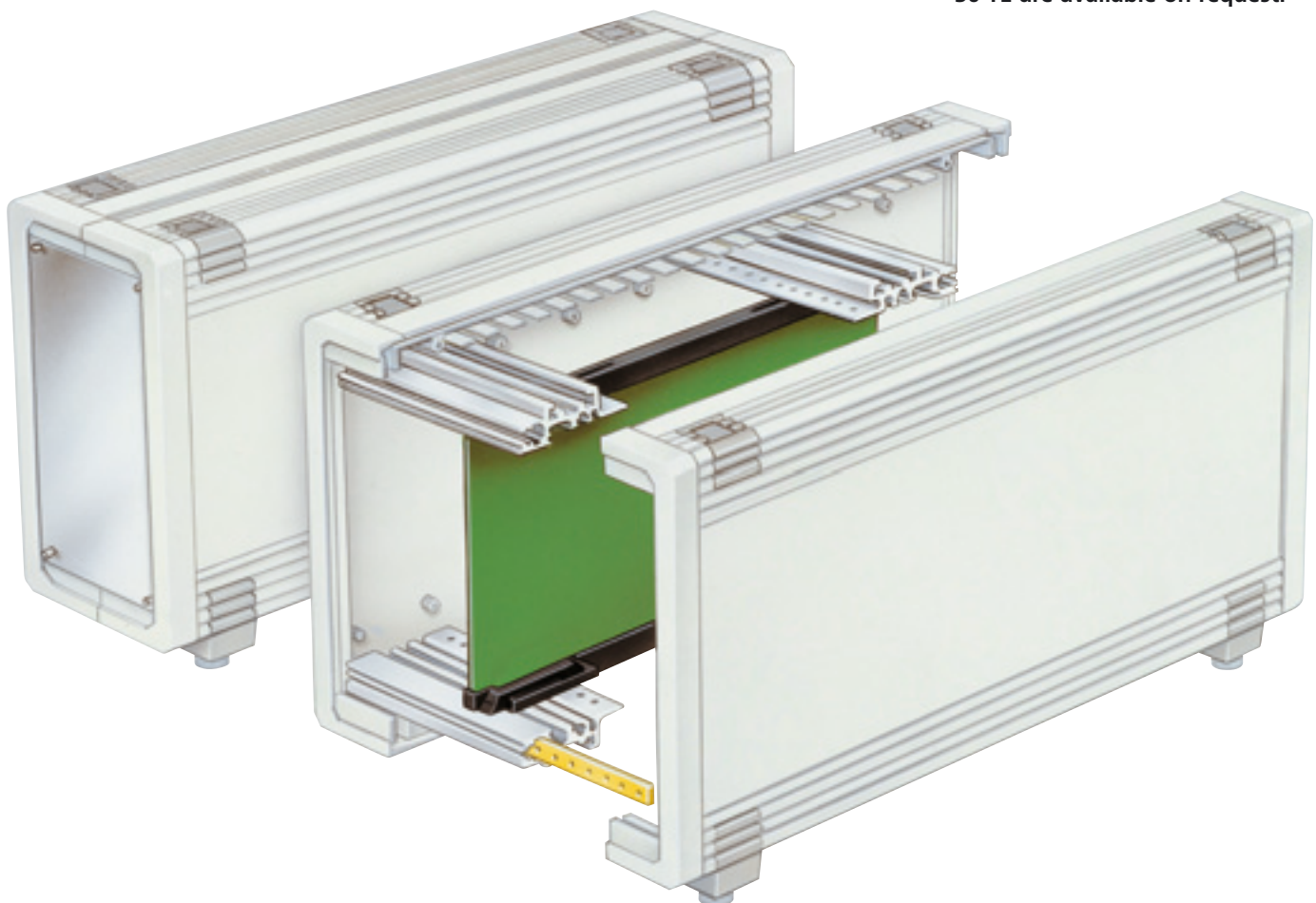
UM-VHH: Connecting straps
(set = 4 pieces)

Note:

The screw covers which are part of
standard delivery can be plugged into
the enclosure **vertically or horizontally**
as required. Fixed or collapsible set-up
foot sets can be supplied as accessories
which provide a space under the appli-
cances and ensure adequate ventila-
tion. The enclosure height (or width, if
used vertically) can be extended by
45.72 mm or 15.24 mm by using exten-
sion sets.
Bosses for self-tapping screws are lo-
cated inside the enclosure shells. The
boss dimensions conform – among
others – to European standard size
cards. Additional grooves for the inser-
tion of circuit boards, mounting plates,
etc., are located on the inner enclosure
sides.

19" technology:

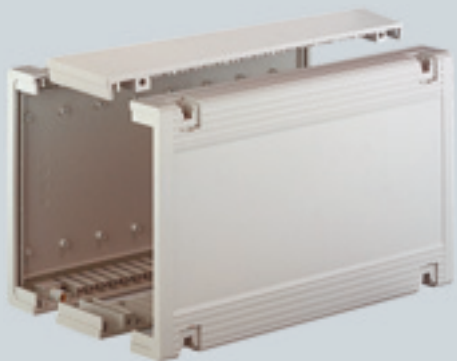
**19" inside extensions for 3 and 6 HE
with widths of 9,12,18,21,27,30 and
36 TE are available on request.**



Ultramas



Ventilation type



Ultramas UM 3..09

Enclosures

Model	Order no.	W	H	D
UM 32009	55320000	157.5	62.2	198.9
UM 32009 L	55320010	157.5	62.2	198.9
UM 32609	55326000	157.5	62.2	258.9
UM 32609 L	55326010	157.5	62.2	258.9

L = with moulded-in air vents in lid and base

Scope of delivery:
2 half-shells, 8 covers,
4 rubber feet, 4 M3 screws

* The basic enclosure height of 46.5 mm (in horizontal use) can be increased by the use of extension sets AB... listed in the table below. The front panels must be chosen to match the selected enclosure width.

Additional accessories:
see pages 102-103.

Selection table of AB ... and FP(K) for UM 3..09 enclosures

Encl. height	Number of extension sets		Front panels to be used
	AB 02_03	AB 02_09(L)	
46.5	–	–	FP(K) 30009
61.7	1	–	FP(K) 30012
92.2	–	1	FP(K) 30018
107.5	1	1	FP(K) 30021
138.0	–	2	FP(K) 30027
153.2	1	2	FP(K) 30030
183.7	–	3	FP(K) 30036

Extension sets AB ...

Order designation

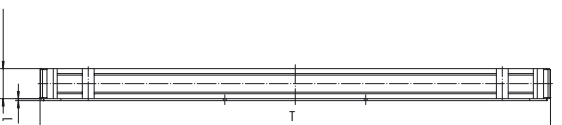
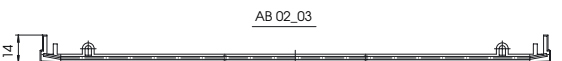
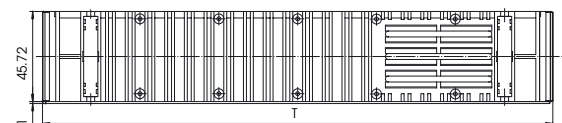
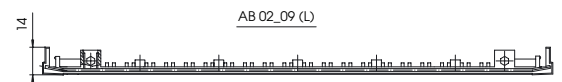
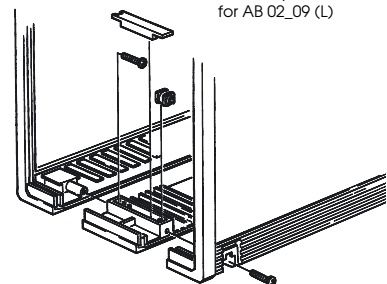
Model	Order no.	Extension h.	D = enclosure depth
AB 02003	56020500	15.24	198.9
AB 02009	56020000	45.72	198.9
AB 02009 L	56020010	45.72	198.9
AB 02603	56026500	15.24	258.9
AB 02609	56026000	45.72	258.9
AB 02609 L	56026010	45.72	258.9

L = with ventilation

Scope of delivery:
2 extension units, fitting material

Selection table: see above.

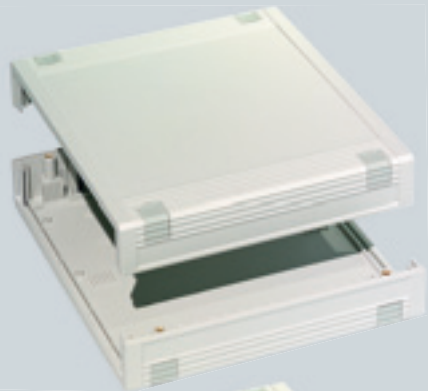
Assembly illustration for AB 02_09 (L)



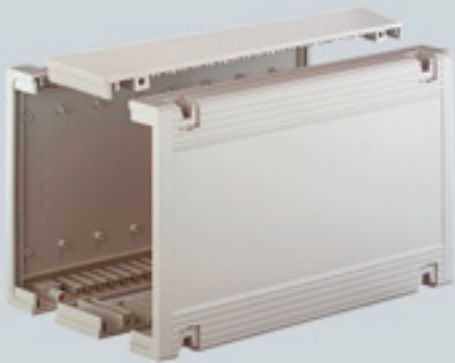
These extension units make it possible to extend the Ultramas enclosures between the half-shells by 3 TE or n x 9 TE respectively. If more than one extension set is used, they must be screwed with each other.



Ultramas



Ventilation type



Ultramas UM 5...11

Enclosures

Model	Order no.	W	H	D
UM 52011	55520000	224.2	72.4	198.9
UM 52011 L	55520020	224.2	72.4	198.9

L = with moulded-in air vents in lid and base

Scope of delivery:
2 half-shells, 8 covers,
4 rubber feet, 4 M3 screws

Additional accessories:
see pages 102-103.

* The basic enclosure height of 56.7 mm (in horizontal use) can be increased by the use of extension sets AB... listed in the table below. The front panels must be chosen to match the selected enclosure width.

Selection table of AB ... and FP(K) for UM 52011 enclosures

Encl. height	Number of extension sets		Front panels to be used
	AB 02009(L)		
56.7	–		FP(K) 50011
102.4	1		FP(K) 50020
148.1	2		FP(K) 50029

Extension sets AB ...

Order designation

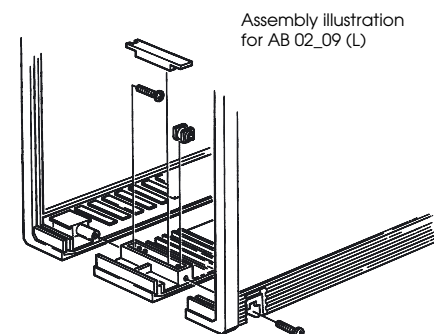
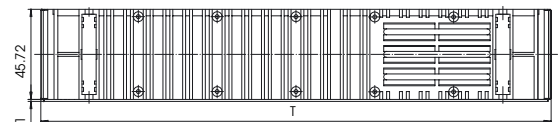
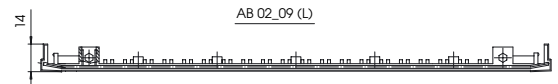
Model	Order no.	Ext. height	D = enclosure depth
AB 02009	56020000	45.72	198.9
AB 02009 L	56020010	45.72	198.9

L = with ventilation

Scope of delivery:
2 extension units, fixing material

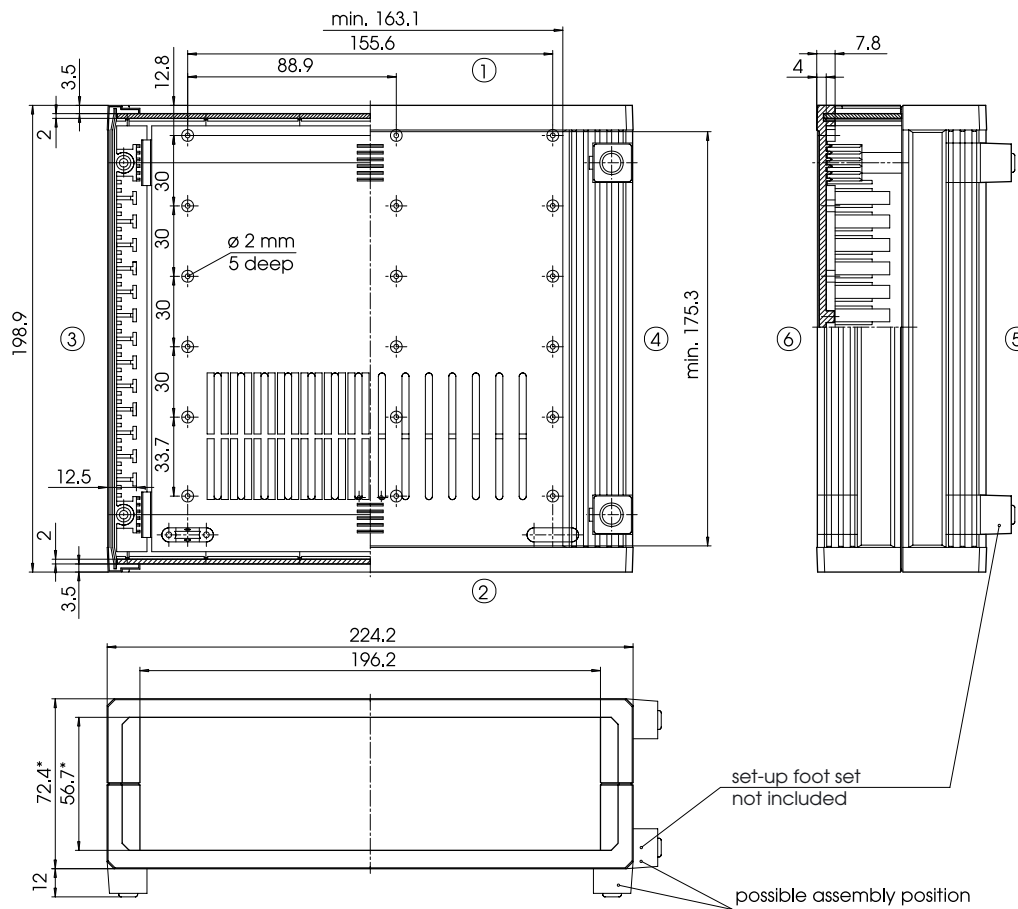
Selection table: see above.

Extension set AB 02003 (page 96)
Only for use with special screws.
Screw type SHR-Z-M3-40
Order no.: 59005541
Please order separately
(4 pcs. per extension set).



These extension units make it possible to extend the Ultramas enclosures between the half-shells by n x 9 TE respectively. If more than one extension set is used, they must be screwed with each other.

UM 5...11



Z-2800805

Front panels

Anodized aluminium, 2.0 mm thick

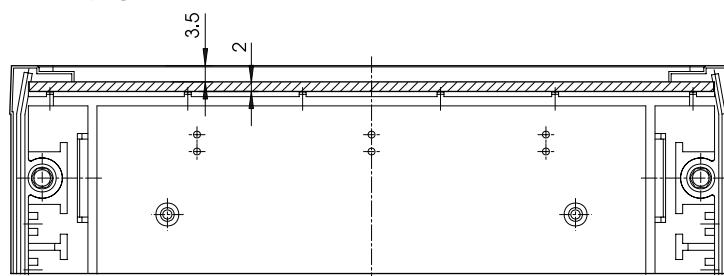
Model	Order no.	H	W
FP 50011	56051100	215.6	66.4
FP 50020	56052000	215.6	112.2
FP 50029	56052900	215.6	157.9

Plastic, 2.0 mm thick, ABS RAL 7035, embossed on one side

Model	Order no.	H	W
FPK 50011	56051110	215.6	66.4
FPK 50020	56052010	215.6	112.2
FPK 50029	56052910	215.6	157.9

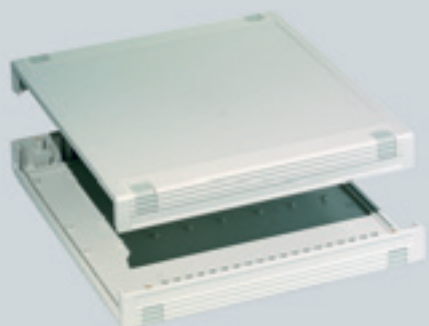
The front panels must be chosen to match the selected extension sets.

Please also refer to **Selection table** on page 98.

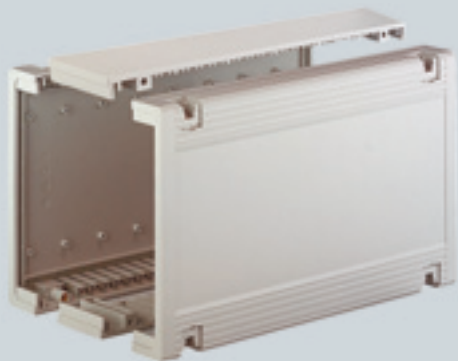


Z-2800271

Ultramas



Ventilation type



Ultramas UM 6...09

Enclosures

Model	Order no.	W	H	D
UM 62009	55620000	290.9	62.2	198.9
UM 62009 L	55620010	290.9	62.2	198.9
UM 62609	55626000	290.9	62.2	258.9
UM 62609 L	55626010	290.9	62.2	258.9

L = with moulded-in air vents in lid and base

Scope of delivery:
2 half-shells, 8 covers,
4 rubber feet, 4 M3 screws

* The basic enclosure height of 46.5 mm (in horizontal use) can be increased by the use of extension sets AB... listed in the table below. The front panels must be chosen to match the selected enclosure width.

Additional accessories:
see pages 102-103.

Selection table of AB ... and FP(K) for UM 6..09 enclosures

Encl. height	Number of extension sets		Front panels to be used
	AB 02_03	AB 02_09(L)	
46.5	–	–	FP(K) 60009
61.7	1	–	FP(K) 60012
92.2	–	1	FP(K) 60018
107.5	1	1	FP(K) 60021
138.0	–	2	FP(K) 60027
153.2	1	2	FP(K) 60030
183.7	–	3	FP(K) 60036

Extension sets AB ...

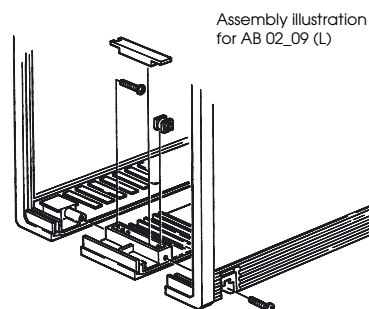
Order designation

Model	Order no.	Ext. height	TE	Encl. depth
AB 02003	56020500	15.24	3	198.9
AB 02009	56020000	45.72	9	198.9
AB 02009 L	56020010	45.72	9	198.9
AB 02603	56026500	15.24	3	258.9
AB 02609	56026000	45.72	9	258.9
AB 02609 L	56026010	45.72	9	258.9

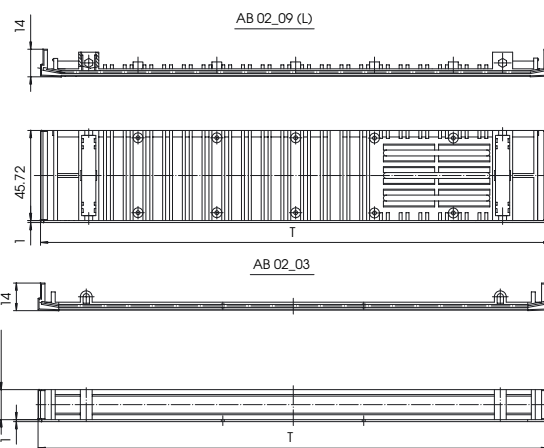
L = with ventilation

Scope of delivery:
2 extension units, fixing material

Selection table: see above.

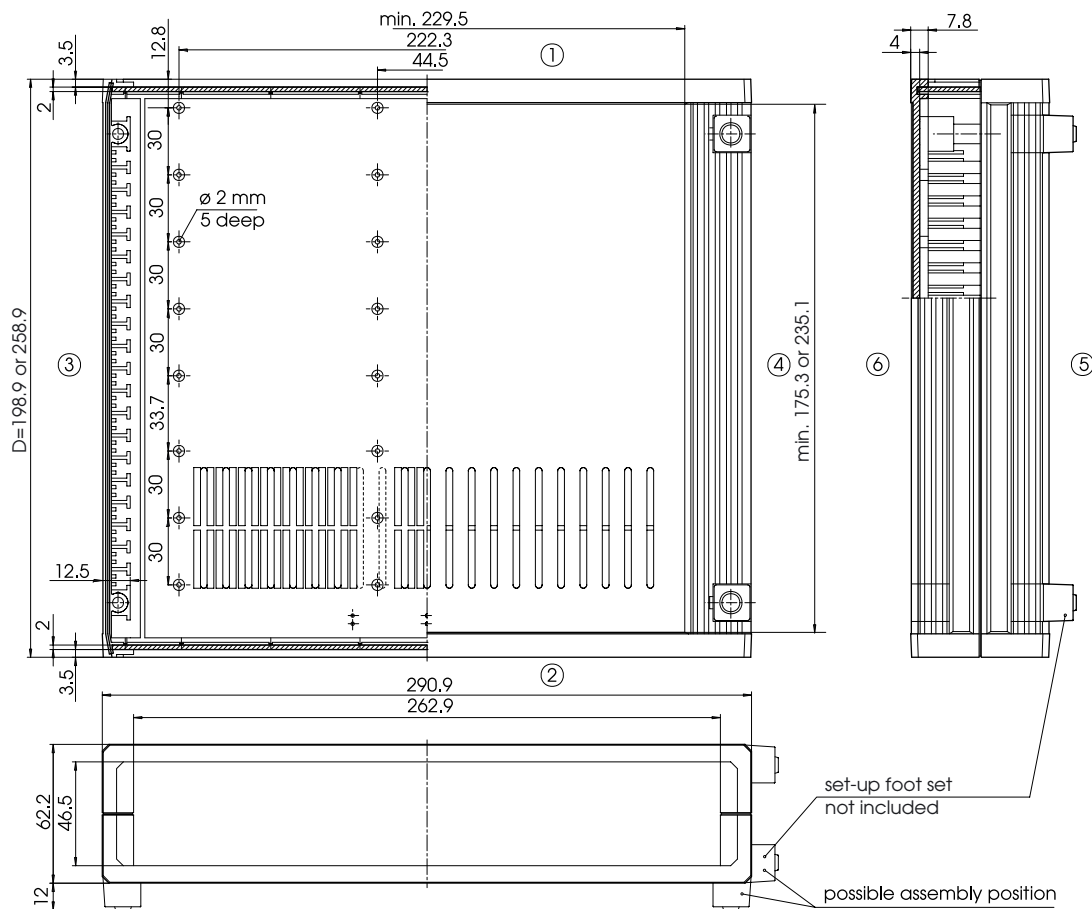


Assembly illustration for AB 02_09 (L)



These extension units make it possible to extend the Ultramas enclosures between the half-shells by 3 TE or $n \times 9$ TE respectively. If more than one extension set is used, they must be screwed with each other.

UM 6...09



Z-2800265

Front panels, plug-in

Anodized aluminium, 2.0 mm thick

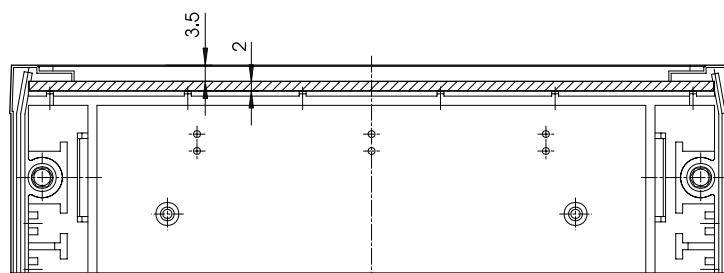
Model	Order no.	H	W
FP 60009	56060900	56.3	82.3
FP 60012	56061200	71.5	282.3
FP 60018	56061800	102.0	282.3
FP 60021	56062100	117.2	82.3
FP 60027	56062700	147.7	282.3
FP 60030	56063000	162.9	282.3
FP 60036	56063600	193.4	282.3

Plastic, 2.0 mm thick, ABS RAL 7035, embossed on one side

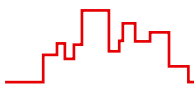
Model	Order no.	H	W
FPK 60009	56060910	56.3	282.3
FPK 60012	56061210	71.5	282.3
FPK 60018	56061810	102.0	282.3
FPK 60021	56062110	117.2	282.3
FPK 60027	56062710	147.7	282.3
FPK 60030	56063010	162.9	282.3
FPK 60036	56063610	193.4	282.3

The front panels must be chosen to match the selected extension sets.

Please also refer to **Selection table** on page 100.



Z-2800271



Ultramas accessories



This set consists of four fixed set-up feet which can be used as an alternative to the covers on the lower side of the base. This gives the enclosure increased ground clearance, e.g. for improved ventilation from the lower side. The feet can be fitted for **horizontal** or **vertical enclosure use**, as required.

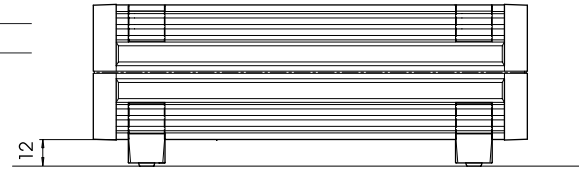


This set consists of two hinged feet and two fixed feet. These can be used as an alternative to the covers on the lower side of the base. This means that the enclosure can be positioned at an angle. The feet can be fitted for **horizontal** or **vertical enclosure use**, as required.

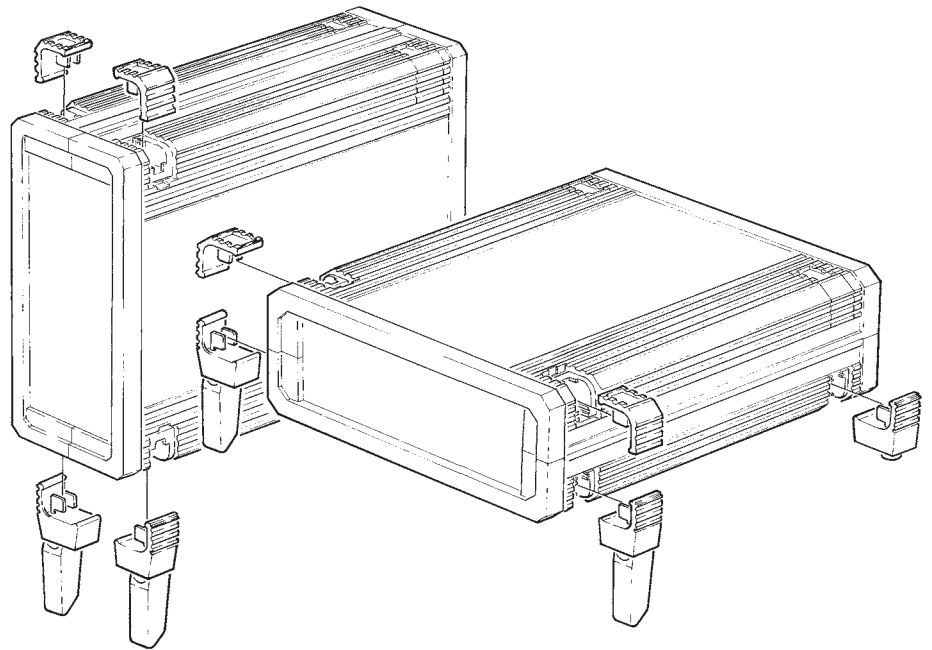
Set-up foot set (fixed)

Order designation

Model	Order no.
UM-AS	56012000



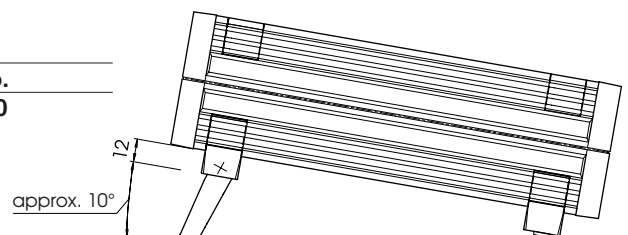
Z-2800286



Set-up foot set (hinged)

Order designation

Model	Order no.
UM-ASK	56012100



Z-2800285

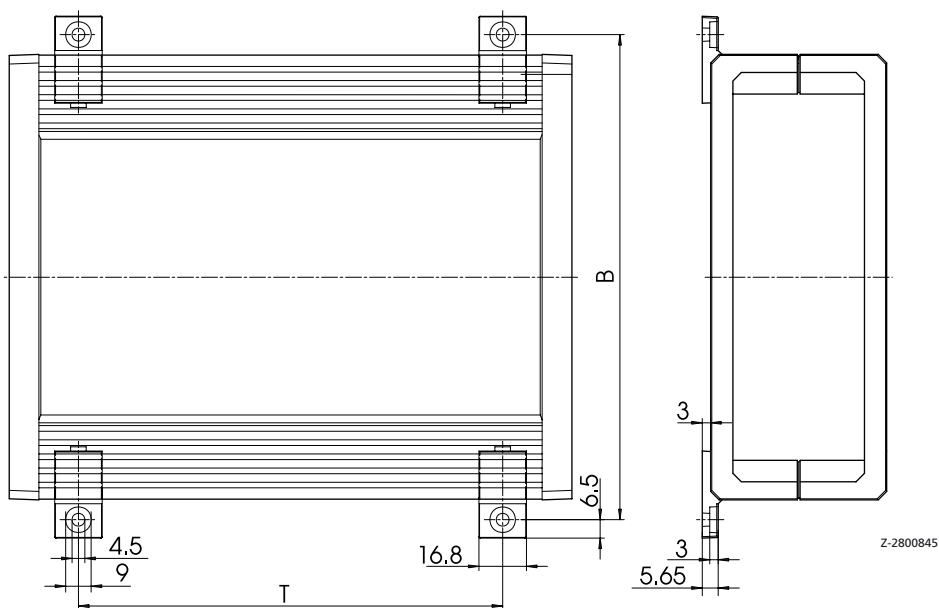
Wall bracket WLH

Order designation

Model	Order no.
UM-WLH	56002000

Table of dimensions

Model	W	D
320..	171.50	150
326..	171.50	210
520..	238.18	150
620..	304.85	150
626..	304.85	210

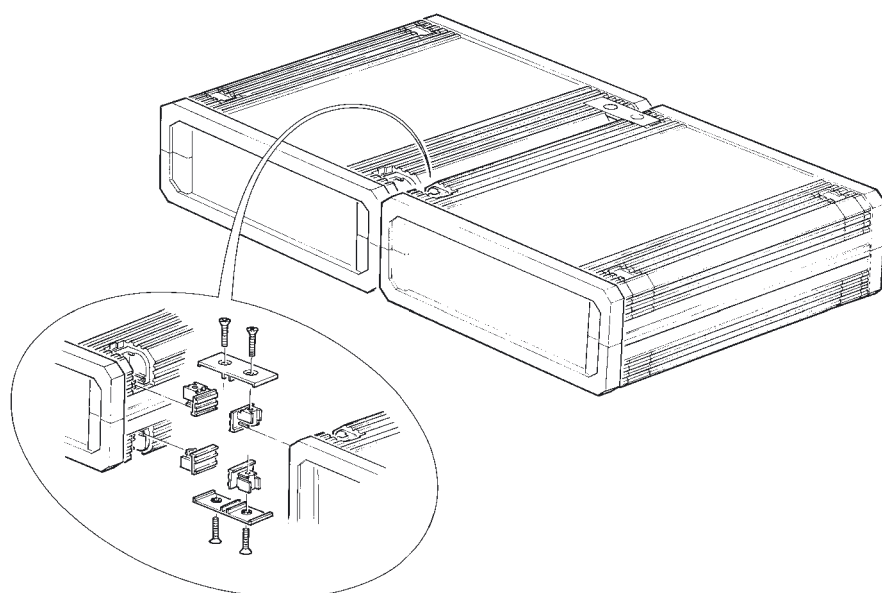


These wall brackets can be used to fit the UM enclosures flat against the wall. Fitting is by means of side insertion of the intermediate piece and screwing-on of the bracket. This does not affect the enclosure screwing system.

Connecting strap UM-VHH

Order designation

Model	Order no.
UM-VHH	56002200



These connecting straps can be used to screw the UM enclosures to each other in a horizontal position.