



The 36 different designs for this DIN IEC 61554 control panel mounting enclosure mean that the user always has the right size for his electronic components. Spring or screw clamps permit fitting in the control panel or switch cabinet to meet your exact requirements.

The clear PVC front covers (available as accessories) protect the front elements up to ingress protection category IP 65.

Enclosure material: Flame resistant noryle SE 1 GFN1.
For technical data see pages 646-651.

Colour: Black, similar to RAL 9005.

Scope of delivery: For NGS: enclosure, standard front frame, rear lid, screws.
For NGS 9806-GR: enclosure, standard front frame, 2 clamping elements.

Accessories (additional charge):

NGS...NF: Spring clamp
 NGS...NK: Screw clamp
 NGS...ZE: Connecting piece for insertion of NGS-NH
 NGS...NH: Standard retaining clasp acc. to DIN 43835 form B
 NGS...FKT: Plastic front panel, red translucent, 3 mm thick
 NGS...FAE: Aluminium front panel, anodized, 1.5 mm thick
 NGS...F: Membrane front, firmly latching
 NGS...TK: NGS front door lockable by means of knob for models 74.., 96.. and 98..
 SHLO-302: Cylinder lock catch for NGS front door

NGS...SA: Open front frame with screw covers, firmly latching
 NGS...AH: Clear hood cover, snap-on for NGS...F/SA
 NGS...DA: Seal enclosure collar – mounting space
 NGS...DI: Seal enclosure – front panel
 NGS...GHN: Flexible transparent PVC hoods for IP 65 front seal
 NGS...RKS: Standard NGS rear wall, separate (included in scope of delivery)

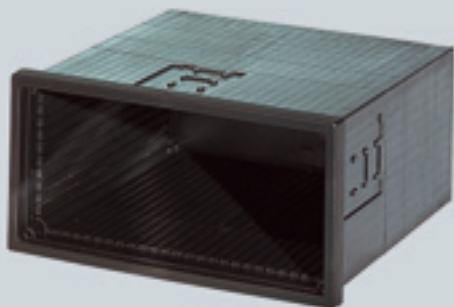
Enclosures Model	Order no.	Size in mm		
		W	H	D
NGS 4806	17480601	48.0	48	63.0
NGS 4808	17480801	48.0	48	85.0
NGS 4810	17481001	48.0	48	109.5
NGS 4811	17481101	48.0	48	119.0
NGS 4813	17481301	48.0	48	141.0
NGS 7406	17740601	144.0	72	64.0
NGS 7408	17740801	144.0	72	86.0
NGS 7410	17741001	144.0	72	110.5
NGS 7411	17741101	144.0	72	120.0
NGS 7413	17741301	144.0	72	142.0
NGS 7416	17741601	144.0	72	166.5
NGS 7706	17770601	72.0	72	63.0
NGS 7708	17770801	72.0	72	85.0
NGS 7710	17771001	72.0	72	109.5
NGS 7711	17771101	72.0	72	119.0
NGS 7713	17771301	72.0	72	141.0
NGS 7716	17771601	72.0	72	165.5
NGS 9406	17940601	96.0	48	63.0
NGS 9408	17940801	96.0	48	85.0
NGS 9410	17941001	96.0	48	109.5
NGS 9411	17941101	96.0	48	119.0
NGS 9413	17941301	96.0	48	141.0
NGS 9416	17941601	96.0	48	165.5
NGS 9606	17960601	96.0	96	63.0
NGS 9608	17960801	96.0	96	85.0
NGS 9610	17961001	96.0	96	109.5
NGS 9611	17961101	96.0	96	119.0
NGS 9613	17961301	96.0	96	141.0
NGS 9616	17961601	96.0	96	165.5
NGS 9806	17980601	144.0	144	64.0
NGS 9808	17980801	144.0	144	86.0
NGS 9810	17981001	144.0	144	110.5
NGS 9811	17981101	144.0	144	120.0
NGS 9813	17981301	144.0	144	142.0
NGS 9816	17981601	144.0	144	166.5
NGS 9806-GR	17980605	144.0	144	68.0



Uninorm



NGS 48



NGS 74

NGS 48

Order designation		External dimensions in mm			
Model	Order no.	W	H	D	E
NGS 4806	17480601	48	48	63.0	56.5
NGS 4808	17480801	48	48	85.0	78.5
NGS 4810	17481001	48	48	109.5	103.0
NGS 4811	17481101	48	48	119.0	112.5
NGS 4813	17481301	48	48	141.0	134.5

Accessories (additional charge)

Model	Order no.
NGS 48 FAE = Front panel, anod. aluminium, 1.5 mm thick	3700050
NGS 48 FKT = Front panel, plastic, red translucent, 3 mm thick	37000610
NGS 48 RKS = Rear wall, separate (included in scope of delivery)	37040100
NGS-NK = Screw clamp (PU = 2 pcs)	37003000
NGS-NF = Spring clamp (PU = 2 pcs)	37005000
NGS-ZE = Connecting piece for DIN retaining clasp (PU = 2 pcs)	37004000
NGS-NH = DIN retaining clasp (PU = 2 pcs)	37001000
NGS 48 DA = Seal, enclosure/control panel (PU = 5 pcs)	37048000
NGS 48 DI = Seal, front panel/enclosure (PU = 5 pcs)	37048010
NGS 48 F = Firmly latching membrane front	37948500
NGS 48 SA = Front frame, firmly latching	37948600
NGS 48 AH* = Clear hood cover	37948700
NGS 48 GHN = Flexible transparent PVC hood	37004800

For descriptions and illustrations of accessories, see pages 362-365.

* available on request

NGS 74

Order designation		External dimensions in mm			
Model	Order no.	W	H	D	E
NGS 7406	17740601	72	144	64.0	56.0
NGS 7408	17740801	72	144	86.0	78.5
NGS 7410	17741001	72	144	110.5	103.0
NGS 7411	17741101	72	144	120.0	112.5
NGS 7413	17741301	72	144	142.0	134.5
NGS 7416	17741601	72	144	166.5	159.0

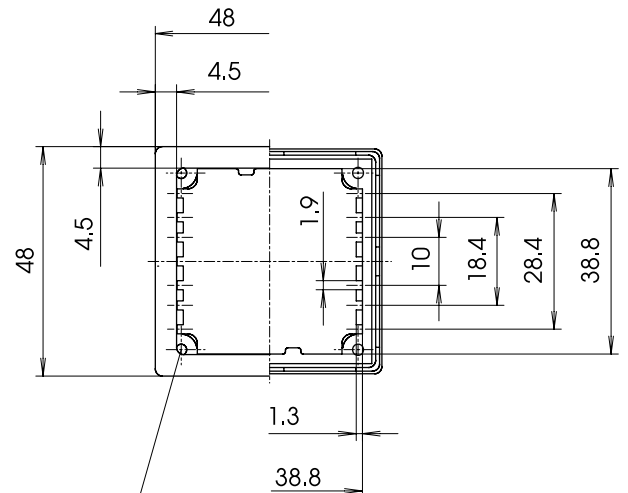
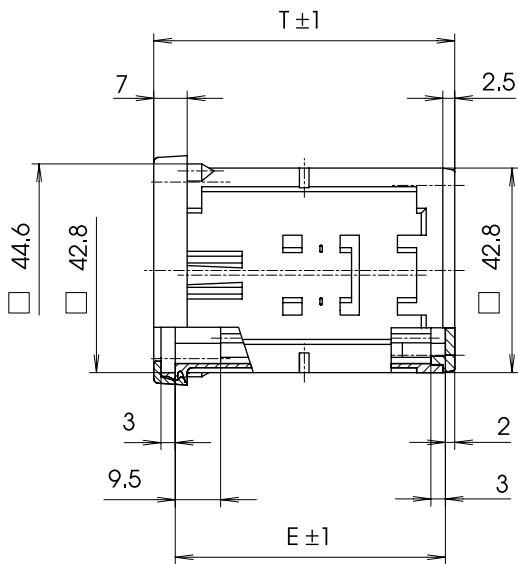
Accessories (additional charge)

Model	Order no.
NGS 74 FAE = Front panel, anod. aluminium, 1.5 mm thick	37000200
NGS 74 FKT = Front panel, plastic, red translucent, 3 mm thick	37000700
NGS 74 RKS = Rear wall, separate (included in scope of delivery)	37001620
NGS-NK = Screw clamp (PU = 2 pcs)	37003000
NGS-NF = Spring clamp (PU = 2 pcs)	37005000
NGS-ZE = Connecting piece for DIN retaining clasp (PU = 2 pcs)	37004000
NGS-NH = DIN retaining clasp (PU = 2 pcs)	37001000
NGS 74 DA = Seal, enclosure/control panel (PU = 5 pcs)	37074000
NGS 74 DI = Seal, front panel/enclosure (PU = 5 pcs)	37074010
NGS 74 F = Firmly latching membrane front	37974500
NGS 74 SA = Front frame, firmly latching	37974600
NGS 74 AH* = Clear hood cover	37974700
NGS 74 GHN = Flexible transparent PVC hood	37007400
NGS 74 TK = Front door lockable by means of knob	17740000
SHLO-302 = Cylinder catch for front door	21008310

For descriptions and illustrations of accessories, see pages 362-365.

* available on request

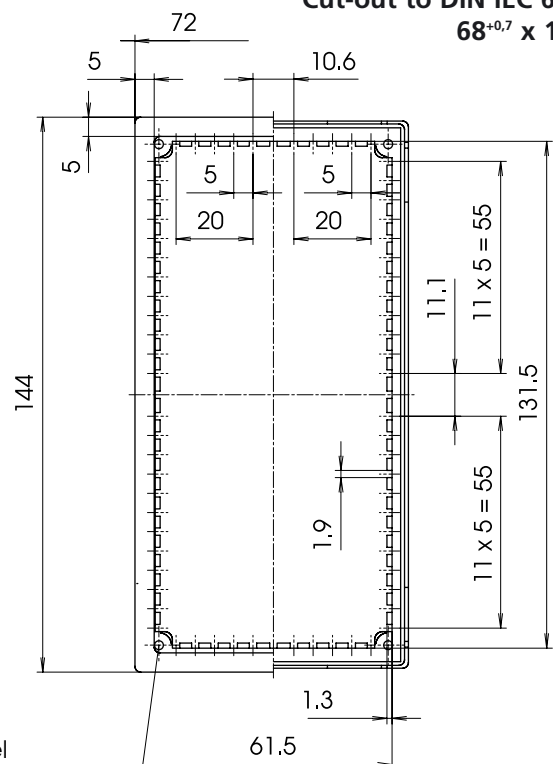
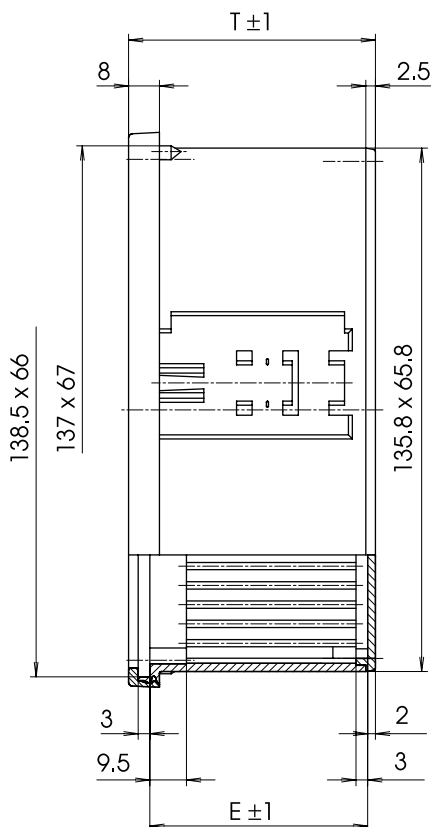
Cut-out to DIN IEC 61554
 $45^{+0,6} \times 45^{+0,6}$



front panel
 fixing points
 37 mm x 37 mm

Z-2600825

Cut-out to DIN IEC 61554
 $68^{+0,7} \times 138^{+1,0}$



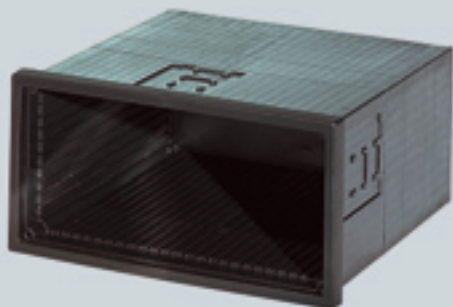
front panel
 fixing points
 59.5 mm x 130 mm

Z-2600827

Uninorm



NGS 77



NGS 94

NGS 77

Order designation		External dimensions in mm			
Model	Order no.	W	H	D	E
NGS 7706	17770601	72	72	63.0	56.5
NGS 7708	17770801	72	72	85.0	78.5
NGS 7710	17771001	72	72	109.5	103.0
NGS 7711	17771101	72	72	119.0	112.5
NGS 7713	17771301	72	72	141.0	134.5
NGS 7716	17771601	72	72	165.5	159.0

Accessories (additional charge)

Model	Order no.
NGS 77 FAE = Front panel, anod. aluminium, 1.5 mm thick	37000100
NGS 77 FKT = Front panel, plastic, red translucent, 3 mm thick	37000600
NGS 77 RKS = Rear wall, separate (included in scope of delivery)	37001610
NGS-NK = Screw clamp (PU = 2 pcs)	37003000
NGS-NF = Spring clamp (PU = 2 pcs)	37005000
NGS-ZE = Connecting piece for DIN retaining clasp (PU = 2 pcs)	37004000
NGS-NH = DIN retaining clasp (PU = 2 pcs)	37001000
NGS 77 DA = Seal, enclosure/control panel (PU = 5 pcs)	37077000
NGS 77 DI = Seal, front panel/enclosure (PU = 5 pcs)	37077010
NGS 77 F = Firmly latching membrane front	37977500
NGS 77 SA = Front frame, firmly latching	37977600
NGS 77 AH* = Clear hood cover	37977700
NGS 77 GHN = Flexible transparent PVC hood	37007700

For descriptions and illustrations of accessories, see pages 362-365.

* available on request

NGS 94

Order designation		External dimensions in mm			
Model	Order no.	W	H	D	E
NGS 9406	17940601	48	96	63.0	56.5
NGS 9408	17940801	48	96	85.0	78.5
NGS 9410	17941001	48	96	109.5	103.0
NGS 9411	17941101	48	96	119.0	112.5
NGS 9413	17941301	48	96	141.0	134.5
NGS 9416	17941601	48	96	165.5	159.0

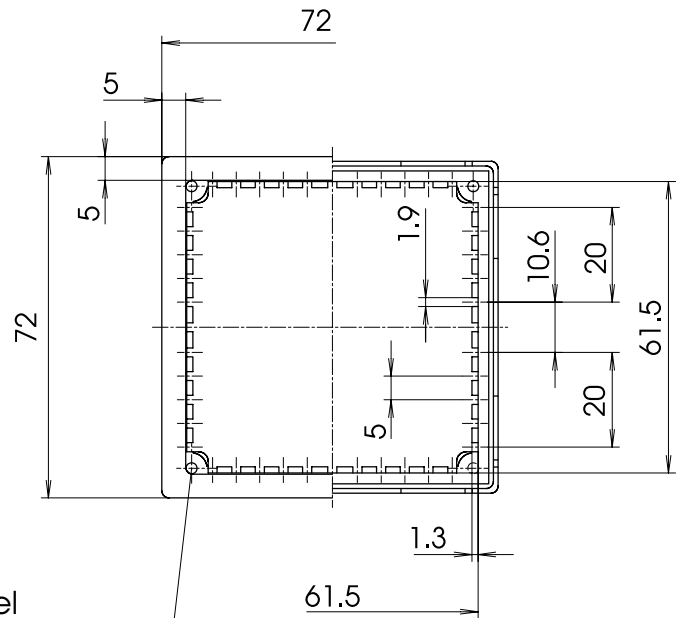
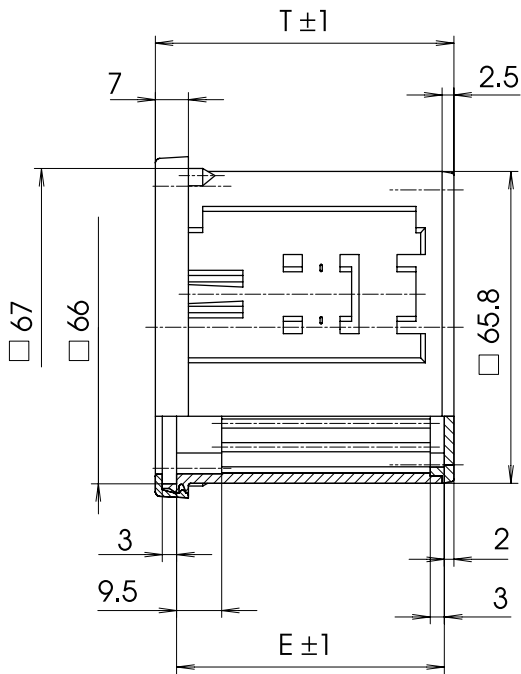
Accessories (additional charge)

Model	Order no.
NGS 94 FAE = Front panel, anod. aluminium, 1.5 mm thick	37000300
NGS 94 FKT = Front panel, plastic, red translucent, 3 mm thick	37000800
NGS 94 RKS = Rear wall, separate (included in scope of delivery)	37001600
NGS-NK = Screw clamp (PU = 2 pcs)	37003000
NGS-NF = Spring clamp (PU = 2 pcs)	37005000
NGS-ZE = Connecting piece for DIN retaining clasp (PU = 2 pcs)	37004000
NGS-NH = DIN retaining clasp (PU = 2 pcs)	37001000
NGS 94 DA = Seal, enclosure/control panel (PU = 5 pcs)	37094000
NGS 94 DI = Seal, front panel/enclosure (PU = 5 pcs)	37094010
NGS 94 F = Firmly latching membrane front	37994500
NGS 94 SA = Front frame, firmly latching	37994600
NGS 94 AH* = Clear hood cover	37994700
NGS 94 GHN = Flexible transparent PVC hood	37009400

For descriptions and illustrations of accessories, see pages 362-365.

* available on request

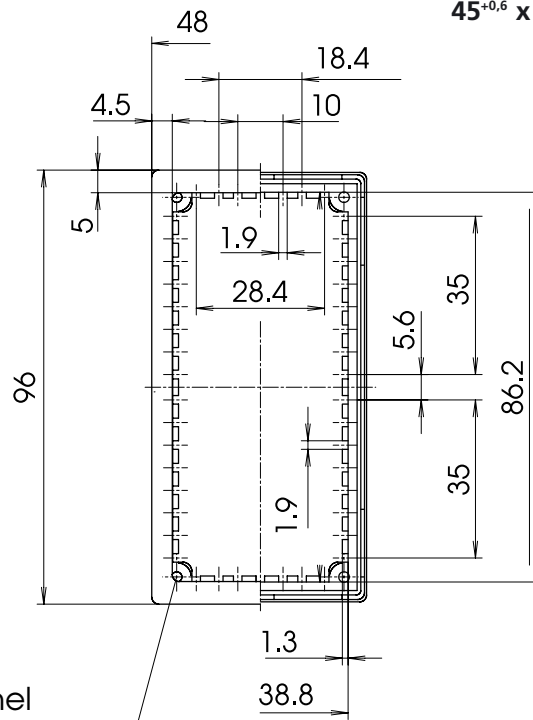
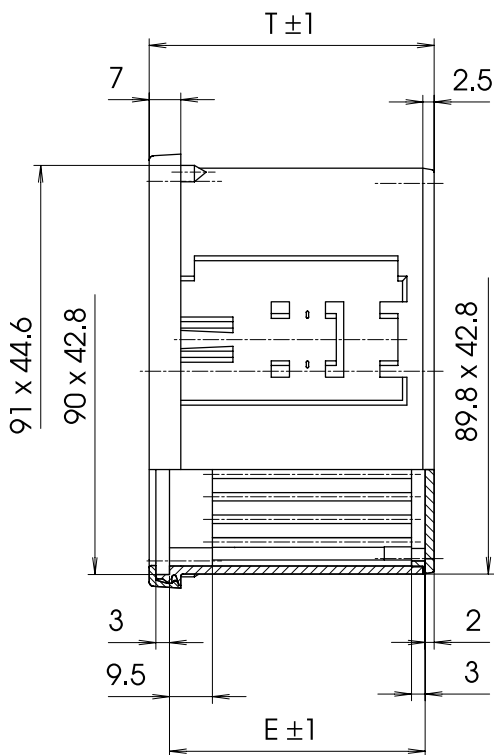
Cut-out to DIN IEC 61554
 $68^{+0,7} \times 68^{+0,7}$



front panel
 fixing points
 59.5 mm x 59.5 mm

Z-2600826

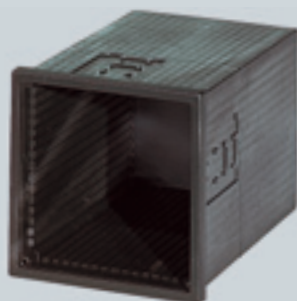
Cut-out to DIN IEC 61554
 $45^{+0,6} \times 92^{+0,8}$



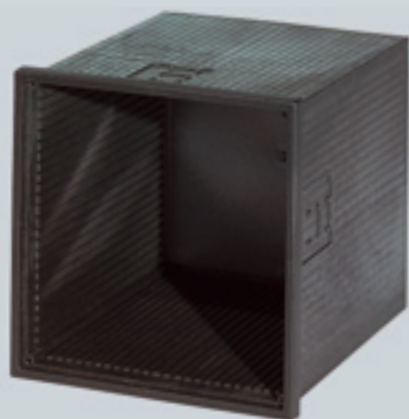
front panel
 fixing points
 37 mm x 84 mm

Z-2600828

Uninorm



NGS 96



NGS 98

NGS 96

Order designation		External dimensions in mm			
Model	Order no.	W	H	D	E
NGS 9606	17960601	96	96	63.0	56.5
NGS 9608	17960801	96	96	85.0	78.5
NGS 9610	17961001	96	96	109.5	103.0
NGS 9611	17961101	96	96	119.0	112.5
NGS 9613	17961301	96	96	141.0	134.5
NGS 9616	17961601	96	96	165.5	159.0

Accessories (additional charge)

Model	Order no.
NGS 96 FAE = Front panel, anod. aluminium, 1.5 mm thick	37000400
NGS 96 FKT = Front panel, plastic, red translucent, 3 mm thick	37000900
NGS 96 RKS = Rear wall, separate (included in scope of delivery)	37001630
NGS-NK = Screw clamp (PU = 2 pcs)	37003000
NGS-NF = Spring clamp (PU = 2 pcs)	37005000
NGS-ZE = Connecting piece for DIN retaining clasp (PU = 2 pcs)	37004000
NGS-NH = DIN retaining clasp (PU = 2 pcs)	37001000
NGS 96 DA = Seal, enclosure/control panel (PU = 5 pcs)	37096000
NGS 96 DI = Seal, front panel/enclosure (PU = 5 pcs)	37096010
NGS 96 F = Firmly latching membrane front	37996500
NGS 96 SA = Front frame, firmly latching	37996600
NGS 96 AH* = Clear hood cover	37996700
NGS 96 GHN = Flexible transparent PVC hood	37009600
NGS 96 TK = Front door lockable by means of knob	17960000
SHLO-302 = Cylinder catch for front door	21008310

For descriptions and illustrations of accessories, see pages 362-365.

* available on request

NGS 98

Order designation		External dimensions in mm			
Model	Order no.	W	H	D	E
NGS 9806	17980601	144	144	64.0	56.5
NGS 9808	17980801	144	144	85.0	78.5
NGS 9810	17981001	144	144	110.5	103.0
NGS 9811	17981101	144	144	120.0	112.5
NGS 9813	17981301	144	144	142.0	134.5
NGS 9816	17981601	144	144	166.5	159.0

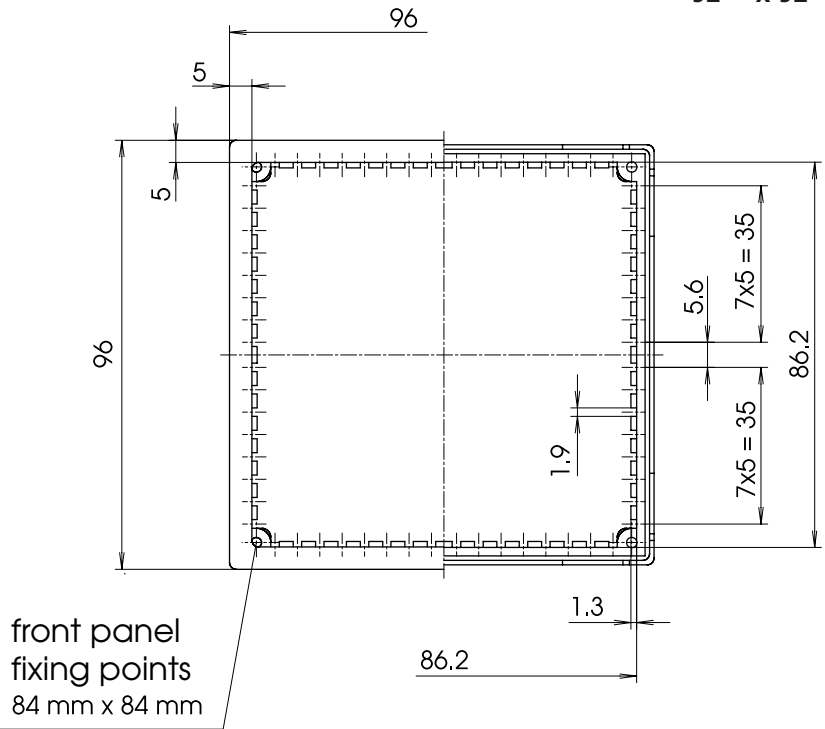
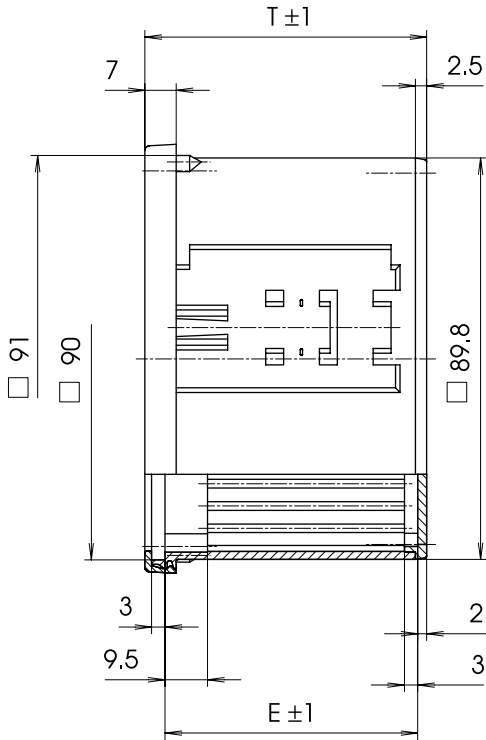
Accessories (additional charge)

Model	Order no.
NGS 98 FAE = Front panel, anod. aluminium, 1.5 mm thick	37000500
NGS 98 FKT = Front panel, plastic, red translucent, 3 mm thick	37000950
NGS 98 RKS = Rear wall, separate (included in scope of delivery)	37001640
NGS-NK = Screw clamp (PU = 2 pcs)	37003000
NGS-NF = Spring clamp (PU = 2 pcs)	37005000
NGS-ZE = Connecting piece for DIN retaining clasp (PU = 2 pcs)	37004000
NGS-NH = DIN retaining clasp (PU = 2 pcs)	37001000
NGS 98 DA = Seal, enclosure/control panel (PU = 5 pcs)	37098000
NGS 98 DI = Seal, front panel/enclosure (PU = 5 pcs)	37098010
NGS 98 F = Firmly latching membrane front	37998500
NGS 98 SA = Front frame, firmly latching	37998600
NGS 98 AH* = Clear hood cover	37998700
NGS 98 GHN = Flexible transparent PVC hood	37009800
NGS 98 TK = Front door lockable by means of knob	17980000
SHLO-302 = Cylinder catch for front door	21008310

For descriptions and illustrations of accessories, see pages 362-365.

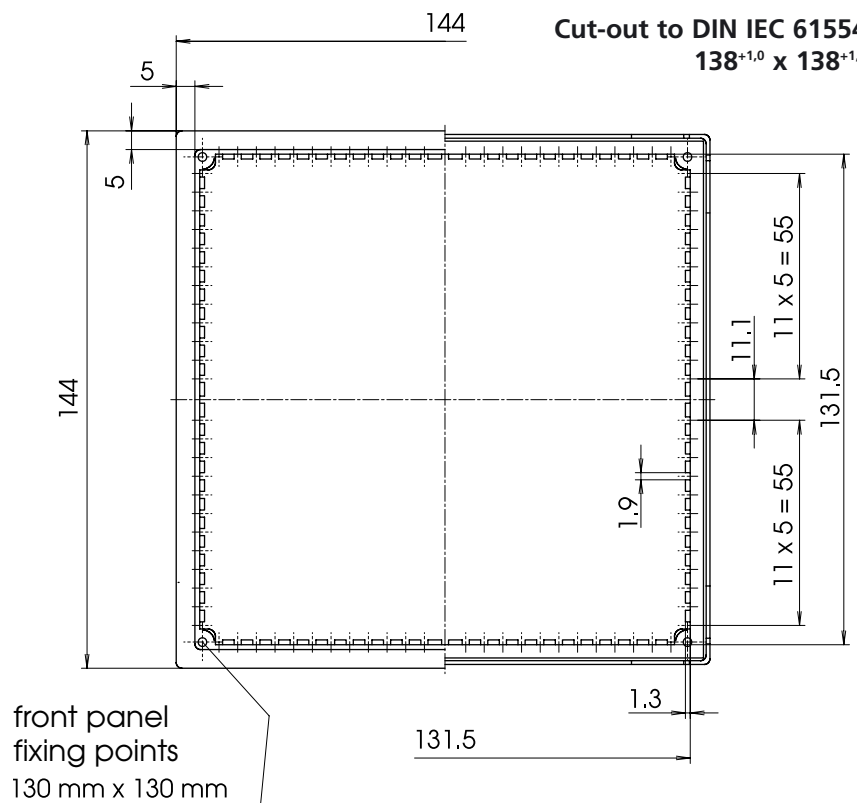
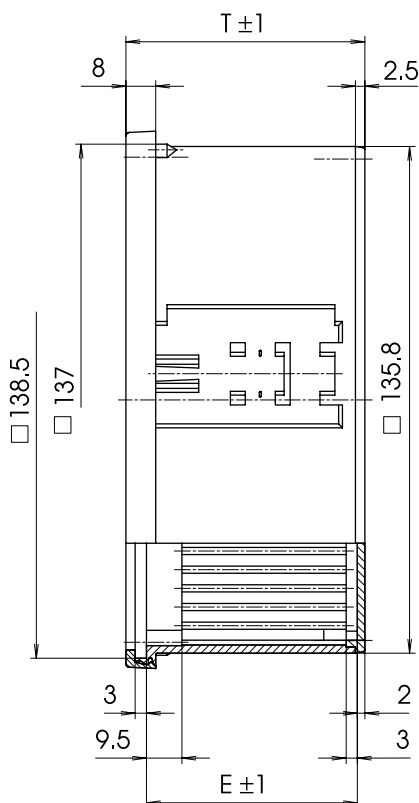
* available on request

Cut-out to DIN IEC 61554
 $92^{+0,8} \times 92^{+0,8}$



Z-2600829

Cut-out to DIN IEC 61554
 $138^{+1,0} \times 138^{+1,0}$



Z-2600830



Uninorm



NGS 9806-GR
(with stepped rear panel)

NGS 9806-GR

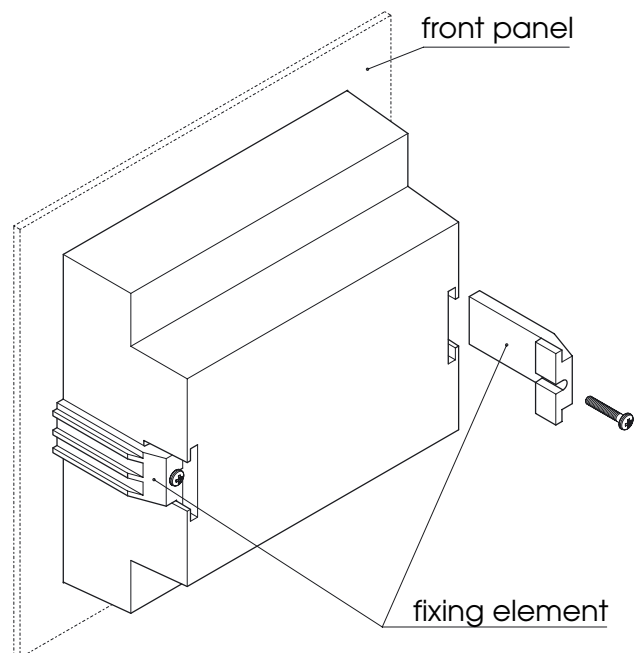
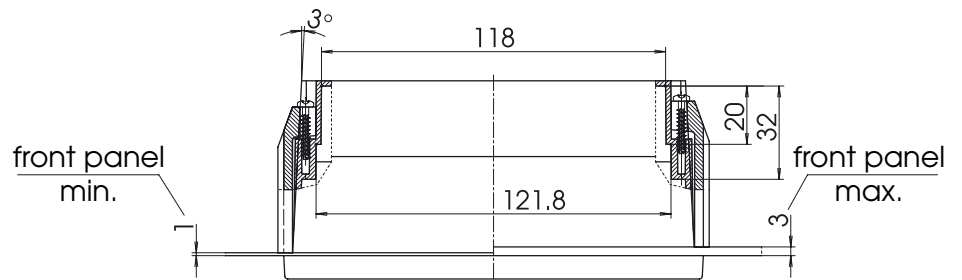
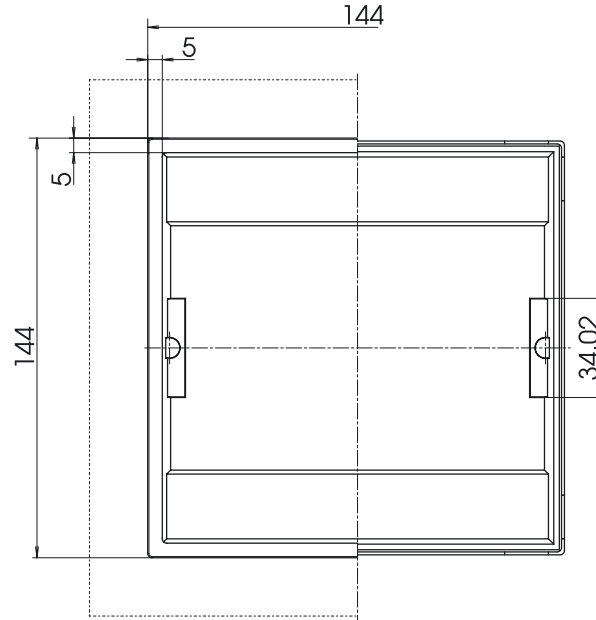
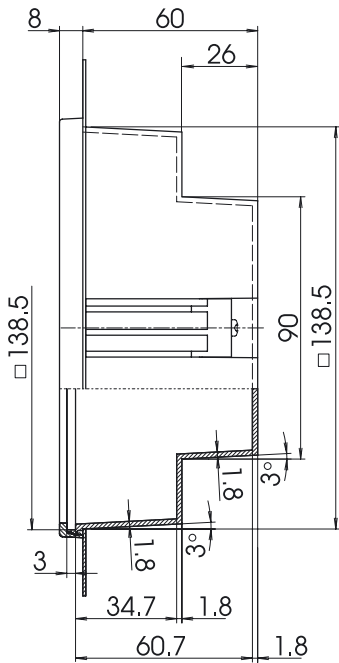
Order designation		External dimensions in mm		
Model	Order-no.	L	W	H
NGS 9806-GR	17980605	144	144	68

Accessories (additional charge)

Model	Order no.
NGS 98 FAE = Front panel alu-anodized, 3 mm thick	37000510
NGS 98 FKT = Front plate, plastic, red translucent, 3 mm thick	37000950
NGS 98 DI = Seal, front panel/enclosure (PU: 5 pieces)	37098010
NGS 98 F = Firmly-latching membrane front	37998500
NGS 98 SA = Firmly-latching front frame	37998600
NGS 98 AH = Clear hood cover	37998700
NGS 98 GHN = Flexible transparent PVC hood	37009800
NGS 98 TK = Front door, lockable with knob	17980000
SHLO-302 = Cylinder catch for front door	21008310

For descriptions and illustrations of accessories, see pages 362-365.

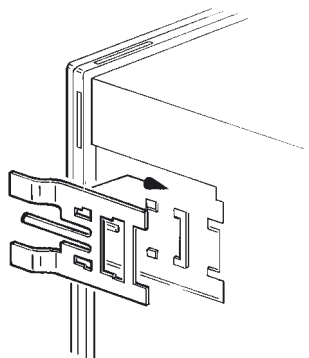
Cut-out to DIN IEC 61554
138^{+1,0} x 138^{+1,0}





Uninorm accessories

NGS spring clamp

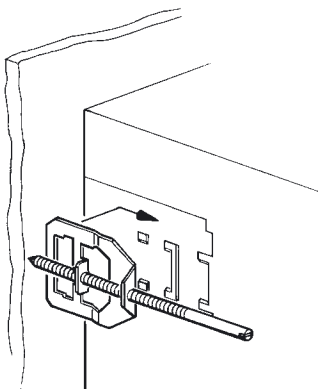


Order designation

Model	Order no.	PU
NGS-NF	37005000	2

The NF spring clamp is snapped onto the external wall of the enclosure and then, with the enclosure, snapped into the control panel cut-out.

NGS screw clamp

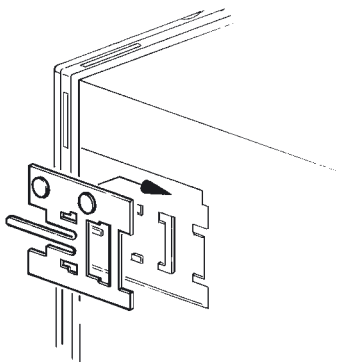


Order designation

Model	Order no.	PU
NGS-NK	37003000	2

The screw clamp is placed on the enclosure from the rear of the control panel. After this, the enclosure is pressed firmly onto the rear wall of the control panel through the integrated screw.

NGS connecting piece

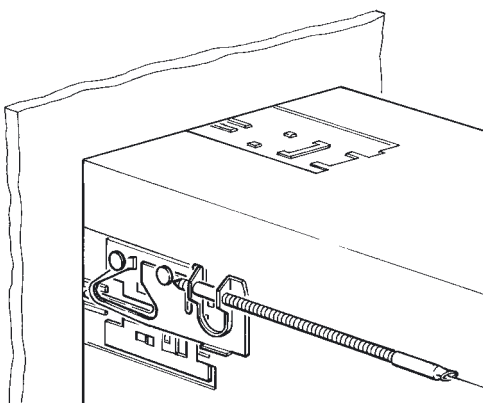


Order designation

Model	Order no.	PU
NGS-ZE	37004000	2

The ZE connecting piece is suitable for use with standard retaining clasps in accordance with DIN 43835.

NGS retaining clasp



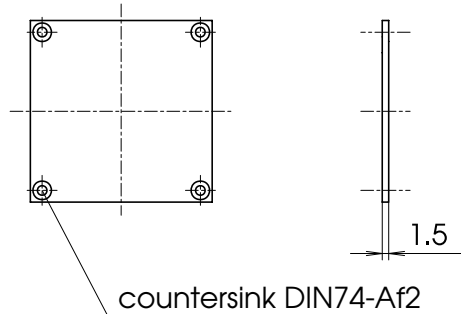
Order designation

Model	Order no.	PU
NGS-NH	37001000	2

Standard retaining clasp in accordance with DIN 43835 form B. Can only be used together with connecting piece NGS-ZE.

This 1.5 mm thick anodized aluminium front panel can be sealed towards the enclosure by means of NGS...DI seals. Take the different panel shapes into account.

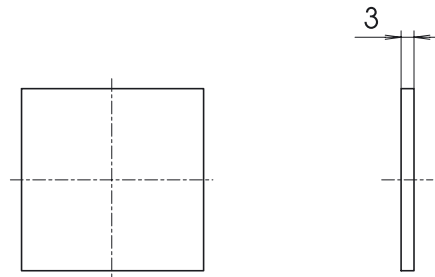
NGS front panel, anodized aluminium



Z-2600851

This 3 mm translucent red plexiglass pane is especially suitable for use with LEDs. Additional sealing is not possible in the case of NGS...DI.

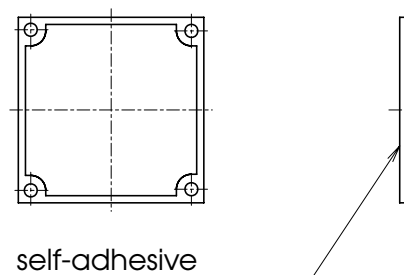
NGS front panel, plastic, red translucent



Z-2600851

The NGS..DI (neoprene foam rubber, 1.5 mm thick) can be used to seal the NGS...FAE front panels towards the interior of the enclosure. Take the different panel shapes into account.

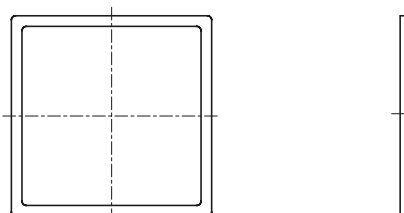
NGS seal DI (non-definable protection category)



Z-2600851

These seals (neoprene foam rubber, 1.5 mm thick) can be used to seal the enclosure in respect of the control panel wall. Here too, take any different panel shapes into account. If necessary, 4 fixing elements can be used to achieve optimal fitting.

NGS seal DA (non-definable protection category)

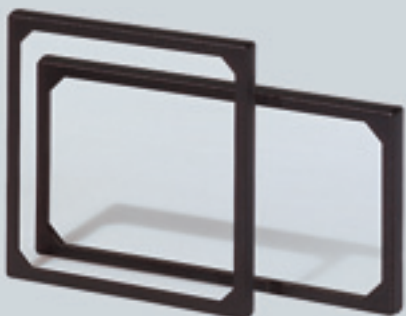


Z-2600851

Uninorm



Firmly latching membrane front to accept membrane keypads, etc.



Firmly latching front frame with corner trim to conceal screws.

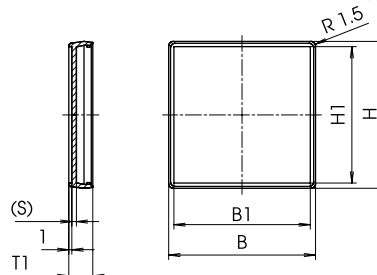


Clear hood cover for placing on the firmly latching front frame NGS-F/SA. Provides simple, effective protection for operating and display elements.

NGS membrane fronts NGS...F

Order designation

Model	Order no.	B	H	T1	S	B1	H1
NGS 48 F	37948500	48.4	48.4	8	1.5	45.1 ^{+0.2} _{-0.1}	45.1 ^{+0.2} _{-0.1}
NGS 74 F	37974500	72.4	144.4	9	2.5	68.1 ^{+0.3} _{-0.2}	140.1 ^{+0.5} _{-0.3}
NGS 77 F	37977500	72.4	72.4	8	1.5	68.1 ^{+0.3} _{-0.2}	68.1 ^{+0.3} _{-0.2}
NGS 94 F	37994500	48.4	96.4	8	1.5	45.1 ^{+0.2} _{-0.1}	92.1 ^{+0.4} _{-0.2}
NGS 96 F	37996500	96.4	96.4	8	1.5	92.1 ^{+0.4} _{-0.2}	92.1 ^{+0.4} _{-0.2}
NGS 98 F	37998500	144.4	144.4	9	2.5	140.1 ^{+0.5} _{-0.3}	140.1 ^{+0.5} _{-0.3}

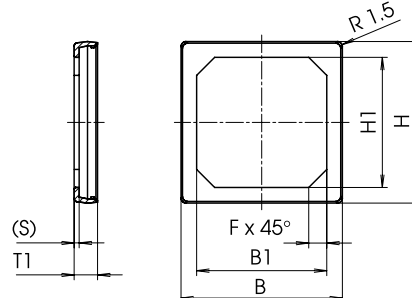


Z-2601268

NGS front frames NGS...SA

Order designation

Model	Order no.	B	H	T1	S	B1	H1	F
NGS 48 SA	37948600	48.4	48.4	7	1.5	39	39	5.40
NGS 74 SA	37974600	72.4	144.4	8	2.5	62	134	6.65
NGS 77 SA	37977600	72.4	72.4	7	1.5	62	62	5.40
NGS 94 SA	37994600	48.4	96.4	7	1.5	38	86	5.40
NGS 96 SA	37996600	96.4	96.4	7	1.5	86	86	5.40
NGS 98 SA	37998600	144.4	144.4	8	2.5	34	134	7.40



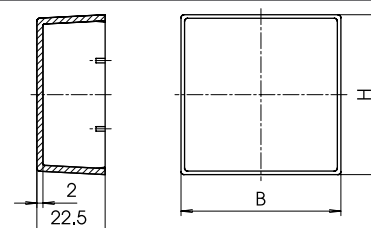
Z-2601268

NGS hood covers

Order designation

Model	Order no.	B	H
NGS 48 AH*	37948700	52.7	52.7
NGS 74 AH*	37974700	76.7	148.7
NGS 77 AH*	37977700	76.7	76.7
NGS 94 AH*	37994700	52.7	100.7
NGS 96 AH*	37996700	100.7	100.7
NGS 98 AH*	37998700	148.7	148.7

* available on request

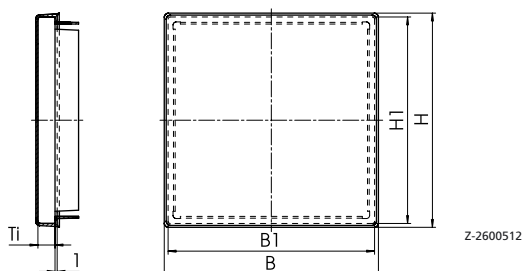


Z-2601268

NGS flexible transparent PVC hoods NGS...GHN

Order designation

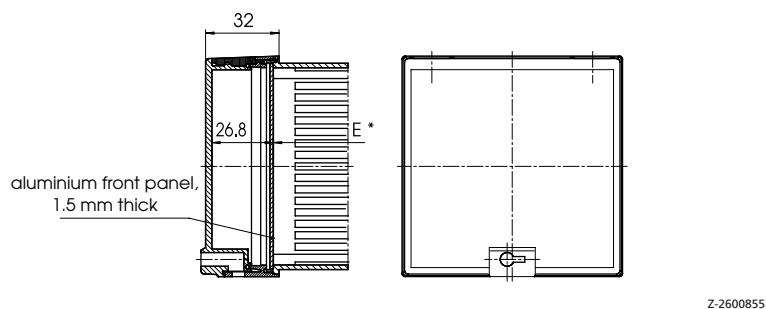
Model	Order no.	B	H	T1	B1	H1
NGS 48 GHN	37004800	54	54	8	48.4	48.4
NGS 74 GHN	37007400	78	150	9	72.4	144.4
NGS 77 GHN	37007700	78	78	8	72.4	72.4
NGS 94 GHN	37009400	54	102	8	48.8	96.4
NGS 96 GHN	37009600	102	102	8	96.4	96.4
NGS 98 GHN	37009800	150	150	9	144.4	144.4



NGS front doors NGS...TK

Order designation

Model	Order no.
NGS 74 TK	17740000
NGS 96 TK	17960000
NGS 98 TK	17980000



NGS cylinder catch for front door

Order designation

Model	Order no.
SHLO-302	21008310



Flexible transparent PVC hoods for DIN IEC 61554 insertion enclosures. Buttons or rocker switches can be operated through the hood. Protection category up to IP 65, depending on assembly.



Front door lockable by means of knob



Cylinder catch for front door