



- Aluminium desktop enclosures for MCR technology
- Various height versions
- Stacking capability using special foot shape
- Contact-uninsulated internal enclosure walls

### Technical data

**Material:**

AISI 12

**Ingress protection:**

IP 40 to EN 60529

**Colour combination:**

Enclosure RAL 7035 light grey / foot elements  
RAL 7024 graphite grey  
or enclosure RAL 9005 black / foot elements  
RAL 3003 ruby red

**Surface resistance:**

Powder coating

**Temperature range:**

-40° to +100°C

#### Included in delivery

Enclosure system with foot/head elements, front plate/rear panel please order separately

# Wavetronic

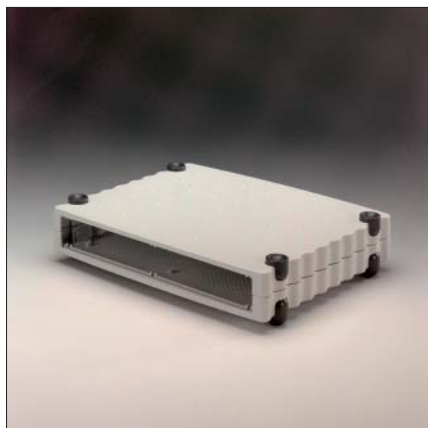
## Programme range

Enclosure type	Order No.	Enclosure ext. dimensions* B x L x H (mm)	Colour combination	Front plate/rear panel (set, 2 pcs.)	Front plate connector area
Wavetronic 1	<b>07.70 01 01</b>	330 x 268 x 54	grey/anthracite	<b>07.70 00 91</b>	292 x 38
Wavetronic 1	<b>07.70 02 01</b>	330 x 268 x 54	black/red	<b>07.70 00 91</b>	292 x 38
Wavetronic 2	<b>07.70 01 02</b>	330 x 268 x 100	grey/anthracite	<b>07.70 00 92</b>	292 x 84
Wavetronic 2	<b>07.70 02 02</b>	330 x 268 x 100	black/red	<b>07.70 00 92</b>	292 x 84
Wavetronic 3	<b>07.70 01 03</b>	330 x 268 x 146	grey/anthracite	<b>07.70 00 93</b>	292 x 130
Wavetronic 3	<b>07.70 02 03</b>	330 x 268 x 146	black/red	<b>07.70 00 93</b>	292 x 130
Wavetronic 4	<b>07.70 01 04</b>	330 x 268 x 192	grey/anthracite	<b>07.70 00 94</b>	292 x 176
Wavetronic 4	<b>07.70 02 04</b>	330 x 268 x 192	black/red	<b>07.70 00 94</b>	292 x 176

\* dimensions without foot elements

## Accessories

Mounting feet (2 pcs.), grey	<b>07.70 00 81</b>
Carrying handle	<b>07.70 00 82</b>
19" insert set (53HP / 3HU)	<b>07.70 00 83</b>



Wavetronic 1



Wavetronic 2

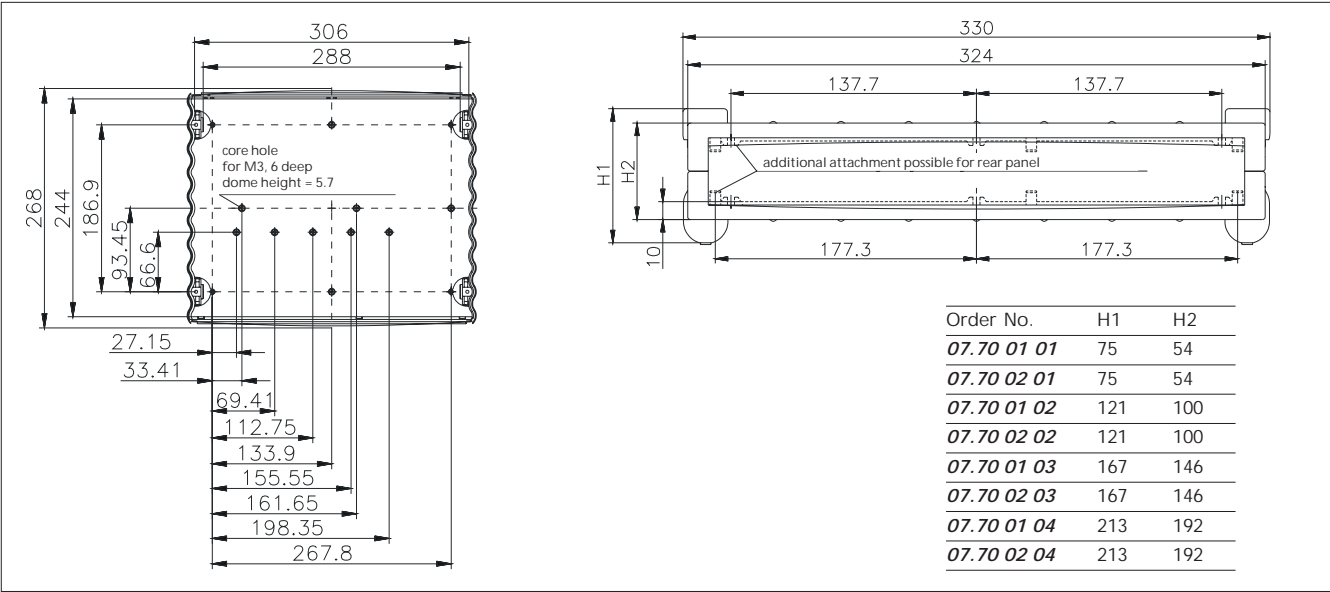


Wavetronic 3



Wavetronic 4

Dimensions



Accessories



Mounting feet

Order No. 07.70 00 81



Handle

Order No. 07.70 00 82



Front plate

Wavetronic 1	07.70 00 91
Wavetronic 2	07.70 00 92
Wavetronic 3	07.70 00 93
Wavetronic 4	07.70 00 94



19" insert set

Order No. 07.70 00 83

# Applications Wavetronic

